



THE NEWFOUNDLAND AND LABRADOR GAZETTE

PART I
PUBLISHED BY AUTHORITY

Vol. 92

ST. JOHN'S, FRIDAY, SEPTEMBER 15, 2017

No. 37

CORPORATIONS ACT

NOTICE

Corporations Act - Section 393
Local Incorporations
For the Month of: April 2017

Date	Number	Company Name	2017-04-05	79237	COW HEAD FRIENDLY 50+ CLUB INC.
2017-04-01	79207	Dr. Shawn Metcalfe Professional Medical Corporation	2017-04-05	79238	KLN HOLDINGS LTD.
2017-04-03	79219	Enerpro Electric Limited	2017-04-05	79228	C & E Fuels Ltd.
2017-04-03	79211	Kinetic Life Solutions Ltd.	2017-04-05	79234	Signal Hill Management Ltd.
2017-04-03	79212	79212 NEWFOUNDLAND & LABRADOR CORP.	2017-04-05	79235	LEEDing Edge Recycling and Manufacturing Ltd.
2017-04-03	79213	The Sexy Vegan Shoppe Inc.	2017-04-05	79236	West Coast Glass & Building Services Ltd.
2017-04-04	79224	79224 NEWFOUNDLAND AND LABRADOR LTD.	2017-04-06	79241	Club One New Releases 3 Co. Ltd.
2017-04-04	79227	79227 NEWFOUNDLAND & LABRADOR LTD.	2017-04-06	79245	EJB Investment Company Ltd.
2017-04-04	79233	79233 NEWFOUNDLAND & LABRADOR INC.	2017-04-06	79249	Evolution Homes Inc.
2017-04-04	79223	Relic Supply Corp.	2017-04-06	79243	G.E.O. Contracting Ltd.
2017-04-04	79231	Robert's Arm Ambulance Service Inc.	2017-04-06	79242	Robert B George CPA Professional Corporation
2017-04-04	79221	79221 NEWFOUNDLAND & LABRADOR CORP.	2017-04-06	79246	SJAELLAND Consulting AS Ltd.
2017-04-04	79222	Dr. Danielle O'Keefe Professional Medical Corporation	2017-04-06	79244	Twillingate Young At Heart 50+ Club Inc.
			2017-04-06	79239	Clarke Cottages Inc.
			2017-04-06	79240	TeTonic Games Inc.
			2017-04-07	79251	Bridle Path Stable Inc.
			2017-04-07	79250	Ground Engaging Training Solutions Inc.
			2017-04-07	79252	Home Grown Hydroponics & Garden Center Inc.
			2017-04-07	79257	TOE OF THE BOOT 50+ CLUB INC.
			2017-04-07	79247	Placentia Wireless Inc.
			2017-04-07	79248	J & A Convenience Ltd.

THE NEWFOUNDLAND AND LABRADOR GAZETTE
September 15, 2017

2017-04-10	79263	7 Steps To Freedom NL Inc.	2017-04-18	79307	ARGENTIA GOLD CORPORATION
2017-04-10	79261	79261 NEWFOUNDLAND & LABRADOR LTD.	2017-04-18	79308	True Strength Inc.
2017-04-10	79268	79268 NEWFOUNDLAND AND LABRADOR LIMITED	2017-04-19	79322	79322 NEWFOUNDLAND AND LABRADOR LIMITED
2017-04-10	79267	Fogo Harbour View Suites Inc.	2017-04-19	79318	D & C Fisheries Ltd.
2017-04-10	79269	RH Investments Limited	2017-04-19	79326	Dr. Melissa Brockerville Professional Medical Corporation
2017-04-10	79258	Dr. Marcus Hancock Professional Medical Corporation Inc.	2017-04-19	79314	DONMAR FISHERIES LTD.
2017-04-10	79262	79262 NEWFOUNDLAND & LABRADOR CORP.	2017-04-19	79315	79315 NEWFOUNDLAND AND LABRADOR LTD.
2017-04-11	79277	79277 NEWFOUNDLAND AND LABRADOR LTD.	2017-04-19	79316	Farrell's Fuels Ltd.
2017-04-11	79276	Eco Electric LTD.	2017-04-19	79317	F. Sharpe Enterprises Ltd.
2017-04-11	79278	Local Service District of Green's Harbour Inc.	2017-04-20	79327	For Your Independence Home & Safety Ltd
2017-04-11	79272	79272 NEWFOUNDLAND & LABRADOR INC.	2017-04-20	79328	GATEWAY SENIOR'S 50 PLUS INC.
2017-04-11	79273	79273 NEWFOUNDLAND & LABRADOR INC.	2017-04-20	79331	John - Rogers Hardware Ltd.
2017-04-11	79274	Murphy's Pharmacies Newfoundland Inc.	2017-04-20	79334	LAR INVESTMENTS LIMITED
2017-04-11	79274	Murphy's Pharmacies Newfoundland Inc.	2017-04-20	79330	Uncharted Seafood Ltd.
2017-04-12	79285	79285 NEWFOUNDLAND & LABRADOR LTD.	2017-04-20	79321	WarrenHart Retail Corp.
2017-04-12	79285	79285 NEWFOUNDLAND & LABRADOR LTD.	2017-04-20	79329	Canadian Supply Base Company, Inc.
2017-04-12	79283	ADJ Financial Services Inc.	2017-04-20	79329	Canadian Supply Base Company, Inc.
2017-04-12	79284	HEALY MASONRY & TILE SERVICES LTD.	2017-04-21	79335	Wild Gros Morne Outdoor Experience Incorporated
2017-04-12	79295	Trout River Funtimers 50+ Seniors Club Inc.	2017-04-21	79336	MJC Distribution Inc.
2017-04-12	79281	79281 NEWFOUNDLAND & LABRADOR INC.	2017-04-21	79337	DMJ Cuisine Incorporated
2017-04-12	79282	THICKWOOD INN RESORT CORPORATION	2017-04-24	79338	Eastern Retriever Fisheries Inc.
2017-04-12	79282	THICKWOOD INN RESORT CORPORATION	2017-04-24	79339	Evolution Farms Inc.
2017-04-13	79297	79297 NEWFOUNDLAND AND LABRADOR INC.	2017-04-24	79340	The Tides Inn Inc.
2017-04-13	79300	ANAGREG HOLDINGS LIMITED	2017-04-24	79341	79341 NEWFOUNDLAND & LABRADOR INCORPORATED
2017-04-13	79289	Lane Group of Companies Inc.	2017-04-25	79355	BP Auto Ltd.
2017-04-13	79290	Shock Free Electrical Inc.	2017-04-25	79350	FOREVER YOUNG 50+ CLUB INC.
2017-04-13	79286	79286 NEWFOUNDLAND AND LABRADOR LTD.	2017-04-25	79362	Freedom Ranch Inc.
2017-04-13	79288	79288 NEWFOUNDLAND & LABRADOR INCORPORATED	2017-04-25	79349	FRENCHMAN'S COVE 50 PLUS CLUB INC.
2017-04-17	79305	HELLCAT FREIGHT SERVICES LTD	2017-04-25	79352	Medaesthetic Cosmetic Clinic Inc.
2017-04-17	79306	Jade RFID Locks Ltd.	2017-04-25	79364	New Visions 50 + Club of C-W-T and Indian Bay Inc.
2017-04-17	79291	LJB Holdings Inc.	2017-04-25	79348	Norris Arm Flying Boat Festival Inc.
2017-04-17	79292	79292 NEWFOUNDLAND & LABRADOR CORP.	2017-04-25	79363	Paradise Junior Piranhas Inc.
2017-04-17	79299	79299 NEWFOUNDLAND AND LABRADOR INC.	2017-04-25	79354	Persistence Theatre Company Inc.
2017-04-17	79303	North Island Farms Ltd.	2017-04-25	79361	Sean Hickey Rentals Ltd.
2017-04-18	79313	Flatrock Fifty Plus Fun Club Inc.	2017-04-25	79353	Sky City Cleaning Inc.
2017-04-18	79312	Mandarin Mart Ltd	2017-04-25	79360	Straits 50+ Club Inc.
2017-04-18	79311	SuTu Simulation Products Incorporated	2017-04-25	79357	VINLAND FUTURES RESEARCH AND DEVELOPMENT CORPORATION
2017-04-18	79304	AMD Design & Contracting Limited	2017-04-25	79342	79342 NEWFOUNDLAND & LABRADOR INC.
			2017-04-25	79345	SLS Holdings Corp.

THE NEWFOUNDLAND AND LABRADOR GAZETTE
September 15, 2017

2017-04-26	79374	A&M Cleaning Services Limited	2017-04-06	48780	MAKKOVIMIUT TRUST INC.
2017-04-26	79369	Molly Homes LTD.	2017-04-06	43784	Paddle Newfoundland and Labrador Inc.
2017-04-26	79368	On The Rock Waste Disposal Inc.	2017-04-07	78838	GIO Holdings Inc.
2017-04-26	79365	Straight Edge Barbers Inc	2017-04-07	74377	Hillview Consulting Limited
2017-04-26	79373	Y & N Fishing Enterprises Inc.	2017-04-07	59680	JUMPING BEAN COFFEE INC.
2017-04-26	79366	JWK Electrical Contracting Inc.	2017-04-07	78939	Villageview Manor INC.
2017-04-27	79382	C & P Bookkeeping and Tax Services Inc.	2017-04-11	70499	GMR Consulting Inc.
2017-04-27	79367	79367 NEWFOUNDLAND & LABRADOR LTD.	2017-04-11	78563	Susan E. Norman Professional Law Corporation
2017-04-27	79375	The Wee Gym Inc.	2017-04-13	78219	ADAMS FINANCIAL SERVICES INC.
2017-04-27	79376	Innu-Inuit MacLean GP Inc.	2017-04-13	73288	Campbell Bros. Enterprises Inc.
2017-04-27	79378	Rock Vapor Inc.	2017-04-13	78189	Shenanigans Pub Ltd.
2017-04-27	79379	F.A.H. Investments Inc.	2017-04-13	18755	St. John's Medical Holdings Limited
2017-04-27	79380	Project SucSeed Inc.	2017-04-17	46881	11205 NFLD. INC.
2017-04-27	79381	Siena Holdings Limited	2017-04-17	72588	72588 NEWFOUNDLAND & LABRADOR LTD.
2017-04-28	79395	79395 NEWFOUNDLAND AND LABRADOR INC.	2017-04-17	74883	Akita Partners Limited
2017-04-28	79392	Clarke's Beach Recreation Commission Inc.	2017-04-17	60999	Miao's Green Farm Inc.
2017-04-28	79396	MAKEvents Creative Planning Inc.	2017-04-17	57710	NLL RECYCLING LTD.
2017-04-28	79391	Yoga on the Rock Inc.	2017-04-18	76775	ETD Holdings Inc.
2017-04-28	79384	DONO MARINE LTD.	2017-04-18	76775	ETD Holdings Inc.
2017-04-28	79385	FORTRESS FISHERIES LTD.	2017-04-18	76530	MNM HOLDINGS LTD.
2017-04-28	79386	Secret Cove Brewing Company Ltd.	2017-04-19	40052	Blundon Holdings Limited
2017-04-28	79387	Desgagnés Atlantik Inc.	2017-04-19	64572	BUSINESS AND ARTS INC.
2017-04-28	79388	Invested Mama Inc.	2017-04-19	52617	DR. GARRY BEST PROFESSIONAL OPTOMETRIC CORPORATION
Total Incorporations: 129			2017-04-19	12917	M & M SAND AND GRAVEL LIMITED
<i>Corporations Act - Section 331</i>			2017-04-19	44023	O M B Parts & Industrial Ltd.
Local Revivals			2017-04-19	70113	Philrobben Janitorial Limited
For the Month of: April 2017			2017-04-19	11447	SCOUTS CANADA (NEWFOUNDLAND AND LABRADOR) PROPERTIES INC.
Date	Number	Company Name			
2017-04-05	15253	BEBB PUBLISHING LIMITED	2017-04-19	29536	SCOUTS CANADA (NEWFOUNDLAND AND LABRADOR) TRUST FOUNDATION INC.
2017-04-13	21125	WEST END CLUB LIMITED			
2017-04-25	15411	Chafe's Auto Supplies Limited			
Total Revivals: 3			2017-04-20	76771	76771 NEWFOUNDLAND AND LABRADOR LIMITED
<i>Corporations Act - Section 286</i>			2017-04-20	40978	LABSEA DATA AND LOGISTICS CORP.
Local Amendments			2017-04-20	12488	NEWFOUNDLAND AND LABRADOR ASSOCIATION OF FIRE SERVICES INC
For the Month of: April 2017			2017-04-20	42652	PENNECON LIMITED
Date	Number	Company Name			
2017-04-01	45546	Howard Motors Inc.	2017-04-21	63287	CUPIDS BOATOWNERS ASSOCIATION INC.
2017-04-01	62812	The Ultimate Driving Company Inc.	2017-04-21	78929	Dr. Lesley Johnston Professional Medical Corporation
2017-04-03	65263	U-TURN DROP IN CENTER CORP.	2017-04-21	76963	Galliot Developments Incorporated
2017-04-04	79110	79110 NEWFOUNDLAND & LABRADOR INC.	2017-04-21	71562	LAR HOLDINGS LIMITED
2017-04-05	73554	Avalon Tech & Tailor Inc			
2017-04-05	78765	BAGT HOLDINGS LIMITED			
2017-04-05	78758	BJEC HOLDINGS LIMITED			

THE NEWFOUNDLAND AND LABRADOR GAZETTE
September 15, 2017

2017-04-25	55262	55262 NEWFOUNDLAND AND LABRADOR INC.	2017-04-18	25688	Careen's Enterprises Limited
2017-04-25	79041	AVERRO ROBOTICS AND TECHNOLOGY INC.	2017-04-18	44900	L.D.S. Fisheries Inc.
2017-04-25	76071	Fudge Holdings Limited	2017-04-18	62977	LA SCIE AMBULANCE SERVICE INC.
2017-04-25	65109	NEWFOUNDLAND/ LABRADOR DART ASSOC. (NDFC) INC.	2017-04-18	62976	Sanamatsiatuk Safety and Industrial Supplies Limited
2017-04-25	74233	Stephenville Minor Soccer Association Inc	2017-04-19	62624	T&R PLAN B HOLDINGS LTD.
2017-04-26	78424	CRS Fishing Enterprises Ltd.	2017-04-20	59489	PM ATLANTIC LTD.
2017-04-27	24174	PMM Holding's Limited	2017-04-21	71815	Eureka Pumps Nfld, Ltd.
2017-04-28	66425	AVALON ANIMAL HOSPITAL (2012) LIMITED	2017-04-25	68684	DICO ENTERPRISES INC.
2017-04-28	76894	MAGNETO ARC INCORPORATED	2017-04-25	30949	Fortune Bay Connaigre Arena Board Inc.
2017-04-28	76753	SNS Holdings Inc.	2017-04-25	34810	PERMOR RETAIL LTD
			2017-04-25	76766	Twilly House, Inc.
			2017-04-26	53767	KAY'S DOLLAR AND DISCOUNT INCORPORATED

Total Amendments: 53

Corporations Act - Section 335
Local Dissolutions
For the Month of: April 2017

Date	Number	Company Name
2017-04-04	76856	76856 NEWFOUNDLAND & LABRADOR INC.
2017-04-04	17509	FIREPLACE SYSTEMS LIMITED
2017-04-04	56158	YACHT CONSULTANTS INTERNATIONAL INC.
2017-04-05	41643	10779 Nfld. Limited
2017-04-05	59196	FOOD EDUCATION ACTION ST. JOHN'S INC.
2017-04-05	70040	Oversight Management Solutions By Design Inc.
2017-04-06	76739	VETERAN TRAVEL ASSISTANCE PROGRAM INC.
2017-04-10	58181	58181 NEWFOUNDLAND AND LABRADOR LIMITED
2017-04-10	37228	Gords Auto Service Ltd.
2017-04-10	64547	JC PRINTING, INC
2017-04-11	75623	Stefanie Smith Ceramics Inc.
2017-04-12	37705	Ackerman's Fine Foods Inc.
2017-04-12	74350	HomeShare Newfoundland and Labrador Inc.
2017-04-12	64080	SELECT REALTY LIMITED
2017-04-13	66212	66212 NEWFOUNDLAND & LABRADOR LIMITED
2017-04-13	13410	HANN'S GRAVEL PIT AND LANDS INC.
2017-04-13	6019	Metro General Insurance Corporation Limited
2017-04-17	77211	J. L. POWERLINES LTD.
2017-04-18	58351	58351 NEWFOUNDLAND AND LABRADOR INC.
2017-04-18	58180	AVALON INFORMATION MANAGEMENT SECURITY INC.

2017-04-26	64980	MulJack Enterprises Ltd.
2017-04-27	7553	F. C. BUDGELL LIMITED
2017-04-27	43939	LOPRINZI ENTERPRISES, INC.
2017-04-28	38748	Sweet Temptations Ltd.
2017-04-30	72468	Dr. Curtis White Dentistry Inc.

Total Dissolutions: 37

Corporations Act - Section 299
Local Discontinuances
For the Month of: April 2017

Date	Number	Company Name
2017-04-18	74694	Baffin Industrial and Marine/FTSO Ltd.

Total Discontinuances: 1

Corporations Act - Section 294
Local Amalgamations
For the Month of: April 2017

Date	Number	Company Name
2017-04-01	79206	B & D Investments Inc.
From:	65655	B & D INVESTMENTS INC.
	41589	PATRICK O'NEILL CONSULTANT INC.
2017-04-01	79216	Churchill Square Holdings Limited
From:	38081	Bears Cove Realty Ltd.
	37934	Churchill Square Holdings Limited
2017-04-01	79209	COAST BROADCASTING LTD.
From:	76151	76151 NEWFOUNDLAND & LABRADOR LIMITED
	47981	Coast Broadcasting Ltd.

THE NEWFOUNDLAND AND LABRADOR GAZETTE
September 15, 2017

2017-04-01	79218	Dr. Jeffrey Wells Professional Dental Corporation	76775		ETD Holdings Inc.
From:	45047	45047 NEWFOUNDLAND AND LABRADOR LIMITED	2017-04-18	From:	76775 NEWFOUNDLAND AND LABRADOR LIMITED
	77408	Dr. Jeffrey Wells Professional Dental Corporation	76530		MNM HOLDINGS LTD.
			2017-04-18	From:	VP Electrical Ltd.
2017-04-01	79205	Krown Property Investments Inc.	79041		AVERRO ROBOTICS AND TECHNOLOGY INC.
From:	66505	DWF HOLDINGS LTD.	2017-04-25	From:	Attain Robotics and Technology Inc.
	69161	KROWN PROPERTY INVESTMENTS INC.			
2017-04-01	79208	Olympic Construction Limited	76894		MAGNETO ARC INCORPORATED
From:	41672	DOBBIN HOLDING CORPORATION	2017-04-28	From:	76894 NEWFOUNDLAND AND LABRADOR INC.
	69016	OCL CONSTRUCTION LIMITED			
	69826	OLYMPIC CONSTRUCTION LIMITED			
Total Name Changes: 7					
<i>Corporations Act - Section 443</i>					
Extra-Provincial Registrations					
For the Month of: April 2017					
2017-04-01	79214	Skyway Steel Limited	Date	Number	Company Name
From:	55244	SKYWAY RENTAL LIMITED	2017-04-04	79226	2177420 ONTARIO INC.
	27124	SKYWAY STEEL LIMITED	2017-04-04	79225	SALTWIRE NETWORK INC.
2017-04-01	79204	Talon Energy Services Inc.	2017-04-04	79230	THE CANADIAN BAR INSURANCE ASSOCIATION
From:	61695	RAVENCOR PROJECTS INC.			L'ASSOCIATION D'ASSURANCES DU BARREAU CANADIEN
	74611	Talon Energy Services Inc.			THE WAWANESA MUTUAL INSURANCE COMPANY
2017-04-07	79256	Lakeside Convenience Store Limited			LA COMPAGNIE MUTUELLE D'ASSURANCE WAWANESA
From:	78454	JBW Holdings Ltd.	2017-04-04	79229	8447632 CANADA INC.
	32525	Lakeside Convenience Store Limited			SEVEN SEAS CO., LTD.
2017-04-30	79389	71825 Newfoundland and Labrador Inc.	2017-04-10	79266	Horizon Maritime Administrative Services Ltd.
From:	71758	71758 NEWFOUNDLAND AND LABRADOR INC.	2017-04-10	79270	MILLER TIRE INC.
	71825	71825 NEWFOUNDLAND AND LABRADOR INC.	2017-04-10	79265	NON-TYPICAL SAFETY CONSULTING INC.
Total Amalgamations: 10			2017-04-11	79280	F45 Training Canada Limited
<i>Corporations Act - Section 286</i>			2017-04-11	79287	KILOTECH CONTRÔLE (1995) INC.
Local Name Changes			2017-04-11	79275	ROMEZ ELECTRO GENERATION CORP.
For the Month of: April 2017			2017-04-11	79279	Romspen Investment Corporation
Number		Company Name	2017-04-13	79293	CORESTATES, INC.
78939		Villageview Manor INC.	2017-04-13	79294	MEDICAL FUTURES INC.
2017-04-07	From:	West End Property Management Inc.	2017-04-13	79298	NEW FOUND GOLD CORP.
74883		Akita Partners Limited	2017-04-13	79296	Nordia Inc.
2017-04-17	From:	Falcon Global Partners Limited	2017-04-13	79301	Reefer Sales & Service (Toronto) Incorporated
60999		Miao's Green Farm Inc.	2017-04-18	79309	CORNERSTONE INVESTMENT COUNSEL LTD.
2017-04-17	From:	NEWFOUNDLAND RUBBER & TIRE RETREADING LIMITED			

THE NEWFOUNDLAND AND LABRADOR GAZETTE
September 15, 2017

2017-04-18	79310	Kensington Estates Retirement Home Inc.	74130		Match MG Field Canada Inc.
2017-04-19	79323	eunoia consulting group incorporated	2017-04-17	From:	Match Converge Inc.
2017-04-19	79324	NORREP 2017 MANAGEMENT INC.	76360		AIME FINANCIAL GROUP INC.
2017-04-19	79320	Rise People Inc.	2017-04-18	From:	BESURANCE INSURANCE AGENCY INC.
2017-04-19	79319	STATOIL MARKETING & TRADING (US) INC.	79325		TFORCE FINAL MILE CANADA INC.
2017-04-20	79332	ANTARES INVESTMENT MANAGEMENT, INC.	2017-04-19	From:	DYNAMEX CANADA LIMITED
2017-04-20	79333	TOTAL CANADA INC.			
2017-04-21	79343	2567263 ONTARIO INC.			
2017-04-25	79356	Gray Construction, Inc.	78303		Wellington-Altus Insurance Inc.
2017-04-25	79359	JOHN TIEDEMANN HISTORIC RESTORATION, INC.	2017-04-21	From:	9965661 Canada Ltd.
2017-04-26	79370	LifeNet Health Canada, Inc.	66973		WELLINGTON - ALTUS PRIVATE WEALTH INC.
2017-04-26	79371	Shorefast Social Enterprises Inc.	2017-04-26	From:	ALTUS SECURITIES INC.
2017-04-27	79383	2554049 ONTARIO INC.			
2017-04-27	79377	SIADVISERS CONSULTING & SOLUTIONS INC.	6796F		Canada Jetlines Ltd.
2017-04-28	79397	KAPUSKASING GOLD CORP.	2017-04-28	From:	JET METAL CORP.
2017-04-28	79400	Total Access Solutions Corp. (TASC)	78793		PELMOREX CORP.
			2017-04-28	From:	PELMOREX MEDIA INC.

Total Name Changes: 11

Total Registrations: 35

Corporations Act - Section 451
Extra-Provincial Name Changes
For the Month of: April 2017

Corporations Act - Section 294
Extra-Provincial Registrations for Amalgamation
For the Month of: April 2017

Number	Company Name	Date	Number	Company Name
6236F	CITIFINANCIAL CANADA EAST CORPORATION	2017-04-04	79232	Match MG Canada Inc.
2017-04-07	From: CITIFINANCIAL CANADA EAST ULC	From:	74129	Match Action Inc.
6236F	CITIFINANCIAL CANADA EAST ULC	2017-04-06	79253	CANADA-REPORTS, ULC
2017-04-07	From: CITIFINANCIAL CANADA EAST ULC	From:	69907	CANADA-REPORTS, ULC
66568	CITIFINANCIAL CANADA, INC.	2017-04-07	79271	FAIRSTONE FINANCIAL INC. / FAIRSTONE FINANCIERE INC.
2017-04-07	From: CITIFINANCIAL CANADA, INC.	From:	6236F	CITIFINANCIAL CANADA EAST CORPORATION
2017-04-07	From: CITIFINANCIÈRE CANADA, INC.		66568	CITIFINANCIAL CANADA, INC.
78489	E.I. DU PONT CANADA COMPANY/LA COMPAGNIE E.I. DU PONT CANADA	2017-04-07	79260	Hub International Manitoba Limited
2017-04-07	From: 3301873 NOVA SCOTIA COMPANY	From:	75960	HUB INTERNATIONAL MANITOBA LIMITED
		2017-04-10	79264	Andritz Hydro Canada Inc.
		From:	77174	Andritz Hydro Canada Inc.

2017-04-12	79302	MANULIFE TRUST COMPANY SOCIÉTÉ DE FIDUCIE MANUVIE	2017-04-21	79344	The Bell Telephone Company of Canada or Bell Canada La Compagnie de Téléphone Bell du Canada ou Bell Canada
From:	62563	MANULIFE TRUST COMPANY SOCIÉTÉ DE FIDUCIE MANUVIE	From:	56202	THE BELL TELEPHONE COMPANY OF CANADA OR BELL CANADA LA COMPAGNIE DE TÉLÉPHONE BELL DU CANADA OU BELL CANADA
	3102D	Manulife Trust Services Limited Services Fiduciaires Manuvie Limitée			
2017-04-19	79325	TFORCE FINAL MILE CANADA INC.	2017-04-25	79358	HDR ARCHITECTURE ASSOCIATES, INC.
From:	67138	DYNAMEX CANADA LIMITED	From:	60788	HDR ARCHITECTURE ASSOCIATES, INC.
2017-04-20	79347	Blue Country Insurance Ltd.	2017-04-26	79372	EXP SERVICES INC. LES SERVICES EXP INC.
From:	55035	HEALTHPRO (2006) INC.	From:	70139	EXP SERVICES INC. LES SERVICES EXP INC.
2017-04-21	79351	The Bell Telephone Company of Canada or Bell Canada La Compagnie de Téléphone Bell du Canada ou Bell Canada	2017-04-28	79398	Action Car and Truck Accessories Inc.
From:	79346	The Bell Telephone Company of Canada or Bell Canada La Compagnie de Téléphone Bell du Canada ou Bell Canada	From:	69985	ACTION FIBERGLASS & MANUFACTURING LTD.
2017-04-21	79346	The Bell Telephone Company of Canada or Bell Canada La Compagnie de Téléphone Bell du Canada ou Bell Canada	2017-04-28	79399	INSTRUMENTATION LABORATORY (CANADA) LTD.
From:	64306	MTS INC.	From:	68697	INSTRUMENTATION LABORATORY (CANADA) LTD.
79344	The Bell Telephone Company of Canada or Bell Canada La Compagnie de Téléphone Bell du Canada ou Bell Canada		Total Registrations for Amalgamation: 15		
					SERVICE NL Dean Doyle, Registrar of Companies
Sept 15					

EMBALMERS AND FUNERAL DIRECTORS ACT, 2008

NOTICE

The following is a list of names and addresses of Funeral Homes to whom licenses and permits have been issued under the *Embalmers and Funeral Directors Act, 2008*, SNL2008 cE-7.1, as amended.

Embalmers and Funeral Directors Board of NL - Customer List as of 08/16/2017

Name	Street Address	City	Province	Postal Code
Barrett's Funeral Home Mt. Pearl	73 Commonwealth Avenue	Mount Pearl	NL	A1N 1W7
Barrett's Funeral Home St. John's	328 Hamilton Avenue	St. John's	NL	A1E 1J9
Bishop's Falls Funeral and Cremation Services	45 Union Street	Grand Falls-Windsor	NL	A2A 2C9
Blundon's Funeral Home-Clareville	8 Harbour Drive	Clareville	NL	A5A 4H6
Botwood Funeral Home	147 Commonwealth Drive P. O. Box 202	Botwood	NL	A0H 1E0
Broughton's Funeral Home	P. O. Box 14	Brigus	NL	A0A 1K0
Carnell's Funeral Home Ltd.	P. O. Box 8567 329 Freshwater Road	St. John's	NL	A1B 3P2

THE NEWFOUNDLAND AND LABRADOR GAZETTE
September 15, 2017

Caul's Funeral Home St. John's	P. O. Box 2117	St. John's	NL	A1C 5R6
Caul's Funeral Home Torbay	P. O. Box 2117	St. John's	NL	A1C 5R6
Central Funeral and Cremation Services	45 Union Street	Grand Falls-Windsor	NL	A2A 2C9
Coomb's Funeral Home	P. O. Box 267	Placentia	NL	A0B 2Y0
Country Haven Funeral Home	167 Country Road	Corner Brook	NL	A2H 4M5
Don Gibbons Enterprises Ltd.	P. O. Box 424	St. Mary's	NL	A0B 3B0
Dunphy's Funeral Home	P. O. Box 56	Holyrood	NL	A0A 2R0
East Haven Funeral Home Inc.	P. O. Box 940	Port Aux Basques	NL	A0M 1C0
	57 Grand Bay Road			
Fahey's Funeral Home-Fermeuse	General Delivery	Fermeuse	NL	A0A 2G1
Fahey's Funeral Home-Trepassey	General Delivery	Fermeuse	NL	A0A 2G1
Families Funeral Home	P. O. Box 309	Lewisporte	NL	A0G 3A0
	9 Forward Drive			
Fewer's Funeral Home-Arnolds Cove	299 Memorial Drive	Clareville	NL	A5A 1R6
Fewer's Funeral Home-Clareville	299 Memorial Drive	Clareville	NL	A5A 1R6
Fewer's Funeral Home-L. H. Ease	299 Memorial Drive	Clareville	NL	A5A 1R6
Fewer's Funeral Home-Lethbridge	299 Memorial Drive	Clareville	NL	A5A 1R6
Fillatre's Funeral Home, Corner Br	218 Curling Street	Corner Brook	NL	A2H 3J4
Fillatre's Funeral Home, Deer Lake	218 Curling Street	Corner Brook,	NL	A2H 3J4
Fillatre's Funeral Home, HV/GB	218 Curling Street	Corner Brook	NL	A2H 3J4
Fillatre's Funeral Home, Mark's Ave	218 Curling Street	Corner Brook	NL	A2H 3J4
Fillatre's Stephenville Xing	218 Curling Street	Corner Brook	NL	A2H 3J4
Fillatre's, Port Au Choix	218 Curling Street	Corner Brook	NL	A2H 3J4
Fillatre's, Port Aux Basques	218 Curling Street	Corner Brook	NL	A2H 3J4
Flaherty's Memorial Funeral Home	P. O. Box 193	Conception Harbour	NL	A0A 1Z0
Fogo Island Funeral Home	P.O. Box 13	Joe Batts Arm	NL	A0G 2X0
Green Bay Funeral Home	145 Cpl. S. Bouzaine Blvd.	Springdale	NL	A0J 1T0
Green's Funeral Home	P. O. Box 138	Winterton	NL	A0B 3M0
Hickey's Funeral Home-Kelligrews	P. O. Box 419	Holyrood	NL	A0A 2R0
Holloway's Funeral Home	P. O. Box 42	Whitbourne	NL	A0B 3K0
Hopkin's Funeral Home-N. Bay	P. O. Box 262	Old Perlican	NL	A0A 3G0
Hopkin's Funeral Home-Old Perlican	P. O. Box 262	Old Perlican	NL	A0A 3G0
Hoskins' Funeral Home-B. Falls	P. O. Box 189	Bishop's Falls	NL	A0H 1C0
Hoskins' Funeral Home-Botwood	P. O. Box 189	Bishop's Falls	NL	A0H 1C0
Hoskins' Funeral Home-GF/Windsor	P. O. Box 189	Bishop's Falls	NL	A0H 1C0
Hynes' Coast of Bays Funeral Home	P. O. Box 44	St. Alban's	NL	A0H 2E0
Isles Funeral Home Ltd.	P. O. Box 189	Twillingate	NL	A0G 4M0
	2 Whitehorse's Hill			
James J. Hickey Mem. Funeral Home	P. O. Box 419	Holyrood	NL	A0A 2R0
K. M. Fillatre Funeral Home-Rdktn	P. O. Box 604	St. Anthony	NL	A0K 4S0
K.M.Fillatre Funeral Home-St. Atny	P. O. Box 604	St. Anthony	NL	A0K 4S0
Kittiwake Funeral Home	P. O. Box 39	Wesleyville	NL	A0G 4R0
Kittiwake Funeral Home-Musgrave Hbr	P. O. Box 39	Wesleyville	NL	A0G 4R0
Lynch's Funeral Home Ltd.-Spaniard's Bay	P. O. Box 14	Spaniard's Bay	NL	A0A 3X0
	95 Brazil's Hill			
Maher's Funeral Home	P. O. Box 290	Freshwater	NL	A0B 1W0
Moore's Funeral Home	P. O. Box 429	Clarke's Beach	NL	A0A 1W0
Moore's Funeral Home-Bay Roberts	P. O. Box 429	Clarke's Beach	NL	A0A 1W0
New World Island Funeral Home	P. O. Box 360	Summerford	NL	A0G 4E0
Noel's Funeral Home-Carbonear	106 Water Street	Carbonear	NL	A1Y 1A9
Noel's Funeral Home-Hbr Grace	P. O. Box 1001	Harbour Grace	NL	A0A 2M0
Noel's Funeral Home-Western Bay	P. O. Box 1001	Harbour Grace	NL	A0A 2M0
Oram's Funeral Home	P. O. Box 10	Glovertown	NL	A0G 2L0
Oram's Funeral Home-Dover	P. O. Box 10	Glovertown	NL	A0G 2L0
Parson's Funeral Home	63 North Main Street	Deer Lake	NL	A8A 1X1
Pendergast's Funeral Home	P. O. Box 906	Bell Island	NL	A0A 4H0
Peninsula Funeral Home-Creston South	P. O. Box 548	Marystown	NL	A0E 2M0
Penney's Funeral Home	P. O. Box 385	Labrador City	NL	A2V 2K6
	620 Hudson Drive			
Pritchett's Funeral Home	P. O. Box 796	Gambo	NL	A0G 1T0
Russell's Funeral Home-Pr. Rupert	P. O. Box 463	Stephenville	NL	A2N 2Z5
	57 Prince Rupert Drive			

Russell's Funeral Home-Steph.Xing	1 Station Road	Stepheville Crossing	NL	A2N 2Y9
Ryan's Funeral Services Ltd.	P. O. Box 306	Bay Bulls	NL	A0A 1C0
Serenity Funeral Home-Burin	P. O. Box 429	Burin Bay Arm	NL	A0E 1G0
	95 Main Street			
Sincerely Yours Funeral Home Limited	P. O. Box 270	New -Wes -Valley	NL	A0G 4R0
	50 Main Street			
Sincerely Yours-Centreville	421 Pickersgill Blvd	Centreville	NL	A0G 4P0
Slade's Funeral Home-Bay Roberts	P. O. Box 324	Carbonear	NL	A1Y 1B7
Slade's Funeral Home-Upper Island Cove	P. O. Box 324	Carbonear	NL	A1Y 1B7
Slade's Memorial Services Ltd.	P. O. Box 324	Carbonear	NL	A1Y 1B7
Spencer's Funeral Home	P. O. Box 248	Harbour Breton	NL	A0H 1P0
Spencer's Funeral Home-St. Alban's	P. O. Box 248	Harbour Breton	NL	A0H 1P0
Springdale Funeral and Cremation Services	45 Union Street	Grand Falls-Windsor	NL	A2A 2C9
Squire's Funeral Home	P. O. Box 10	Glovertown	NL	A0G 2L0
Stacey's Funeral Home Gander	P. O. Box 539	Gander	NL	A1V 2E1
Stacey's Funeral Home-Carmanville	P. O. Box 539	Gander	NL	A1V 2E1
Strathie's Funeral Home	P. O. Box 305	Bonavista	NL	A0C 1B0
Strathie's Funeral Home-Catalina	P. O. Box 305	Bonavista	NL	A0C 1B0
Sunset Memorial Funeral Home	10 Bayley Street	Grand Falls-Windsor	NL	A2A 2T5
TTVAFuneral Services Wiseman's-Gr Bank	P. O. Box 548	Marystown	NL	A0E 2M0
Vardy's Funeral Home	P. O. Box 69	Hickman's Harbour	NL	A0C 1P0
Warren's Funeral Home-Dildo	P. O. Box 123	Dildo	NL	A0B 1P0
Wimbleton's Funeral Home	22 Main Street	Baie Verte	NL	A0K 1B0
	P. O. Box 549			
Wiseman's Funeral Home-Burin	P. O. Box 548	Marystown	NL	A0E 2M0
Wiseman's Funeral Home-Fortune	P. O. Box 548	Marystown	NL	A0E 2M0
Wiseman's Funeral Home-Marystown	P. O. Box 548	Marystown	NL	A0E 2M0
Woolfrey, Gordon Funeral Home	P. O. Box 340	Lewisporte	NL	A0G 3A0
	262 Main Street			

Number of Customers listed: 88 - Generated On: 08/16/2017

EMBALMERS AND FUNERAL DIRECTORS BOARD
OF NEWFOUNDLAND AND LABRADOR
Valda Pitcher, Office Secretary

Sept 15

NOTICE

The following is a list of names of Funeral Directors to whom licenses and permits have been issued under the *Embalmers and Funeral Directors Act, 2008*, SNL2008 cE-7.1, as amended.

Embalmers and Funeral Directors Board of NL - Customer List as of 08/16/2017

Anderson, Lisa D.	Fillatre, Laura	Lomond, Geoffrey
Andrews, Darrin W.	Fillatre, Levinia	Mercer, Wayne
Barrett, Robert R.	Fillatre, Margaret	Moore, Clarence L. E.
Barry, Ann Marie	Gibbons, George	Moore, Lisa
Broughton, Kenneth	Gibbons, Jean M.	Moore-Reid, Clarice
Brown, Holly	Goodyear, Sheila	Morgan, Chris
Bulgin, Andrea	Hancock, Gail	Newport, Ellison
Carnell, Geoffrey	Hansford, Christopher	Noel, Jonathan
Chafe, Brooke	Hansford, Kimberley	Oates, Mark
Chaulk, David	Hickey, Jamie N.	Oram, Dawson
Coombs, Andrew	Holloway, Ruby	Oram, Elizabeth
Coombs, Jeanette	Hopkins, Carl	Oram, Karen P.
Fahey, Esther	Hopkins, William	Oram, Paul
Fahey, Gerald K.	Hoskins, Debi	Oxford, Harry
Farr, Harley K.	Hulan, Amanda H.	Parsons, Brenda D.
Farr, Kimberly D.	Kelly, Florence M.	Peach, Milton L.

Pendergast, John F.
Rideout, Elaine M.
Ridgley-MacDonald, Denise
Russell, Amanda
Short, Justin
Slade, Elizabeth

Slade, Ross
Squires, Josephine
Stockley, Catherine J.
Vanzuylen, Sherrie
Vardy, Arthur R.
Vardy, Doris

Warren, G. Paul
Warren, Gerald
Warren, Wynn Anne
Wimbleton-Butt, Lisa
Wiseman, Tammy

Number of Customers listed: 65 - Generated On: 08/16/2017

EMBALMERS AND FUNERAL DIRECTORS BOARD
OF NEWFOUNDLAND AND LABRADOR
Valda Pitcher, Office Secretary

Sept 15

NOTICE

The following is a list of names of Embalmers and Funeral Directors to whom licenses and permits have been issued under the *Embalmers and Funeral Directors Act, 2008*, SNL2008 cE-7.1, as amended.

Embalmers and Funeral Directors Board of NL - Customer List as of 08/16/2017

Abbott, Brent
Anderson, John F.
Anderson, John N.
Anderson, Robert
Andrews, Jessica M.
Avery, Edison F.
Barrett, Colin
Barrett, Susan
Barrington, Martin
Belbin, Giselle
Bishop, Derek
Blackler, Brandon
Blundon, Lorraine
Boyd, Rhonda
Broughton, Wayne S.
Brown, Rebecca
Buffett, Nathan
Burke, Amy
Burry, Amy
Chambers, Sherilee
Chislett, Tracey
Collier, Sarah
Coombs, Francis
Coombs, Thomas
Crann, Shawn
Cunning, Baden
Currie, Amanda
Currie, Jennifer
Doody, Lisa Marie
Dowden, Peter
Dunphy, Barbara
Dunphy, Kenneth
Ebukwe, Siobhan
Eddy, Roger W.
Fahey, Gerald P.
Fahey, Justin
Farr, Thomas S.
Fewer, Desmond
Fewer, Robert
Fillatre, A. Maxwell
Fillatre, Ernest

Fillatre, Keith W.
Fitzgerald, Matthew
Flaherty, Joseph
Flood, Raymond F.
Foster, Mark
Goodyear, Kenneth
Goodyear, Michael T.
Green, Andrew
Green, Donald
Green, Terry P.
Hanna, Orry
Hickey, Andrew
Hickey, James
Hill-Scammell, Nova Lee
Hodder, Jeffrey
Holloway, Garry
Holloway, Mindy
Hoskins, Paul L.
Howe, Jonathan
Hulan, Jason
Hynes, Sheldon
Ivany, Maxine
Kean-Simms, Paula
Keats, Garry
Kieley, Darren
Lane, Erin
Lannon, Vanessa
Legge, Eric (Rick)
Lewis, Carol Ann
Lewis, Marcia
Loveridge, Julianne
Lynch, Wayne
Maher, Paul
Maidment, James
Martin, Morgan
McCormick, Paula
McGrath, Michelle
Mercer, Michael
Mooney, David
Moore, Alice D.
Moore, Carl R.

Mouland, Shane
Mouland, Tracy
Nippard, Lee
Nippard, Nathan
Noel, Kenneth E.
Oliver, Mark
Oram, Zach
Parsons, David E.
Parsons, Debra
Parsons, Dwayne S.
Pender, Jennifer
Penney, John F.
Power, Damian
Pritchett, Kevin D.
Quinton, Rodney
Roberts, Renetta
Roche, Edward
Ruelokke, Beatrice
Russell, Keith R.
Ryan, Andrew
Ryan, Brandon
Ryan, Joseph
Skiffington, Pamela
Slade, Edward
Slade-Kennedy, Krista
Slade-Ryan, Katherine
Spencer, Creston
Spracklin, Danielle
Stack, Wanda
Strathie, Robert R.
Tizzard, Shawn
Trenchard, Barry
Wade, Daryl R.
Warren, Craig C.
Warren, Shirley G.
Weeks, William J.
Whalen, Krista
White, Connie E.
Wimbleton, Eddie
Wiseman, Terry
Woolfrey, Gordon J. G.

Number of Customers listed: 123 - Generated On: 08/16/2017

EMBALMERS AND FUNERAL DIRECTORS BOARD
OF NEWFOUNDLAND AND LABRADOR
Valda Pitcher, Office Secretary

Sept 15

LANDS ACT

NOTICE OF INTENT, SECTION 7 LANDS ACT, SNL1991 c36 AS AMENDED

NOTICE IS HEREBY given that an application has been made to the Department of Fisheries and Land Resources, Agriculture and Lands Branch, to acquire title, pursuant to Section 7(2) (d) of the said Act, to that piece of Crown lands situated within 15 metres of the waters of Rattler Brook, Little Bay for the purpose of a boat house.

The application may intrude on the 15 metre shoreline of the above mentioned water body(s) in various locations. For a detailed map, please see website: <http://www.ma.gov.nl.ca/lands/sec7notifications.html>.

Please note: It may take up to five (5) days from the date of application for details to appear on the website.

Any person wishing to object to the application must file the objection in writing with reasons, within 30 days from the publication of notice on the Department of Fisheries and Land Resources website, Crown Lands, <http://www.ma.gov.nl.ca/lands/index.html>, to the Minister of Fisheries and Land Resources by mail or email to the nearest Regional Lands Office:

- Eastern Regional Lands Office, P.O. Box 8700, Howley Building, Higgins Line, St. John's, NL, A1B 4J6 Email: easternlandsoffice@gov.nl.ca
- Central Regional Lands Office, P.O. Box 2222, Gander, NL, A1V 2N9 Email: centrallandsoffice@gov.nl.ca
- Western Regional Lands Office, P.O. Box 2006, Sir Richard Squires Building, Corner Brook, NL, A2H 6J8 Email: westernregionlands@gov.nl.ca
- Labrador Regional Lands Office, P.O. Box 3014, Station "B", Happy Valley-Goose Bay, NL, A0P 1E0 Email: labradorlandsoffice@gov.nl.ca

(DISCLAIMER: *The Newfoundland and Labrador Gazette* publishes a NOTICE OF INTENT received from the Applicant and takes no responsibility for errors or omissions in the property being more particularly described.)

Sept 15

NOTICE OF INTENT, SECTION 7 LANDS ACT, SNL1991 c36 AS AMENDED

NOTICE IS HEREBY given that Canada Fluorspar (NL) Inc., of St. Lawrence, Newfoundland and Labrador intends to apply to the Department of Natural Resources, to acquire title, in compliance with Section 7(2)(a) of the *Lands Act*, to that piece of Crown land situated with fifteen (15) metres of the Waters of Blue Beach Cove, Great St. Lawrence Harbour in the Electoral District of Burin-Grand Bank for the purposes of constructing a wharf in support of the Canada Fluorspar (NL) Inc Mine Project.

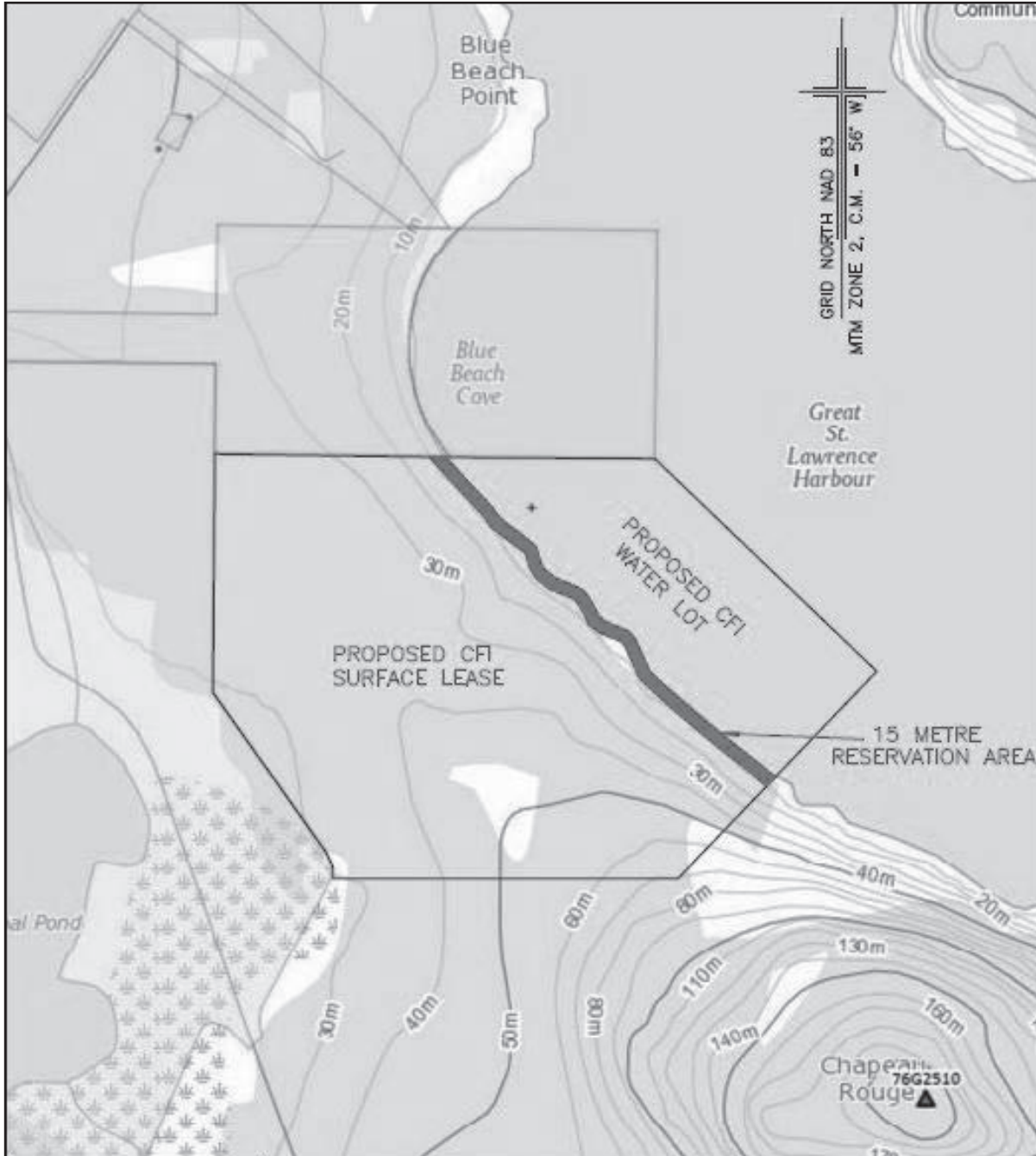
The land is described as follows:

*Bounded on the North by land of CFI
for a distance of 15 metres;
Bounded on the East by the Waters of
Great St. Lawrence Harbour
for a distance of +/-823 metres;
Bounded on the South by Crown land
for a distance of 15 metres;
Bounded on the West by Crown land
for a distance of +/- 823 metres;*

Any person wishing to object to the application must file the objection, in writing, within 30 days from the publication of this notice, with reasons for it, to the Minister of Natural Resources, and mail it to the following address: C/O Department of Natural Resources, Natural Resources Building, 50 Elizabeth Avenue, St. John's, NL, A1B 4J6, Attention: Justin Lake, Manager-Mineral Rights.

For further information on the proposed application please contact: Edwards and Associates Limited. Telephone Number: (709) 279-1990.

(DISCLAIMER: *The Newfoundland and Labrador Gazette* publishes a NOTICE OF INTENT received from the Applicant and takes no responsibility for errors or omissions in the property being more particularly described.)



EDWARDS AND ASSOCIATES LIMITED
 LAND SURVEYING, ENGINEERING, CONSULTING, INFORMATION MANAGEMENT
 BOX 158, MARYSTOWN, NL, A0E 2M0, TEL 709-279-1990, FAX 709-279-2185
 125 CONCEPTION BAY HIGHWAY, BAY ROBERTS, NL, A0A 1G0, TEL 709-786-7852



RESERVATION REQUIRED FOR
CANADA FLUORSPAR INC.
 ST. LAWRENCE, NEWFOUNDLAND AND LABRADOR



SCALE: 1:10000	MAP SHEET: 1L14 (NTS)	SURVEY BY: R.B.
DATE: SEPTEMBER 01, 2017		JOB NO. 6759

MOTOR CARRIER ACT

**IN THE MATTER OF
THE MOTOR CARRIER ACT, RSNL1990 cM-19
AND
IN THE MATTER OF THE APPLICATION FOR A
MOTOR CARRIER CERTIFICATE**

NOTICE OF APPLICATION

TAKE NOTICE that RANDOM ISLAND AMBULANCE LTD. of Hickman's Harbour in the Province of Newfoundland and Labrador A0C 1P0 has applied to the Board of Commissioners of Public Utilities under the provisions of the *Motor Carrier Act*, RSNL1990 cM-19, for the issuance of a Certificate as a motor carrier to provide the following service:

*IRREGULAR SPECIALTY AMBULANCE SERVICE
for the transportation of persons
requiring medical attention or under medical care
upon the request of a medical doctor or registered nurse*

from Hickman's Harbour, Britannia, Lower Lance Cove, Petley, Lady Cove, Weybridge, Elliott's Cove, Snook's Harbour, Aspey Brook and Deer Harbour to any hospital, nursing home, first aid station or home for senior citizens and upon the specific request of a medical doctor, registered nurse or a police officer between any two points within the province of Newfoundland and Labrador.

The Board, having reviewed the application, has granted provisional approval and shall issue said Certificate, unless a person who objects to the application files with the Board a notice of objection to the application together with a written statement setting out in full the reasons why the application should be denied and relevant documentary evidence. The objector must also serve on the applicant a copy of the notice of objection, the statement of reasons and the relevant documentary evidence filed with the Board by personal service or by prepaid, registered mail, at the address shown on the application, and proof of service must be supplied to the Board.

The evidence to be submitted must be received by the Board within twenty days of the date of the publication of this notice, at the office of the Board at Suite East 210, Prince Charles Building, Torbay Road, NL or by mail to P. O. Box 21040, St. John's, NL A1A 5B2.

Dated at Hickman's Harbour this 31st day of August, 2017.

RANDOM ISLAND AMBULANCE LTD.
Signature of Applicant

Sept 15

TRUSTEE ACT

ESTATE NOTICE

IN THE MATTER OF the Estate of DORIS CLARKE, Late of Paradise, in the Province of Newfoundland and Labrador, Deceased.

All persons claiming to be creditors of, or who have any claims or demands either as beneficiaries or next of kin (by full or half blood, legal adoption or marriage) upon or affecting, the Estate of DORIS CLARKE, Gentlewoman, who died at St. John's, NL on or about July 16, 2017, are hereby requested to send particulars thereof in writing, duly attested, to: Office of the Public Trustee, Viking Building, Suite 401 - 136 Crosbie Road, St. John's, NL A1B 3K3.

Particulars will be received by the Public Trustee, as Administrator of the Estate of DORIS CLARKE, on or before October 20, 2017, after which date the said Administrator will proceed to distribute the Estate having regard only to the claims of which he then shall have had notice.

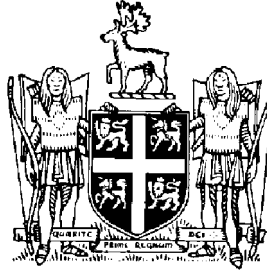
DATED at St. John's, this 7th day of September, 2017.

OFFICE OF THE PUBLIC TRUSTEE
Administrator of the Estate of
DORIS CLARKE

ADDRESS FOR SERVICE:
Viking Building
Suite 401 - 136 Crosbie Road
St. John's, NL A1B 3K3

Tel: (709) 729-0850
Fax: (709) 729-3063

Sept 15



THE NEWFOUNDLAND AND LABRADOR GAZETTE

**PART I
PUBLISHED BY AUTHORITY**

Vol. 92

ST. JOHN'S, FRIDAY, SEPTEMBER 15, 2017

No. 37

**NEWFOUNDLAND AND LABRADOR
REGULATIONS**

**NLR 82/17
NLR 83/17**



**NEWFOUNDLAND AND LABRADOR
REGULATION 82/17**

Vehicles Regulations, 2001 (Amendment)
under the
Highway Traffic Act

(Filed September, 12, 2017)

Under the authority of section 187 of the *Highway Traffic Act*, I
make the following regulations.

Dated at St. John's, August 29, 2017.

Sherry Gambin-Walsh
Minister of Service Newfoundland and Labrador

REGULATIONS

Analysis

1. Schedules R&S

NLR 81/01
as amended

**1. Schedules A to F of the *Vehicles Regulations, 2001* are re-
pealed and the following substituted:**

Schedule A

Standards Respecting
Vehicle Weights and Dimensions Limits
in Atlantic Canada

1. Vehicle Weight and Dimension Limits

(a) General Dimensional Limits

Dimension	Limit
1. Overall Height Limit	Max 4.15 m
2. Overall Width Limit	Max 2.6 m
3. Overall Length Limit	
Tractor Semitrailer	Max 23 m
Tridem Drive Tractor Semitrailer	Max 23.5 m
A Train Double	Max 25 m
B Train Double	Max 27.5 m
C Train Double	Max 25 m
Truck - Pony Trailer Combination	Max 23 m
Truck - Full Trailer Combination	Max 23 m
4. Box Length Limit	
A, B and C Trains	Max 20.0 m
Truck Trailer Combinations	Max 20.0 m
5. Trailer Length Limits	
Semitrailer	Max 16.2 m
Full Trailer	Max 12.5 m
Pony Trailer	Max 12.5 m

(b) Dimensional Controls - Wheelbases, Interaxle Spacings and Overhangs

Dimension	Limit
1. Tractor Wheelbase	Max 6.2 m ¹
2. Trailer Wheelbase Semitrailer Full Trailer Pony Trailer	Min 6.25 m/Max 12.5 m Min 6.25 m Min 6.25 m
3. Effective Rear Overhang Straight Trucks Semitrailers Full Trailers Pony Trailers	Max 4.0 m Max 35% of wheelbase Max 35% of wheelbase Max 4.0 m
4. Rear Overhang ²	Max 2.0 m
5. Front Overhang ³	Max 1.0 m
6. Kingpin Setback (Semitrailers)	Max 2.0 m radius
7. Track Width Semitrailers, Full Trailers and Pony Trailers With dual tires With single tires ⁴	Min 2.5 m Min 2.45 m
8. Minimum Interaxle Spacing Requirements ⁵ Single - Single ⁶ Single - Tandem ⁷ Single - Tridem Tandem - Tandem Tandem - Tridem	Min 3.0 m Min 3.0 m Min 5.0 m Min 5.0 m Min 5.5 m

¹ The tractor wheelbase in the Category 1: Tractor Semitrailer can be up to 7.2 metres provided the wheelbase of the semitrailer is reduced in accordance with Table A. The tractor wheelbase in the Category 3: B Train Double can exceed 6.2 metres, up to a maximum of 6.8 metres, provided the sum of the semitrailer wheelbases is reduced in accordance with Table B.

² Cargo may overhang the rear of the transporting truck or trailer up to 2.0 metres, provided the overall length and effective rear overhang limits are respected. Red warning flags are required on the rear of the cargo when the rear overhang exceeds 1.0 metre.

³ Cargo may overhang the front of the transporting truck or trailer by up to 1.0 metre, provided the overall length limit for the vehicle or vehicle combination is not exceeded, and in the case of semitrailers, the cargo does not extend beyond a 2 metre radius about the kingpin.

⁴ The minimum track width for trailers fitted with single tires and manufactured prior to 2010 is 2.3 metres.

⁵ Vehicle combinations which do not comply with the minimum interaxle spacing requirements, but which comply with all other dimensional limits, will be subject to a reduction in allowable Gross Weight Limit of 1000 kg for each 0.5 metre shortfall in required interaxle spacing.

⁶ The minimum interaxle spacing requirements must always be met by tractors.

⁷ See note 6.

Table A - Category 1: Tractor Semitrailer
Maximum Semitrailer Wheelbase for Tractor Wheelbase >6.2 metres

Tractor Wheelbase	Maximum Semitrailer Wheelbase
6.2 m or less	≤12.50 m
> 6.2 m to 6.3 m	≤12.47 m
>6.3 m to 6.4 m	≤12.40 m
>6.4 m to 6.5 m	≤12.33 m
>6.5 m to 6.6 m	≤12.27 m
>6.6 m to 6.7 m	≤12.20 m
>6.7 m to 6.8 m	≤12.13 m
>6.8 m to 6.9 m	≤12.07 m
>6.9 m to 7.0 m	≤12.00 m
>7.0 m to 7.1 m	≤11.93 m
>7.1m to 7.2 m	≤11.87 m

Table B - Category 3: B Train Double
Maximum Semitrailer Wheelbase for Tractor Wheelbase >6.2 metres

Tractor Wheelbase	Maximum Sum of Semitrailer Wheelbases
6.2 m or less	≤17.00 m
>6.2 m to 6.3 m	≤16.53 m
>6.3 m to 6.4 m	≤16.44 m
>6.4 m to 6.5 m	≤16.36 m
>6.5 m to 6.6 m	≤16.27 m
>6.6 m to 6.7 m	≤16.19 m
>6.7 m to 6.8 m	≤16.10 m

(c) Axle Weight Limits

Axle Type	Application	Spread Range	Weight Limit
1. Steering	Straight Truck	N/A	8000 kg*
	Intercity Bus	N/A	7250 kg*
	Tractor	N/A	5500 kg*
2. Tandem Steering Axle**	Straight Truck	1.2 m to 2.2 m	16 000 kg
3. Single (other than steering axle)	Single Tires (<445 mm)	N/A	6000 kg
	Single Tires (≥445 mm)	N/A	7700 kg
	Dual Tires	N/A	9100 kg
4. Tandem Axle (including tandem equivalent axles)	Truck, Tractor or Trailer -Dual Tires	less than 1.2 m 1.2 m to 1.85 m	9100 kg 18 000 kg
	Truck, Tractor or Trailer -Single Tires (width ≥ 445 mm)	less than 1.2 m 1.2 m to 1.85 m	7700 kg 15 400 kg
5. Tridem Axle (including tridem equivalent axles)	Trailers - Dual Tires	less than 2.4 m	18 000 kg
		2.4 m to less than 3.0 m	21 000 kg
		3.0 m to less than 3.6 m	24 000 kg
		3.6 m to 3.7 m	26 000 kg
Trailers - Single Tires width ≥ 445 mm)	less than 2.4 m	15 400 kg	
	2.4 m to less than 3.0 m	21 000 kg	
	3.0 m to less than 3.6 m	23 000 kg	
	3.6 m to 3.7 m	23 100 kg	
6. Triaxle Axle (model year 2003 and newer)	Trailers	3.0 m to less than 3.6 m	18 000 kg
		3.6 m to less than 4.2 m	18 000 kg
		4.2 m to 4.8 m	18 000 kg

* Steering axle loads can be as high as 9100 kg provided the load carrying capacity of the axles, tires, and all other components is not exceeded, and the tire loading does not exceed 10 kg per mm of tire width. However, no increase in the specified Gross Vehicle Weight for the configuration will be permitted with higher steering axle loads.

** Both axles in a tandem steering axle must be actively controlled by the driver; passive or self-steering axles are not permitted.

(d) Other Weight Related Limits

<p>Axle Groups - Load Equalization</p>	<p>Max 1000 kg difference between adjacent axles in tandem, tandem equivalent, tridem and tridem equivalent axle groups</p>
<p>Tire Loading - per mm of tire width - per tire: width < 445 mm - per tire: width 445 mm and greater</p>	<p>Max 10 kg per mm Max 3000 kg* Max 3850 kg*</p>

* excluding steering axles

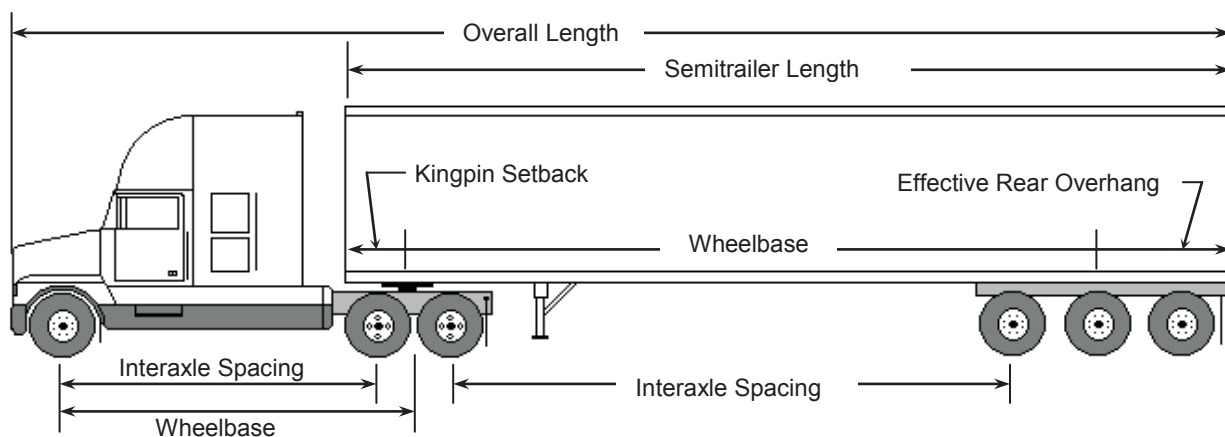
(e) Weight Related Tolerances

There are no automatically applied tolerances associated with axle or vehicle weight limits, published or not.

Schedule B

Summary of Vehicle Weights and Dimensions
Limits by Configuration

Category 1: Tractor Semitrailer
Part 1 - Dimension Limits



DIMENSION	LIMIT
Overall Length	Maximum 23 m
Overall Width	Maximum 2.6 m
Overall Height	Maximum 4.15 m
Tractor:	
Wheelbase ⁸	Maximum 6.2 m
Tandem Axle Spread	Minimum 1.2 m/Maximum 1.85 m
Semitrailer	
Length	Maximum 16.2 m
Wheelbase	Minimum 6.25 m/Maximum 12.5 m
Kingpin Setback	Maximum 2.0 m radius
Effective Rear Overhang	Maximum 35% of wheelbase

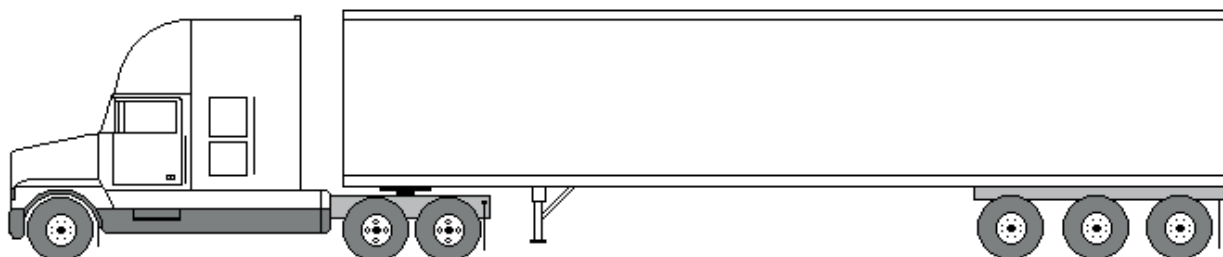
⁸ The tractor wheelbase can be up to 7.2 m in a tractor-semitrailer configuration, provided the wheelbase of the semitrailer is reduced in accordance with Table A.

DIMENSION	LIMIT
Tandem Axle Spread	Minimum 1.2 m/Maximum 1.85 m
Tridem Axle Spread	Minimum 2.4 m/Maximum 3.7 m
Track Width: With dual tires	Minimum 2.5 m/Maximum 2.6 m
With single tires ⁹	Minimum 2.45 m/Maximum 2.6 m
Interaxle Spacings	
Single Axle to Single, Tandem or Tridem Axle	Minimum 3.0 m
Tandem Axle to Tandem Axle	Minimum 5.0 m
Tandem Axle to Tridem Axle	Minimum 5.5 m

⁹ See note 4.

Category 1: Tractor Semitrailer

Part 2 - Weight Limits



Max 5500 kg*

Single Axle - Max 9100 kg
Tandem Axle - Max 18 000 kg

Single Axle - Max 9100 kg
Tandem Axle - Max 18 000 kg
Tridem Axle - Spread:
2.4 m to < 3.0 m - Max 21 000 kg
3.0 m to < 3.6 m - Max 24 000 kg
3.6 m to 3.7 m - Max 26 000 kg

WEIGHT ^{10 11}	LIMIT
Axle Weights:	
Steering Axle	Maximum 5500 kg*
Single Axle (dual tires)	Maximum 9100 kg
Tandem Axle:	
Axle Spread 1.2 m to 1.85 m	Maximum 18 000 kg
Tridem Axle:	
Axle Spread 2.4 m - less than 3.0 m	Maximum 21 000 kg
Axle Spread 3.0 m - less than 3.6 m	Maximum 24 000 kg
Axle Spread 3.6 m - 3.7 m	Maximum 26 000 kg
Gross Vehicle Weight Limits	
Three Axles	Maximum 23 700 kg

¹⁰ When an axle, other than a steering axle, is fitted with two single tires, each of which has a width of 445 mm or greater, the weight cannot exceed 7700 kg for single axles, 15,400 kg for tandem axle groups, 21,000 kg for tridem axle groups with spread from 2.4 m to <3.0 m, 23,000 kg for tridem axle groups with spread from 3.0 m to <3.6 m and 23,100 kg for tridem axle groups with spread from 3.6 m to 3.7 m.

¹¹ An additional allowance of up to 225 kg will be provided on the combined weight of the tractor steering axle and drive axle group of a vehicle in *Category 1: Tractor-Semitrailer* if the tractor is equipped with a functioning Auxiliary Power Unit. In such cases the Gross Vehicle Weight limit for the combination will also increase up to a maximum of 225 kg to accommodate the increased weight of the tractor.

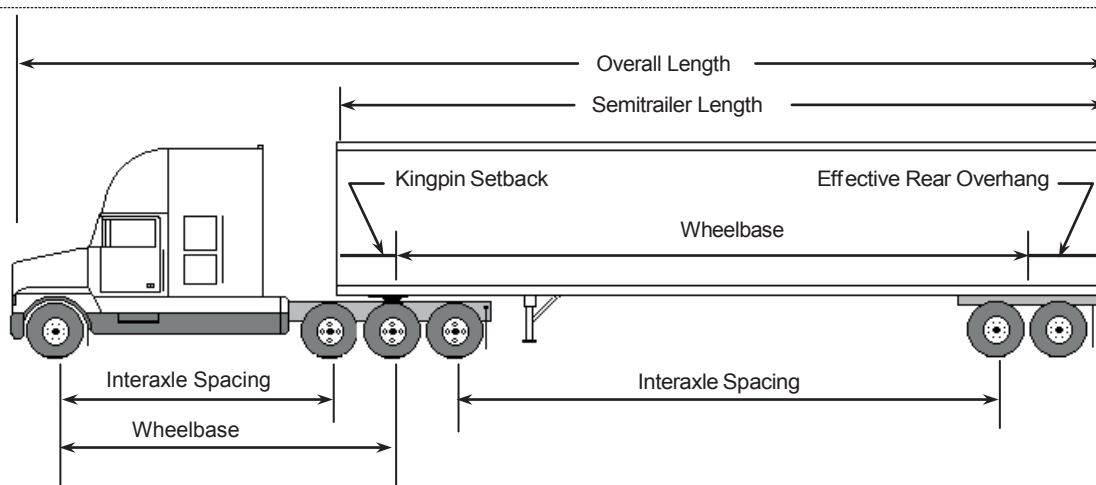
WEIGHT ^{12 13}		LIMIT
Four Axles		Maximum 32 600 kg
Five Axles		Maximum 41 500 kg
Six Axles -	with 2.4 to < 3.0 m spread tridem	Maximum 44 500 kg
	with 3.0 m to < 3.6 m spread tridem	Maximum 47 500 kg
	with 3.6 to 3.7 m spread tridem	Maximum 49 500 kg

* The steering axle weight can be as high as 9100 kg provided the load carrying capacity of the axle, tires and all other components is not exceeded, and the tire loading does not exceed 10 kg per mm of width. However, the Gross Vehicle Weight limit will be based on a steering weight of 5500 kg.

¹² See note 10.

¹³ See note 11.

Category 1A: Tridem Drive Tractor Semitrailer
Part 1 - Dimension Limits



DIMENSION	LIMIT
Overall Length	Maximum 23.5 m
Overall Width	Maximum 2.6 m
Overall Height	Maximum 4.15 m
Tractor:	
Wheelbase	Minimum 6.6 m/Maximum 6.8 m
Tridem Axle ¹⁴ Spread	Minimum 2.4 m/Maximum 2.8 m
Semitrailer	
Length	Maximum 16.2 m
Wheelbase Single, Tandem or Tridem	Minimum 6.25 m/Maximum 12.0 m
Kingpin Setback	Maximum 2.0 m radius
Effective Rear Overhang	Maximum 35% of wheelbase
Tandem Axle Spread	Minimum 1.2 m/Maximum 1.85 m
Tridem Axle Spread	Minimum 2.4 m/Maximum 3.7 m
Track Width: With dual tires	Minimum 2.5 m/Maximum 2.6 m
With single tires ¹⁵	Minimum 2.45 m/Maximum 2.6 m

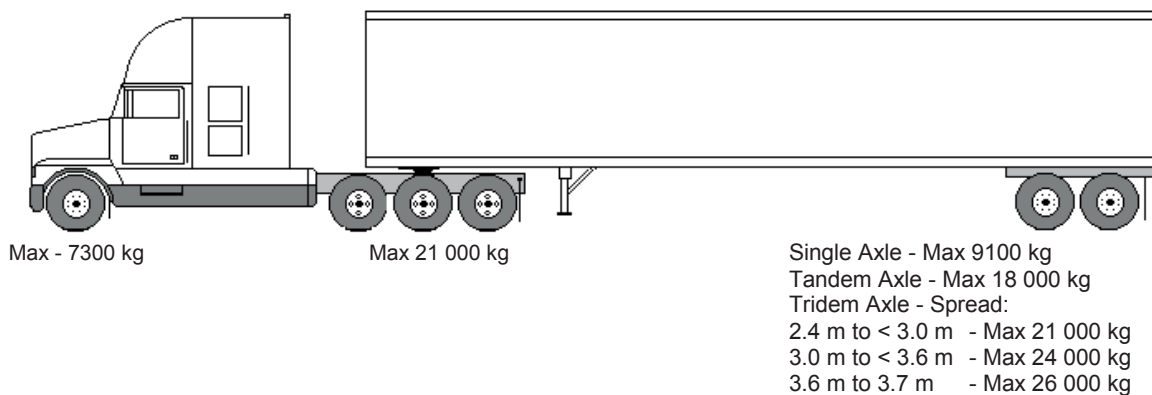
¹⁴ Each axle of the tridem axle must transmit tractive power to its wheels.

¹⁵ See note 4.

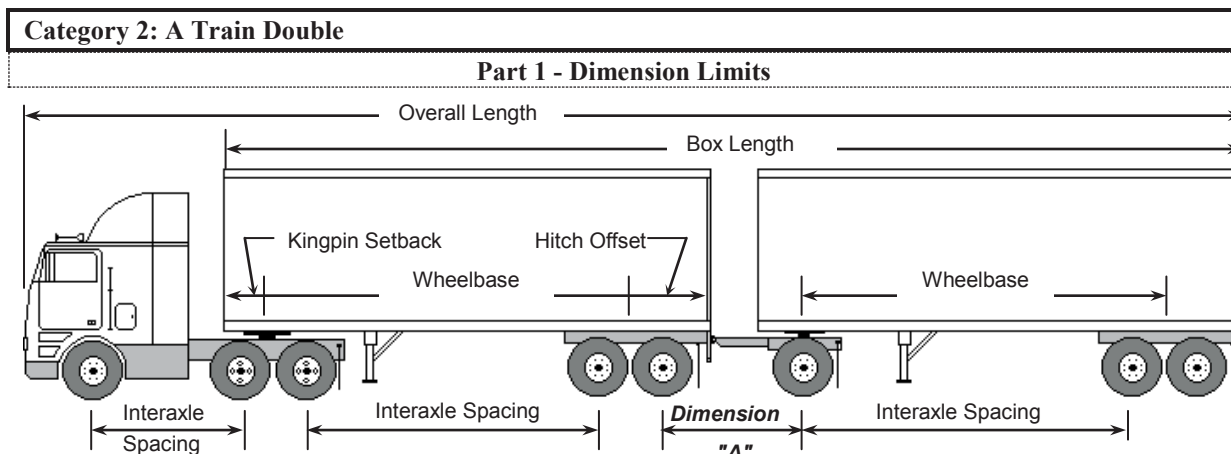
DIMENSION	LIMIT
Interaxle Spacings	
Single Axle to Tridem Axle	Minimum 3.0 m
Tandem Axle to Tridem Axle	Minimum 5.5 m
Tridem Axle to Tridem Axle	Minimum 6.0 m

Category 1A: Tridem Drive Tractor Semitrailer

Part 2 - Weight Limits



WEIGHT		LIMIT
Axle Weights:		
Steering Axle		Maximum 7300 kg
Single Axle (dual tires)		Maximum 9100 kg
Tandem Axle:		
Axle Spread 1.2 m to 1.85 m		Maximum 18 000 kg
Tridem Axle:		
Tractor Drive Axle Spread 2.4 m to 2.8 m		Maximum 21 000 kg
Semitrailer Axle Spread 2.4 m - less than 3.0 m		Maximum 21 000 kg
Semitrailer Axle Spread 3.0 m - less than 3.6 m		Maximum 24 000 kg
Semitrailer Axle Spread 3.6 m - 3.7 m		Maximum 26 000 kg
Gross Vehicle Weight Limits		
Single Axle Semitrailer		Maximum 37 400 kg
Tandem Semitrailer		Maximum 46 300 kg
Tridem Semitrailer with 2.4 to < 3.0 m spread		Maximum 49 300 kg
with 3.0 m to < 3.6 m spread		Maximum 52 300 kg
with 3.6 to 3.7 m spread		Maximum 54 300 kg

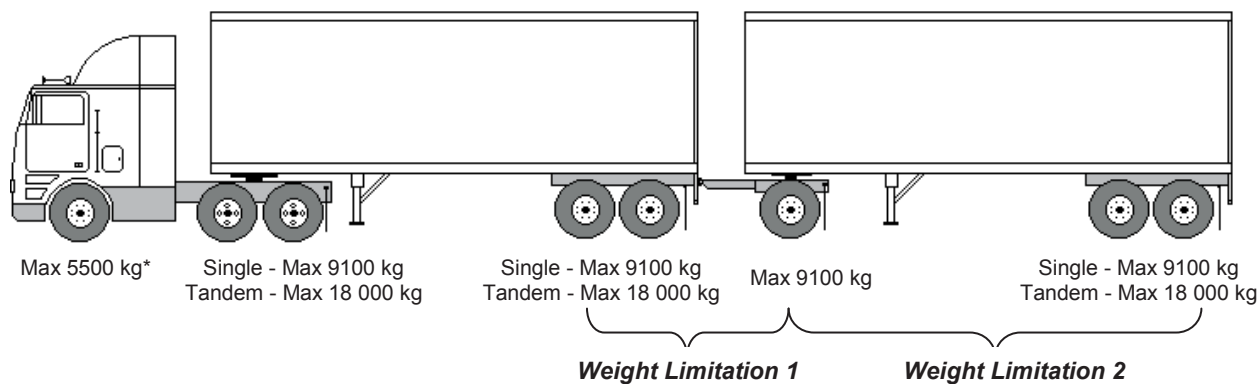


DIMENSION	LIMIT
Overall Length	Maximum 25 m
Overall Width	Maximum 2.6 m
Overall Height	Maximum 4.15 m
Box Length	Maximum 20 m
Tractor:	
Wheelbase	Maximum 6.2 m
Tandem Axle Spread	Minimum 1.2 m/Maximum 1.85 m
Lead Semitrailer	
Wheelbase	Minimum 6.25 m
Kingpin Setback	Maximum 2.0 m radius
Tandem Axle Spread	Minimum 1.2 m/Maximum 1.85 m
Hitch Offset	Maximum 1.8 m
Track Width: With dual tires	Minimum 2.5 m/Maximum 2.6 m
With single tires ¹⁶	Minimum 2.45 m/Maximum 2.6 m
Second Semitrailer or Full Trailer	
Wheelbase	Minimum 6.25 m
Tandem Axle Spread	Minimum 1.2 m/Maximum 1.85 m
Track Width: With dual tires	Minimum 2.5 m/Maximum 2.6 m
With single tires ¹⁷	Minimum 2.45 m/Maximum 2.6 m

¹⁶ See note 4.

¹⁷ See note 4.

Category 2: A Train Double
Part 2 - Weight Limits



WEIGHT ¹⁸	LIMIT
Axle Weight Limits:	
Steering Axle	Maximum 5500 kg*
Single Axle (dual tires)	Maximum 9100 kg
Tandem Axle:	
Axle Spread 1.2 m to 1.85 m	Maximum 18 000 kg
Weight Limitation 1: Sum of Axle Weights of Lead Semitrailer Plus Weight of Converter Dolly Axle	If Dimension "A" is less than 3 metres, the weight of the axle(s) on the lead semitrailer plus the weight of the converter dolly axle(s) is limited to a maximum of 18,000 kg for a two axle group or a maximum of 24,000 kg for a three axle group.
Weight Limitation 2: Sum of Axle Weights of Full Trailer or Second Semitrailer	The weight of the second trailer must not exceed the weight of the tractor drive axle(s) plus the weight of the axle(s) on the first semitrailer.
Gross Vehicle Weight Limits:	
Five Axles	Maximum 41 900 kg
Six Axles	Maximum 50 800 kg
Seven Axles	Maximum 53 500 kg

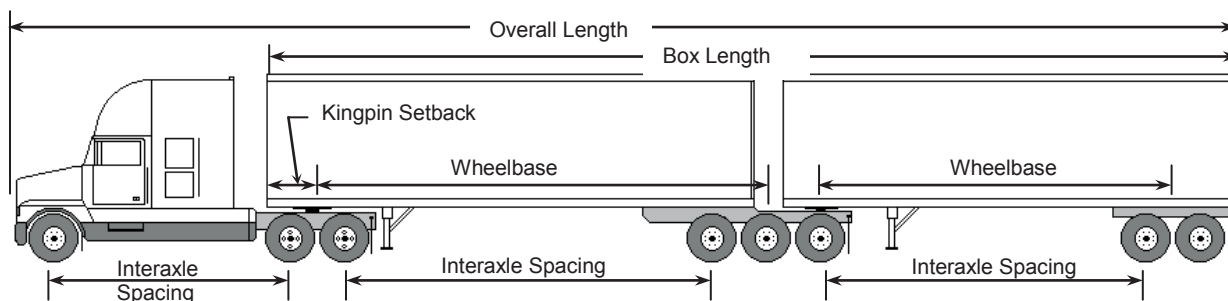
¹⁸ When an axle, other than a steering axle, is fitted with two single tires, each of which has a width of 445 mm or greater, the weight cannot exceed 7700 kg for single axles and 15,400 kg for tandem axle groups.

WEIGHT¹⁹	LIMIT
Eight Axles	Maximum 53 500 kg

*The steering axle weight can be as high as 9100 kg provided the load carrying capacity of the axle, tires, and all other components is not exceeded, and the tire loading does not exceed 10 kg per mm of width. However, the Gross Vehicle Weight limit will be based on a steering axle weight of 5500 kg.

¹⁹ See note 18.

Category 3: B Train Double
Part 1 - Dimension Limits



DIMENSION	LIMIT
Overall Length	Maximum 27.5 m
Overall Width	Maximum 2.6 m
Overall Height	Maximum 4.15 m
Box Length	Maximum 20.0 m
Tractor:	
Wheelbase	Maximum 6.2 m ²⁰
Tandem Axle Spread	Minimum 1.2 m/Maximum 1.85 m
Lead Semitrailer	
Wheelbase	Minimum 6.25 m
Kingpin Setback	Maximum 2.0 m radius
Tandem Axle Spread	Minimum 1.2 m/Maximum 1.85 m
Tridem Axle Spread	Minimum 2.4 m/Maximum 3.1 m
Track Width: With dual tires	Minimum 2.5 m/Maximum 2.6 m
With single tires ²¹	Minimum 2.45 m/Maximum 2.6 m
Fifth Wheel Position	No more than 0.3 m behind the centre of the rearmost axle on the semitrailer
Second Semitrailer	
Wheelbase	Minimum 6.25 m
Tandem Axle Spread	Minimum 1.2 m/Maximum 1.85 m

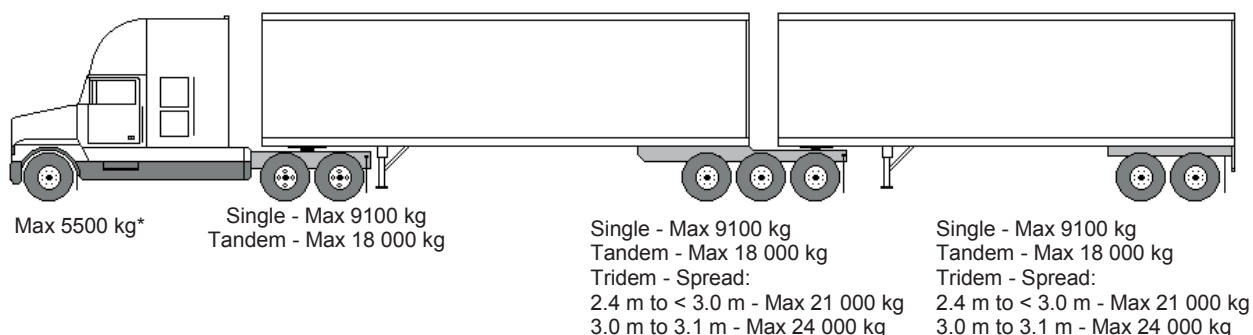
²⁰ The tractor wheelbase can exceed 6.2 metres, up to a maximum of 6.8 metres, provided the sum of the semitrailer wheelbases is reduced in accordance with Table B.

²¹ See note 4.

DIMENSION	LIMIT
Tridem Axle Spread	Minimum 2.4 m/Maximum 3.1 m
Track Width: With dual tires	Minimum 2.5 m/Maximum 2.6 m
With single tires ²²	Minimum 2.45 m/Maximum 2.6 m
Sum of Semitrailer Wheelbases	Maximum 17.0 m
Interaxle Spacings	
Single Axle to Single or Tandem Axle	Minimum 3.0 m
Tandem Axle to Tandem Axle	Minimum 5.0 m
Tandem Axle to Tridem Axle	Minimum 5.5 m

²² See note 4.

Category 3: B Train Double
Part 2 - Weight Limits

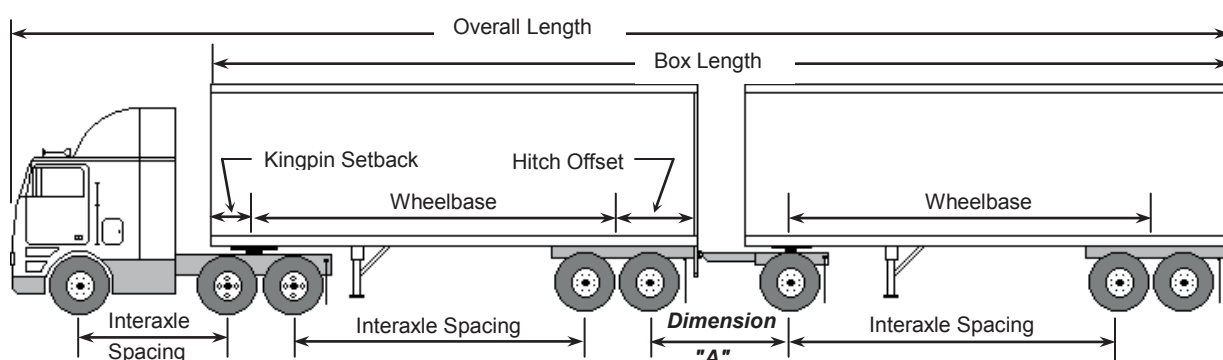


WEIGHT ²³	LIMIT
Axle Weight Limits:	
Steering Axle	Maximum 5500 kg*
Single Axle (dual tires)	Maximum 9100 kg
Tandem Axle:	
Axle Spread 1.2 m to 1.85 m	Maximum 18 000 kg
Tridem Axle:	
Axle Spread 2.4 m to less than 3.0 m	Maximum 21 000 kg
Axle Spread 3.0 m to 3.1 m	Maximum 24 000 kg
Gross Vehicle Weight Limits:	
Six Axles	Maximum 50 600 kg
Seven Axles	Maximum 59 500 kg
Eight Axles	Maximum 62 500 kg
Nine Axles	Maximum 62 500 kg

* The steering axle weight can be as high as 9100 kg provided the load carrying capacity of the axle, tires, and all other components is not exceeded, and the tire loading does not exceed 10 kg per mm of width. However, the Gross Vehicle Weight limit will be based on a steering axle weight of 5500 kg.

²³ When an axle, other than a steering axle, is fitted with two single tires, each of which has a width of 445 mm or greater, the weight cannot exceed 7700 kg for single axles, 15,400 kg for tandem axle groups, 21,000 kg for tridem axle groups with spread from 2.4 m to <3.0 m and 23,000 kg for tridem axle groups with spread from 3.0 m to 3.1 m.

Category 4: C Train Double
Part 1 - Dimension Limits



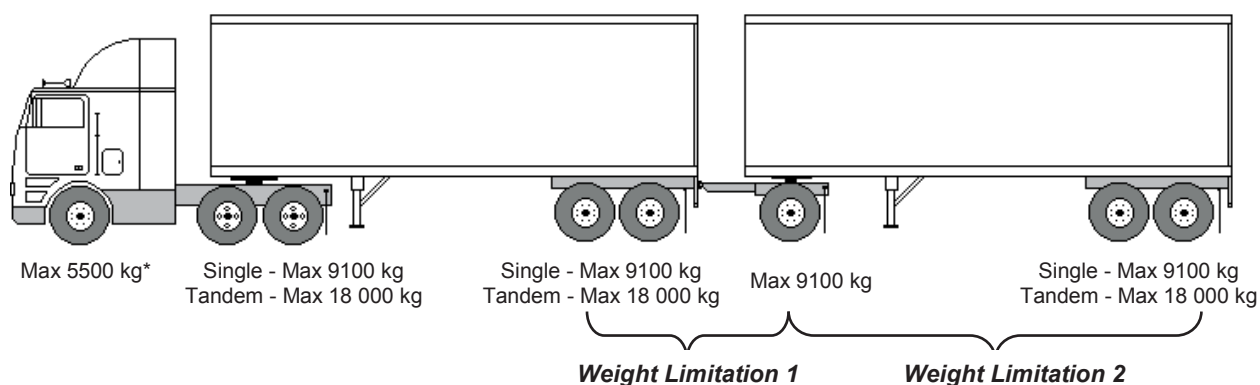
DIMENSION	LIMIT
Overall Length	Maximum 25 m
Overall Width	Maximum 2.6 m
Overall Height	Maximum 4.15 m
Box Length	Maximum 20.0 m
Tractor:	
Wheelbase	Maximum 6.2 m
Tandem Axle Spread	Minimum 1.2 m/Maximum 1.85 m
Lead Semitrailer	
Wheelbase	Minimum 6.25 m
Kingpin Setback	Maximum 2.0 m radius
Tandem Axle Spread	Minimum 1.2 m/Maximum 1.85 m
Hitch Offset	Maximum 1.8 m
Track Width: With dual tires	Minimum 2.5 m/Maximum 2.6 m
With single tires ²⁴	Minimum 2.45 m/Maximum 2.6 m
Second Semitrailer or Full Trailer	
Wheelbase	Minimum 6.25 m
Tandem Axle Spread	Minimum 1.2 m/Maximum 1.85 m
Track Width: With dual tires	Minimum 2.5 m/Maximum 2.6 m
With single tires ²⁵	Minimum 2.45 m/Maximum 2.6 m

²⁴ See note 4.

²⁵ See note 4.

DIMENSION	LIMIT
C Dolly Drawbar Length	Maximum 2.0 m
Interaxle Spacings	
Single Axle to Single or Tandem Axle	Minimum 3.0 m
Tandem Axle to Tandem Axle	Minimum 5.0 m
Dimension "A" (from the centre of last axle on the lead semitrailer to centre of the first axle on the converter dolly or second trailer)	Not controlled

Category 4: C Train Double
Part 2 - Weight Limits



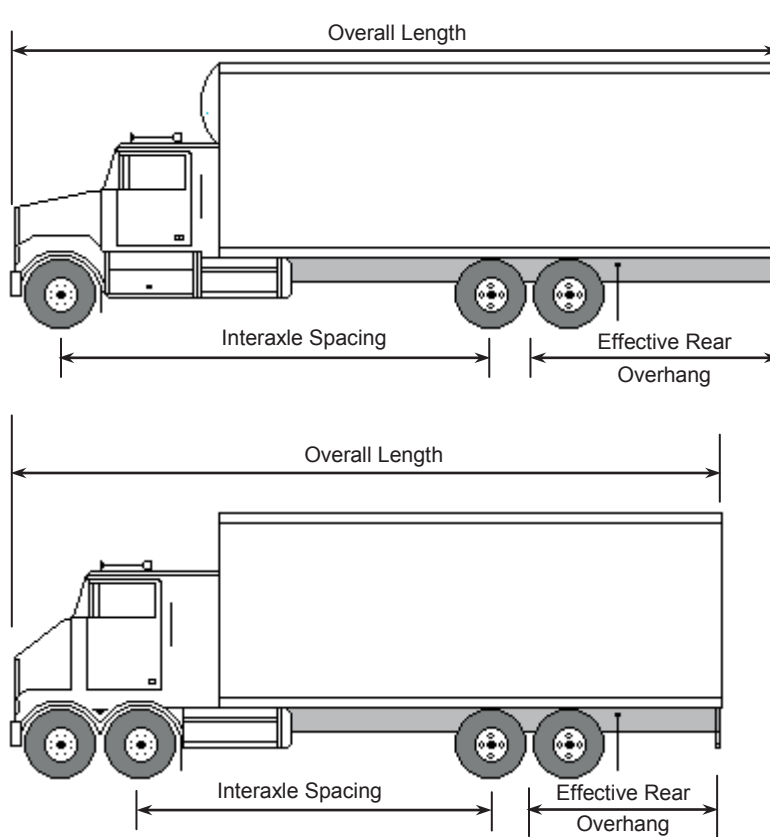
WEIGHT ²⁶	LIMIT
Axle Weight Limits:	
Steering Axle	Maximum 5500 kg*
Single Axle (dual tires)	Maximum 9100 kg
Tandem Axle:	
Axle Spread 1.2 m to 1.85 m	Maximum 18 000 kg
Weight Limitation 1: Sum of Axle Weights of Lead Semitrailer Plus Weight of Converter Dolly Axle	If Dimension "A" is less than 3 metres, the weight of the axle(s) on the lead semitrailer plus the weight of the converter dolly axle(s) is limited to a maximum of 18,000 kg for a two axle group or a maximum of 24,000 kg for a three axle group.
Weight Limitation 2: Sum of Axle Weights of Full Trailer or Second Semitrailer	The weight of the second trailer must not exceed the weight of the tractor drive axle(s) plus the weight of the axle(s) on the first semitrailer.
Gross Vehicle Weight Limits:	
Five Axles	Maximum 41 900 kg
Six Axles	Maximum 50 800 kg
Seven Axles	Maximum 55 600 kg
Eight Axles	Maximum 58 500 kg

²⁶ See note 18.

- * The steering axle weight can be as high as 9100 kg provided the load carrying capacity of the axle, tires, and all other components is not exceeded, and the tire loading does not exceed 10 kg per mm of width. However, the Gross Vehicle Weight limit will be based on a steering axle weight of 5500 kg.

Category 5: Straight Truck

Part 1 - Dimension Limits

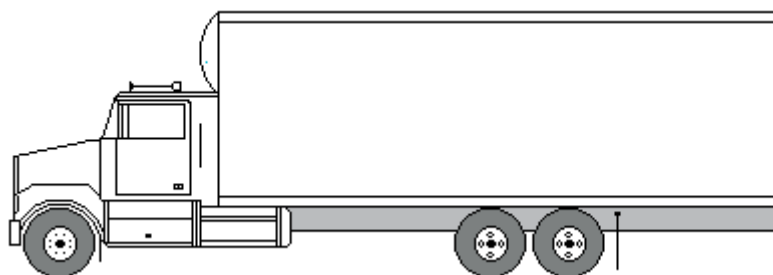


DIMENSION	LIMIT
Overall Length	Maximum 12.5 m
Overall Width	Maximum 2.6 m
Overall Height	Maximum 4.15 m
Box Length	Not Controlled
Wheelbase	Not controlled
Tandem Steering Axle Spread	Minimum 1.2 m/Maximum 2.2 m
Tandem Axle Spread	Minimum 1.2 m/Maximum 1.85 m
Effective Rear Overhang	Maximum 4.0 m

DIMENSION	LIMIT
Interaxle Spacings	
Single Axle to Single or Tandem Axle	Minimum 3.0 m
Tandem Steering Axle to Tandem Axle	Minimum 3.65 m

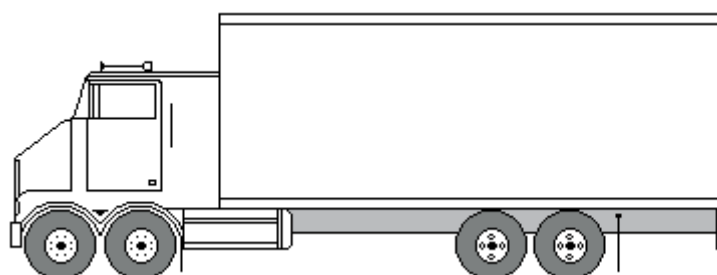
Category 5: Straight Truck

Part 2 - Weight Limits



Max 8000 kg*

Single - Max 9100 kg
Tandem - Max 18 000 kg



Tandem Steering Axle
Max 16 000 kg

Tandem Drive Axle
Max 18 000 kg

WEIGHT ²⁷	LIMIT
Axle Weights:	
Steering Axle - single axle, single tires	Maximum 8000 kg*
- tandem axle, single tires	Maximum 16 000 kg
Single Axle (dual tires)	Maximum 9100 kg
Tandem Drive Axle:	
Axle Spread 1.2 m to 1.85 m	Maximum 18 000 kg
Gross Vehicle Weight Limits:	
Two Axles	Maximum 17 100 kg

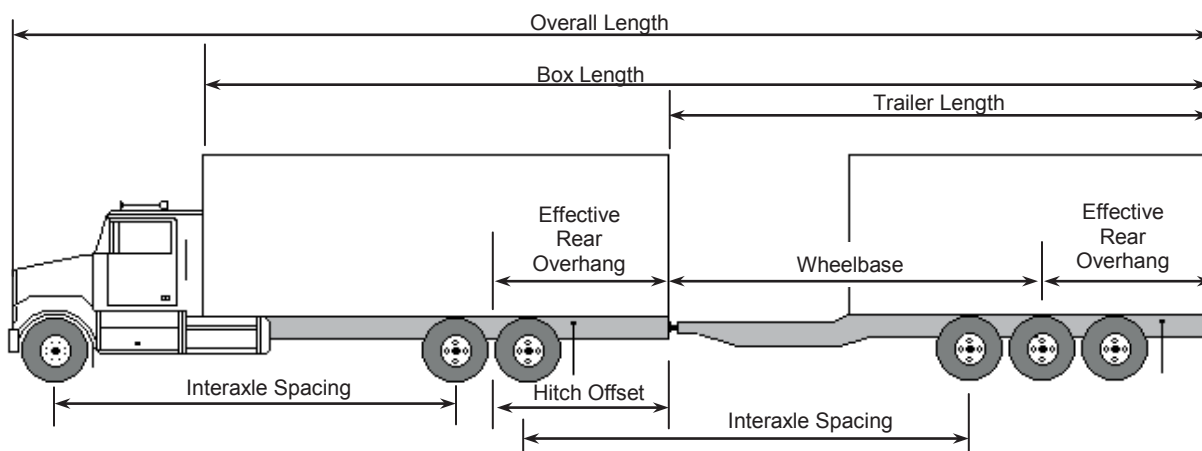
²⁷ See note 18.

WEIGHT²⁸	LIMIT
Three Axles	Maximum 26 000 kg
Four Axles	Maximum 34 000 kg

* The steering axle weight can be as high as 9100 kg provided the load carrying capacity of the axle, tires, and all other components is not exceeded, and the tire loading does not exceed 10 kg per mm of width. However, the Gross Vehicle Weight limit will be based on a steering axle weight of 8000 kg for single steering axle straight trucks.

²⁸ See note 18.

Category 6: Truck - Pony Trailer Combination
Part 1 - Dimension Limits



DIMENSION	LIMIT
Overall Length	Maximum 23 m
Overall Width	Maximum 2.6 m
Overall Height	Maximum 4.15 m
Box Length	Maximum 20 m
Truck:	
Length	Maximum 12.5 m
Wheelbase	Not controlled
Tandem Axle Spread	Minimum 1.2 m/Maximum 1.85 m
Effective Rear Overhang	Maximum 4.0 m
Hitch Offset	Maximum 1.8 m
Pony Trailer*	
Length	Maximum 12.5 m
Wheelbase	Minimum 6.25 m
Tandem Axle Spread	Minimum 1.2 m/Maximum 1.85 m
Tridem Axle Spread	Minimum 2.4 m/Maximum 3.7 m
Track Width: With dual tires	Minimum 2.5 m/Maximum 2.6 m
With single tires ²⁹	Minimum 2.45 m/Maximum 2.6 m

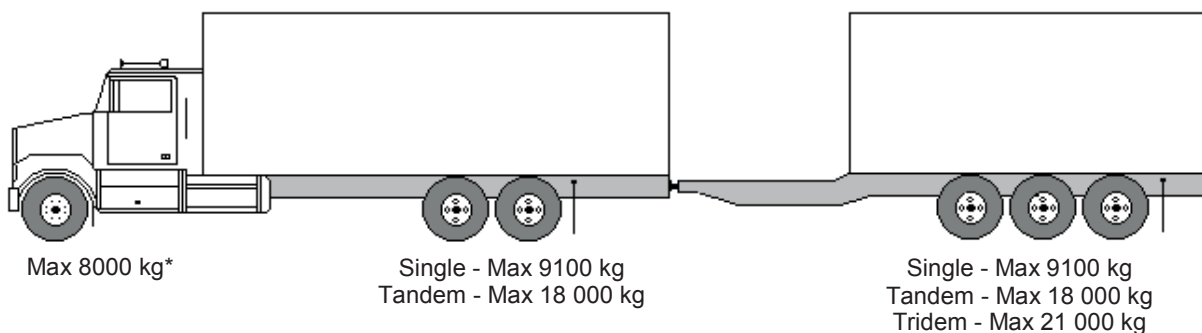
²⁹ See note 4.

DIMENSION	LIMIT
Effective Rear Overhang	Maximum 4.0 m
Interaxle Spacings	
Single Axle to Single, Tandem or Tridem Axle	Minimum 3.0 m
Tandem Axle to Tandem Axle	Minimum 5.0 m
Tandem Axle to Tridem Axle	Minimum 5.5 m

* Dimension limits not applicable to pony trailers with Gross Vehicle Weight Rating of less than 10 000 kg.

Category 6: Truck - Pony Trailer Combination

Part 2 - Weight Limits



WEIGHTS ³⁰	LIMITS
Axle Weight Limits:	
Steering Axle	Maximum 8000 kg*
Single Axle (dual tires)	Maximum 9100 kg
Tandem Axle:	
Axle Spread 1.2 m to 1.85 m	Maximum 18 000 kg
Tridem Axle:	
Axle Spread 2.4 m - 3.7 m	Maximum 21 000 kg
Gross Vehicle Weight Limits:	
Three Axles	Maximum 26 200 kg
Four Axles	Maximum 35 100 kg
Five Axles	Maximum 44 000 kg
Six Axles	Maximum 47 000 kg

* The steering axle weight can be as high as 9100 kg provided the load carrying capacity of the axle, tires, and all other components is not exceeded, and the tire loading does not exceed 10 kg per mm of width. However, the Gross Vehicle Weight limit will be based on a steering axle weight of 8000 kg.

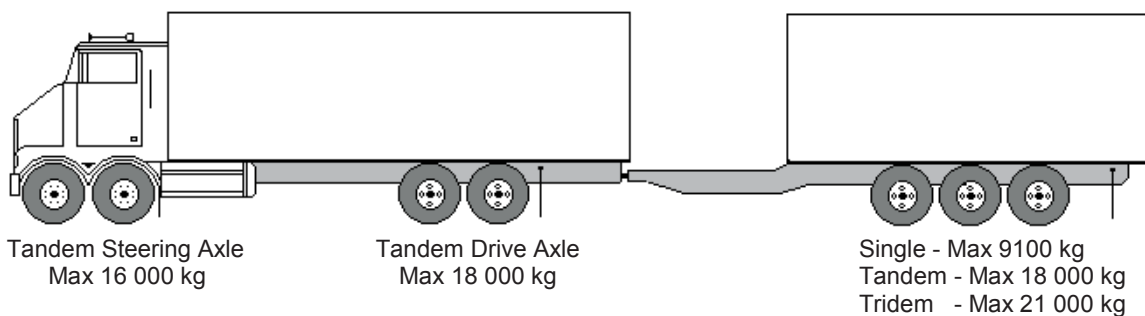
³⁰ When an axle, other than a steering axle, is fitted with two single tires, each of which has a width of 445 mm or greater, the weight cannot exceed 7700 kg for single axles, 15,400 kg for tandem axle groups and 21,000 kg for tridem axle groups.

DIMENSION	LIMIT
Interaxle Spacings	
Tandem Steering Axle to Tandem Drive Axle	Minimum 3.65 m
Single Axle to Single, Tandem or Tridem Axle	Minimum 3.0 m
Tandem Axle to Tandem Axle	Minimum 5.0 m
Tandem Axle to Tridem Axle	Minimum 5.5 m

* Limits not applicable to pony trailers with Gross Vehicle Weight Rating of less than 10 000 kg.

Category 7: Tandem Steering Axle Truck - Pony Trailer Combination

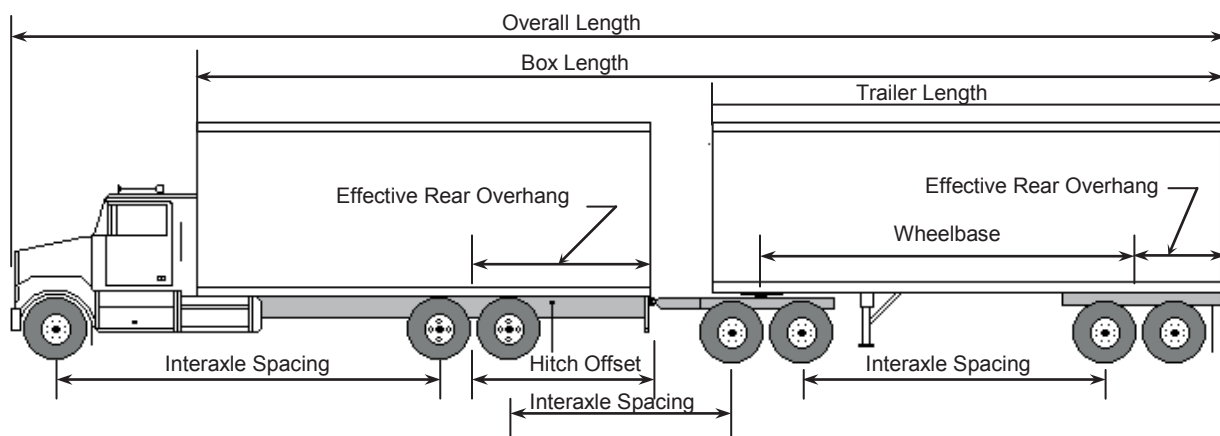
Part 2 - Weight Limits



WEIGHTS ³²	LIMITS
Axle Weight Limits:	
Truck:	
Tandem Steering Axle: Spread 1.2 m to 2.2 m	Maximum 16 000 kg
Tandem Drive Axle: Spread 1.2 m to 1.85 m	Maximum 18 000 kg
Trailer:	
Single Axle (dual tires)	Maximum 9100 kg
Tandem Axle: Spread 1.2 m to 1.85 m	Maximum 18 000 kg
Tridem Axle: Spread 2.4 m - 3.7 m	Maximum 21 000 kg
Gross Vehicle Weight Limits:	
Five Axles	Maximum 43 100 kg
Six Axles	Maximum 50 000 kg
Seven Axles	Maximum 53 500 kg

³² See note 30.

Category 8: Truck - Full Trailer Combination
Part 1 - Dimension Limits



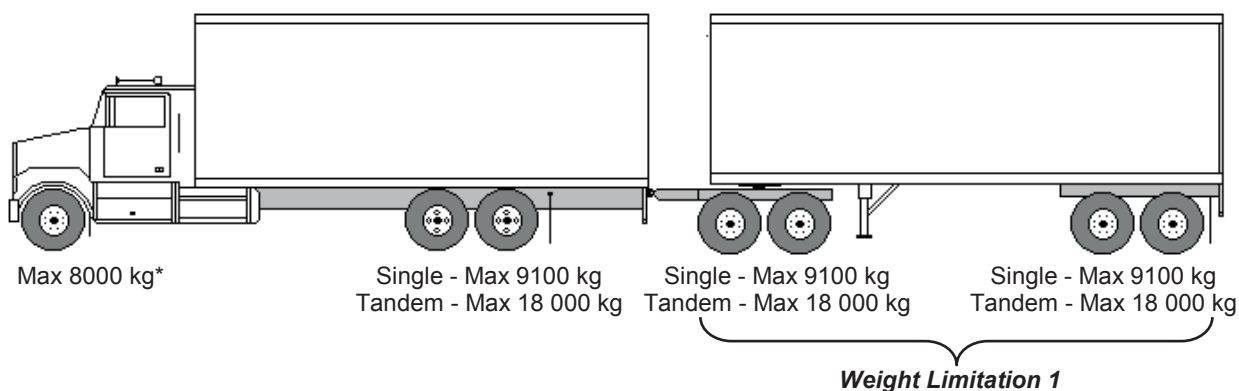
DIMENSION	LIMIT
Overall Length	Maximum 23 m
Overall Width	Maximum 2.6 m
Overall Height	Maximum 4.15 m
Box Length	Maximum 20 m
Truck:	
Length	Maximum 12.5 m
Wheelbase	Not controlled
Tandem Axle Spread	Minimum 1.2 m/Maximum 1.85 m
Effective Rear Overhang	Maximum 4.0 m
Hitch Offset	Maximum 1.8 m
Full Trailer	
Length	Maximum 12.5 m
Wheelbase	Minimum 6.25 m
Tandem Axle Spread	Minimum 1.2 m/Maximum 1.85 m
Track Width: With dual tires	Minimum 2.5 m/Maximum 2.6 m
With single tires ³³	Minimum 2.45 m/Maximum 2.6 m
Effective Rear Overhang	Maximum 35% of wheelbase

³³ See note 4.

DIMENSION	LIMIT
Converter Dolly	The use of a double drawbar or C Dolly is not permitted on this combination
Interaxle Spacings	
Single Axle to Single or Tandem Axle	Minimum 3.0 m
Tandem Axle to Tandem Axle	Minimum 5.0 m

Category 8: Truck - Full Trailer Combination

Part 2 - Weight Limits

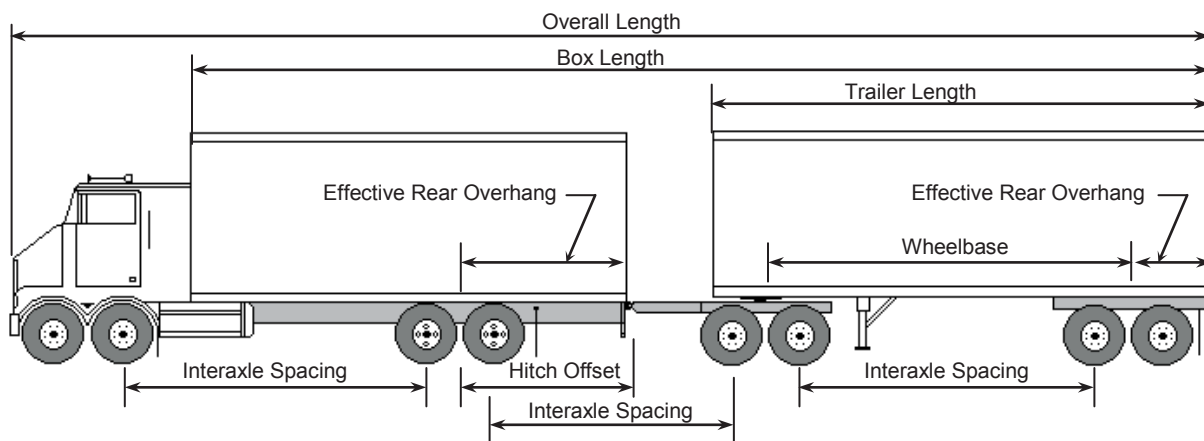


WEIGHT ³⁴	LIMIT
Axle Weight Limits:	
Steering Axle	Maximum 8000 kg*
Single Axle (dual tires)	Maximum 9100 kg
Tandem Axle:	
Axle Spread 1.2 m to 1.85 m	Maximum 18 000 kg
Weight Limitation 1:	
Sum of Axle Weights of Full Trailer	
4 Axle Truck-Trailer Combination	Maximum 17 000 kg
5 Axle Truck-Trailer Combination	Maximum 17 000 kg
6 Axle Truck-Trailer Combination	Maximum 24 000 kg
7 Axle Truck-Trailer Combination	Maximum 31 000 kg
Gross Vehicle Weight Limits:	
Four Axles	Maximum 34 100 kg
Five Axles	Maximum 43 000 kg
Six Axles	Maximum 50 000 kg
Seven Axles	Maximum 53 500 kg

* The steering axle weight can be as high as 9100 kg provided the load carrying capacity of the axle, tires, and all other components is not exceeded, and the tire loading does not exceed 10 kg per mm of width. However, the Gross Vehicle Weight limit will be based on a steering axle weight of 8000 kg.

³⁴ See note 18.

Category 9: Tandem Steering Axle Truck - Full Trailer Combination
Part 1 - Dimension Limits

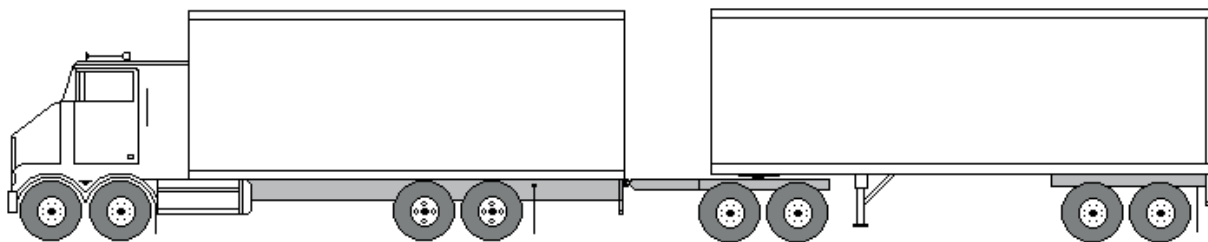


DIMENSION	LIMIT
Overall Length	Maximum 23 m
Overall Width	Maximum 2.6 m
Overall Height	Maximum 4.15 m
Box Length	Maximum 20 m
Truck:	
Length	Maximum 12.5 m
Wheelbase	Not controlled
Tandem Steering Axle Spread	Minimum 1.2 m/Maximum 2.2 m
Tandem Drive Axle Spread	Minimum 1.2 m/Maximum 1.85 m
Effective Rear Overhang	Maximum 4.0 m
Hitch Offset	Maximum 1.8 m
Full Trailer	
Length	Maximum 12.5 m
Wheelbase	Minimum 6.25 m
Tandem Axle Spread	Minimum 1.2 m/Maximum 1.85 m
Track Width: With dual tires	Minimum 2.5 m/Maximum 2.6 m
With single tires ³⁵	Minimum 2.45 m/Maximum 2.6 m
Effective Rear Overhang	Maximum 35% of wheelbase

³⁵ See note 4.

DIMENSION	LIMIT
Converter Dolly	The use of a double drawbar or C Dolly is not permitted on this combination
Interaxle Spacings	
Tandem Steering Axle to Tandem Drive Axle	Minimum 3.65 m
Single Axle to Single or Tandem Axle	Minimum 3.0 m
Tandem Axle to Tandem Axle	Minimum 5.0 m

Category 9: Tandem Steering Axle Truck - Full Trailer Combination
Part 2 - Weight Limits



Tandem Steering Axle
 Max 16 000 kg

Tandem Drive Axle
 Max 18 000 kg

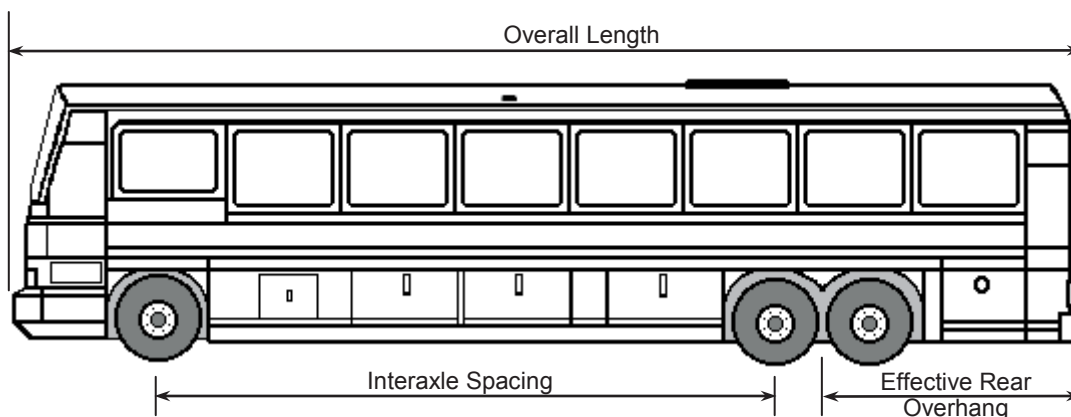
Single - Max 9100 kg
 Tandem - Max 18 000 kg

Single - Max 9100 kg
 Tandem - Max 18 000 kg

WEIGHT ³⁶	LIMIT
Axle Weight Limits:	
Tandem Steering Axle	Maximum 16 000 kg
Single Axle (dual tires)	Maximum 9100 kg
Tandem Drive Axle:	
Axle Spread 1.2 m to 1.85 m	Maximum 18 000 kg
Gross Vehicle Weight Limits:	
Six Axles	Maximum 51 000 kg
Seven Axles	Maximum 53 500 kg
Eight Axles	Maximum 53 500 kg

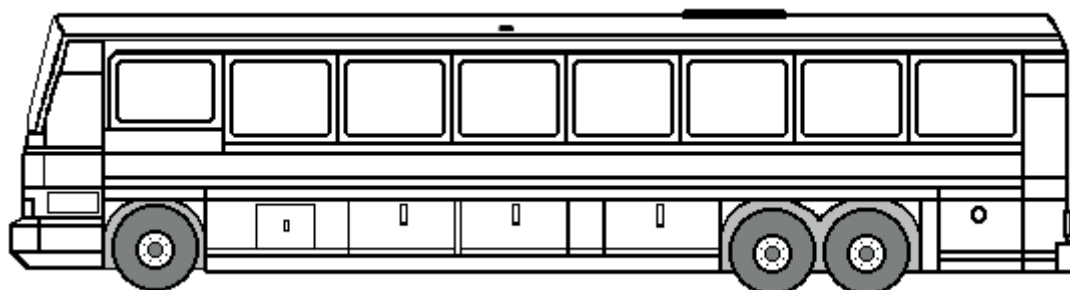
³⁶ See note 18.

Category 10: Intercity Bus
Part 1 - Dimension Limits



DIMENSION	LIMIT
Overall Length	Maximum 14.0 m
Overall Width	Maximum 2.6 m
Overall Height	Maximum 4.15 m
Wheelbase	Not controlled
Tandem Axle Spread	Minimum 1.2 m/Maximum 1.85 m
Effective Rear Overhang	Maximum 4.0 m
Axle Requirements:	
Overall length 12.5 m or less	Not controlled
Overall length greater than 12.5 m	Minimum 3 axles

Category 10: Intercity Bus
Part 2 - Weight Limits



Max 7250 kg*

Single Axle (single tires) - Max 6000 kg
 Single Axle (dual tires) - Max 9100 kg
 Tandem Axle - Max 18 000 kg

WEIGHT	LIMIT
Axle Weights:	
Steering Axle	Maximum 7250 kg*
Single Axle (dual tires)	Maximum 9100 kg
Single Axle (single tires)	Maximum 6000 kg
Tandem Axle (dual tires on both axles)	Maximum 18 000 kg
Gross Vehicle Weight Limits:	
Two axles (4 tires)	Maximum 13 250 kg
Two Axles (6 tires)	Maximum 16 350 kg
Three axles (8 tires)	Maximum 20 900 kg
Three axles (10 tires)	Maximum 25 250 kg

* The steering axle weight can be as high as 9100 kg provided the load carrying capacity of the axle, tires, and all other components is not exceeded, and the tire loading does not exceed 10 kg per mm of width. However, the Gross Vehicle Weight limit will be based on a steering weight of 7250 kg.

Schedule C

Weight Knockdown Formula

Adjacent Axle Groups	Observed Spacing	GVW Reduction
Single Axle-Single Axle		
(Min 3.0 m required)	2.5-2.99 m	1000 kg
	2.0-2.49 m	2000 kg
	1.5-1.99 m	3000 kg
	1.0-1.49 m	4000 kg
Single Axle-Tandem		
(Min 3.0 m required)	2.5-2.99 m	1000 kg
	2.0-2.49 m	2000 kg
	1.5-1.99 m	3000 kg
	1.0-1.49 m	4000 kg
Single-Tridem		
(Min 3.0 m required)	2.5-2.99 m	1000 kg
	2.0-2.49 m	2000 kg
	1.5-1.99 m	3000 kg
	1.0-1.49 m	4000 kg
Tandem-Tandem		
(Min 5.0 m required)	4.5-4.99 m	1000 kg
	4.0-4.49 m	2000 kg
	3.5-3.99 m	3000 kg
	3.0-3.49 m	4000 kg
	2.5-2.99 m	5000 kg
	2.0-2.49 m	6000 kg
	1.5-1.99 m	7000 kg
	1.0-1.49 m	8000 kg
Tandem-Tridem		
(Min 5.5 m required)	5.0-5.49 m	1000 kg
	4.50-4.99 m	2000 kg
	4.0-4.49 m	3000 kg
	3.5-3.99 m	4000 kg
	3.0-3.49 m	5000 kg
	2.5-2.99 m	6000 kg
	2.0-2.49 m	7000 kg
	1.5-1.99 m	8000 kg
	1.0-1.49 m	9000 kg

Schedule D

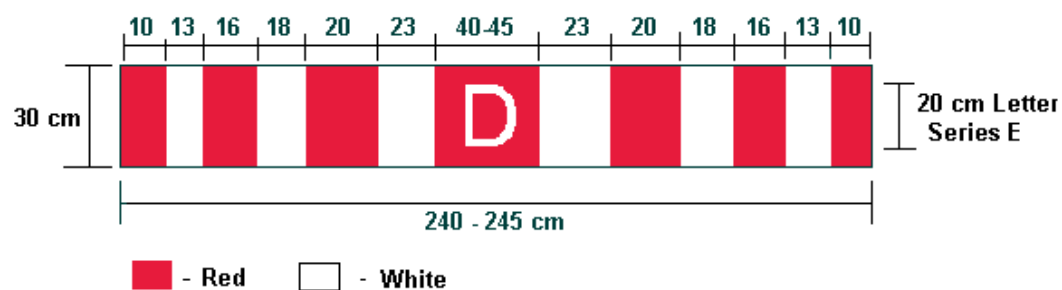
Overdimensional or "D" Signs

The "D" Sign has been adopted to identify overdimensional vehicles. Use of Wide Load, Long Load or Over-size Load signs is not permitted or recognized as suitable alternatives.

For Oversize Vehicle:

The vehicle transporting an overdimensional load must be equipped with warning "D" signs at front and rear which meet the following specifications:

Section Widths (cm)



Colour: White level II reflectance and stop sign red (# 712 3M or equivalent)

Material: The sign panel must be fabricated of retroflective material.

For Escort Vehicle:

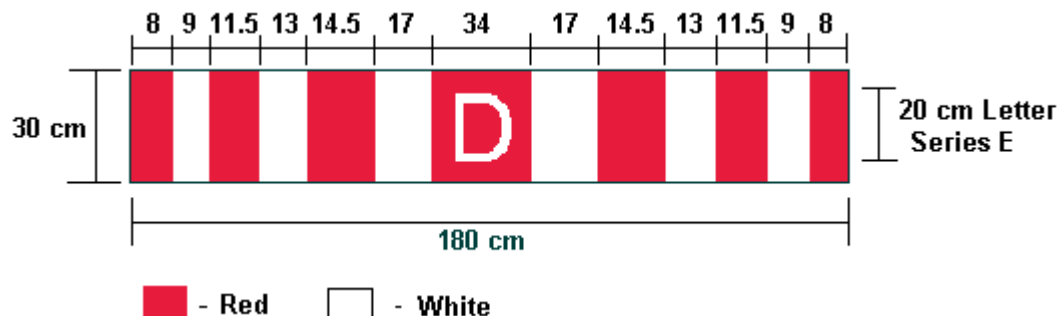
The escort vehicle must be equipped with either warning "D" signs or a lighted sign box. The sign or lighted sign box must be visible to approaching traffic:

- from the front when leading an overdimensional vehicle or load
- from the rear when following an overdimensional vehicle or load.

If warning "D" Signs are used, they must meet the following specifications:

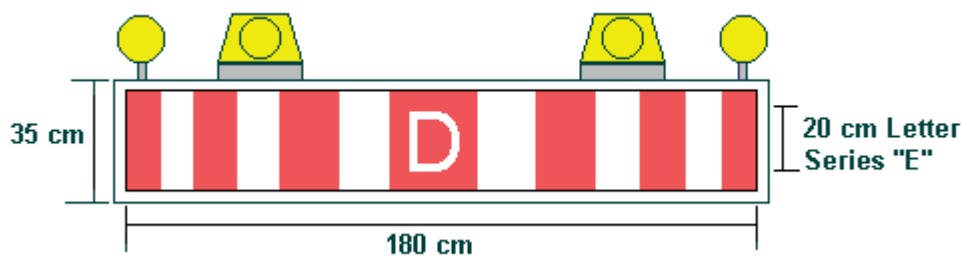
Small Sign

Section Widths (cm)



If a lighted sign box is used, it must meet the following specifications:

- the sign must be upright when in use, and clearly visible from the front and rear of the vehicle (the sign must be folded flat when not in use or not required, or must be removed from the vehicle)



Box Dimensions - the box must be 180 centimetres x 35 centimetres x 10 centimetres and constructed of mild steel material with inside and outside surfaces of baked white enamel. The box must shelter all wire connectors, switches, flashers, etc.

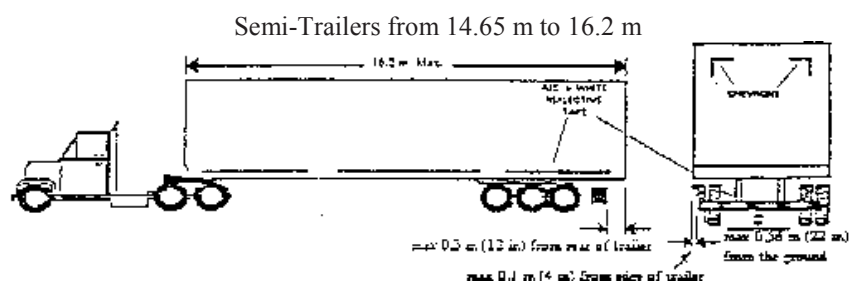
Illumination - A sufficient number of lamps must be mounted in the box and spaced to give even lighting of the sign background across its full width.

Sign Panel - the sign panel must be 3 millimetres thick, with a white plexi-glass background with red bars painted with transparent red paint. The letter "D" must be white in color and must be 20 centimetres high, Series E.

Outboard Lights - must consist of two 175-millimetre (minimum) amber lights with reflectors, rated at 12.5 volts, 3 amps and 0.50 candela with a rated life of 300 hours.

Inboard Lights - must consist of 2 standard 203-millimetre rotating amber lights, with 2 sealed beam units per lamp.

Schedule E



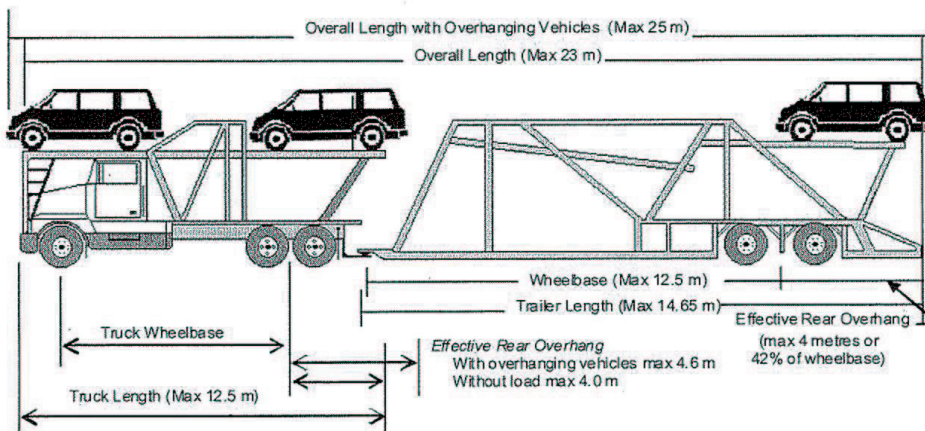
1. Semi-trailers greater than 14.65 metres in length may not be equipped with a liftable axle.
2. Semi-trailers greater than 14.65 metres in length and manufactured after July 14, 1993 must be equipped with the following conspicuity requirements:
 - Alternating red and white reflective tape 5 cm wide along the sides and rear of the trailer.
 - As close to 1.2 m above the road as possible.
 - Must cover at least half the trailer length.
 - No more than 2/3 in one colour.
 - Alternating red and white reflective segments along the rear under ride protection.
 - White reflective chevron 30 cm long in upper corners of rear.

Semi-trailers greater than 14.65 metres in length and manufactured on or before July 14, 1993 must be equipped with the above conspicuity requirements by January 1, 2002.

3. Semi-trailers greater than 14.65 metres in length and built after July 14, 1993 and
 - (a) equipped with sliding axles or fixed axles with more than 0.3 m rear overhang; or
 - (b) the bottom of the rear structure of the trailer is more than 0.56 m above the ground must be equipped with rear under ride protection of adequate strength and conforming to the dimensions specified in the above diagram.
4. Semi-trailers greater than 14.65 metres in length and manufactured after October 1994 must be equipped with automatic slack adjusters.

Schedule F

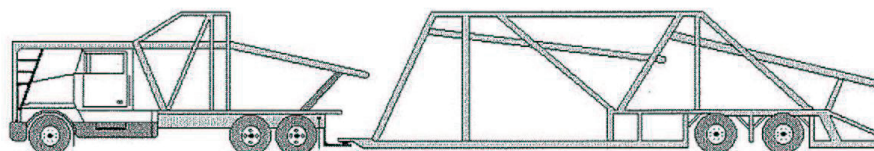
Category S1: Stinger Steer Automobile Carrier
Part 1 - Dimension Limits



DIMENSION	LIMIT
Overall Length	
- without load	Maximum 23 m
- when loaded with overhanging motor vehicles	Maximum 25 m
Overall Width	Maximum 2.6 m
Overall Height	Maximum 4.3 m
Truck:	
Overall Length	Maximum 12.5 m
Wheelbase	Not Controlled
Tandem Axle Spread	Min 1.2 m/Max 1.85 m
Fifth wheel offset (behind centre of drive axle or axle group)	Not controlled
Load Overhang at front of tractor (beyond tractor bumper)	Maximum 1.0 m
Effective Rear Overhang - without load	Maximum 4.0 m
- when loaded with overhanging motor vehicles	Maximum 4.6 m
Semitrailer	
Length	Maximum 14.65 m
Wheelbase	Min 6.25 m/Max 12.5 m
Effective Rear Overhang (excluding overhanging load)	Maximum 4 m or 42% of wheelbase, whichever is greater
Load Overhang at Rear of Semitrailer (provided width of overhang does not exceed 2.3 m)	Maximum 1.2 m
Tandem Axle Spread	Min 1.2 m/Max 1.85 m
Interaxle Spacing	
Single Axle to Single or Tandem Axle	Minimum 3.0 m
Tandem Axle to Tandem Axle	Minimum 5.0 m

Note: Extendable support plates are considered to be part of the load.

Category S1: Stinger Steer Automobile Carrier
Part 2 - Weight Limits



Max 6000 kg

Single Axle - Max 9100 kg
 Tandem Axle - Max 17 000 kg

Single Axle - Max 9100 kg
 Tandem Axle - Max 17 000 kg

WEIGHT	LIMIT
Axle Weights:	
Steering Axle	Maximum 6000 kg
Single Axle (dual tires)	Maximum 9100 kg
Tandem Axle:	
Axle Spread 1.2 m - 1.85 m	Maximum 17 000 kg
Gross Vehicle Weight:	Sum of Axle Weights
Three Axles	Maximum 24 200 kg
Four Axles	Maximum 32 100 kg
Five Axles	Maximum 40 000 kg

©Queen's Printer



**NEWFOUNDLAND AND LABRADOR
REGULATION 83/17**

Official Administrator for the Town of Duntara Order Repeal Order
under the
Municipal Affairs Act

(Filed September 12, 2017)

Under the authority of section 6 of the *Municipal Affairs Act*, I make the following order.

Dated at St. John's, September 6, 2017.

Eddie Joyce
Minister of Municipal Affairs and Environment

ORDER

Analysis

- | | |
|----------------|-----------|
| 1. Short title | 2. Repeal |
|----------------|-----------|

Short title

1. This Order may be cited as the *Official Administrator for the Town of Duntara Order Repeal Order*.

Repeal

2. The *Official Administrator for the Town of Duntara Order, Newfoundland and Labrador Regulation 17/12, is repealed*.

©Queen's Printer

Index

PART I

Corporations Act - Notices.....	279
Embalmers and Funeral Directors Act, 2008 - Notices	285
Lands Act - Notices.....	289
Motor Carrier Act - Notice.....	291
Trustee Act – Notice	291

PART II

CONTINUING INDEX OF SUBORDINATE LEGISLATION

Title of Act and Subordinate Legislation made thereunder	CNLR or NL Reg.	Amendment	NL Gazette Date & Page No.
Highway Traffic Act			
Vehicles Regulations, 2001 (Amdt.)	NLR 82/17	Amends NLR 81/01 Schedules R&S	Sept 15/17 p. 1223
Municipal Affairs Act			
Official Administrator for the Town of Duntara Order Repeal Order	NLR 83/17	Repeals NLR 17/12	Sept 15/17 p. 1271

The Newfoundland and Labrador Gazette is published from the Office of the Queen's Printer.

Copy for publication must be received by **Friday, 4:30 p.m.**, seven days before publication date to ensure inclusion in next issue. Advertisements must be submitted in either PDF format or as a MSWord file. When this is not possible, advertisements must be either, typewritten or printed legibly, separate from covering letter. Number of insertions required must be stated and the names of all signing officers typewritten or printed.

Copy may be mailed to the address below, faxed to (709) 729-1900 or emailed to queensprinter@gov.nl.ca. Subscription rate for *The Newfoundland and Labrador Gazette* is \$144.38 for 52 weeks plus 15% HST (\$166.04). Weekly issues, \$3.47 per copy, plus 15% HST (\$3.99) payable in advance.

All cheques, money orders, etc., should be made payable to THE NEWFOUNDLAND EXCHEQUER ACCOUNT and all correspondence should be addressed to: Office of the Queen's Printer, P. O. Box 8700, Ground Floor, East Block, Confederation Building, St. John's, NL A1B 4J6, Telephone: (709) 729-3649, Fax: (709) 729-1900.

Web Site: <http://www.servicenl.gov.nl.ca/printer/index.html>

The Newfoundland and Labrador Gazette
Advertising Rates
Prices effective July 1, 2016

Notices	Rate	15%	HST Total
Lands Act - Notice of Intent - 1 week	\$31.13	\$4.67	\$35.80
Motor Carrier Act - Notice - 1 week	\$39.90	\$5.99	\$45.89
Trustee Act - Estate Notice - 1 week	\$34.65	\$5.20	\$39.85
Trustee Act - Estate Notice - 2 weeks	\$62.37	\$9.36	\$71.73
Trustee Act - Estate Notice - 3 weeks	\$91.25	\$13.69	\$104.94
Trustee Act - Estate Notice - 4 weeks	\$118.97	\$17.85	\$136.82

All other public notices required by law to be published in *The Newfoundland and Labrador Gazette*, eg., Corporations Act, Municipalities Act, Quieting of Titles Act, Urban and Rural Planning Act, etc., are priced according to size: for Single Column \$3.47 per cm or Double Column \$6.93 per cm, plus 15% HST.

For quotes please contact the Office of the Queen's Printer queensprinter@gov.nl.ca

**Government Information Product
Publication Rate Mail
G.S.T. # R107442683**