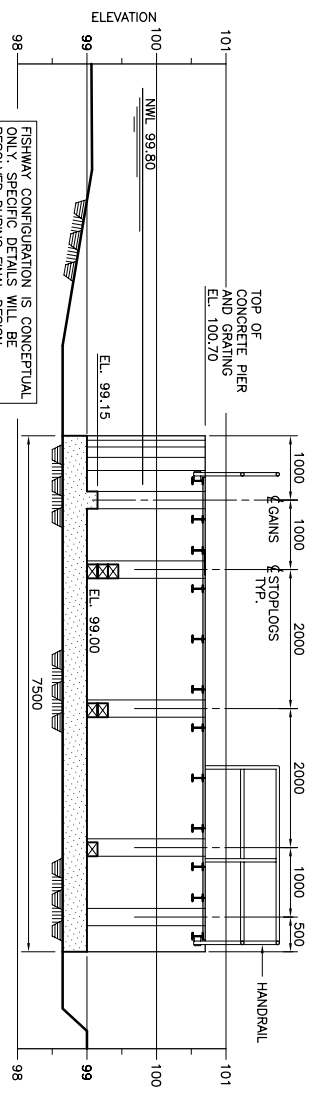
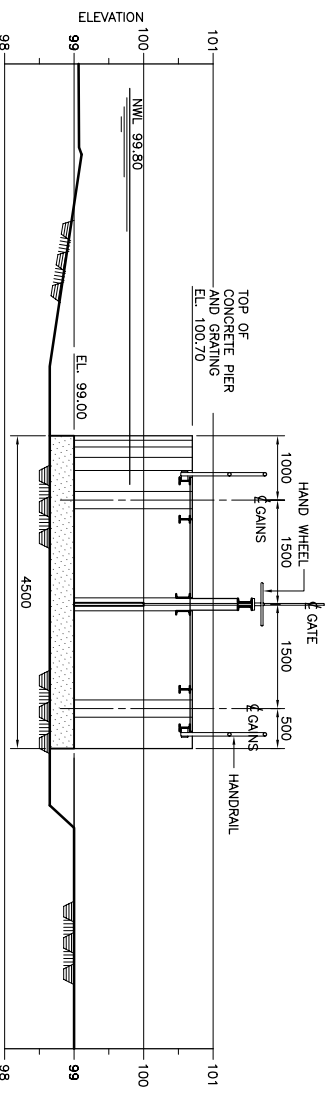


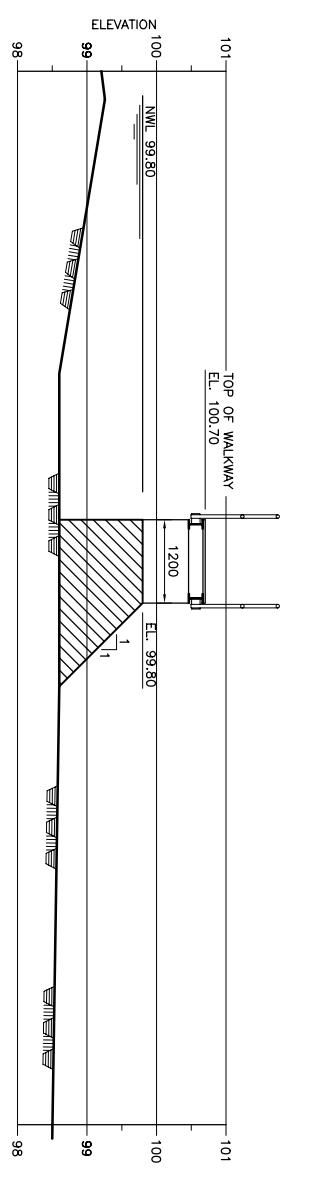
PLAN OF FISHWAY AND GATED CONTROL STRUCTURES



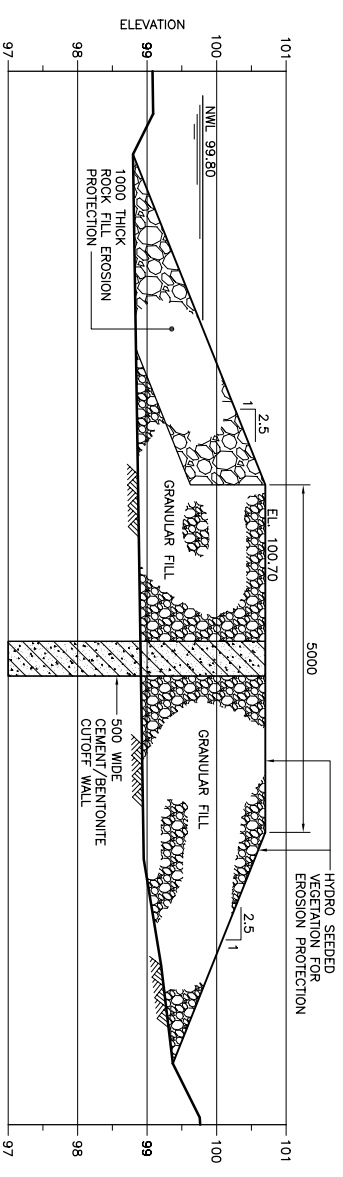
SECTION A-A THROUGH FISHWAY



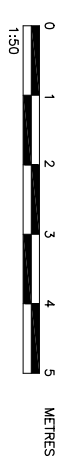
SECTION B-B THROUGH GATED CONTROL STRUCTURE



SECTION C-C THROUGH OVERFLOW WEIR



SECTION D-D TYPICAL FILL DAM SECTION



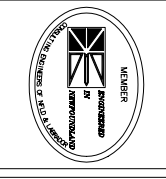
LEGEND
 SOIL
 BEDROCK

PRELIMINARY
 NOT FOR CONSTRUCTION

ALL DIMENSIONS ARE IN MILLIMETRES.
 ALL ELEVATIONS ARE IN METRES.

No.	Description	Date	By
R E V I S I O N S			

PROVINCE OF NEWFOUNDLAND
 PERMIT HOLDER
 CLASS "A"
 This Permit Allows
SGE Acres Limited
 to practice Professional Engineering
 in Newfoundland and Labrador
 Permit No. as Issued by APECN 10082
 which is valid for the year 2003...



SGE Acres Ltd.
 Postal Service 1086, Clarenville, NF, A0E 1J0
 Phone : (709) 468-1988
 Fax : (709) 468-2188
 email : clarenville@sgeacres.com

Consultants

Project Title
**TOWN OF CLARENVILLE
 ANDREW'S POND
 WATER CONTROL STRUCTURE**

Drawing Title
**FISHWAY, GATED CHANNEL
 OVERFLOW WEIR AND DAM
 CROSS SECTIONS**

Dwn. By _____ Chk. By _____

Date FEBRUARY 2003 Scale 1:50

AS BUILT CHECK LIST

Prof. Mgr. _____ Field Insp. _____

Proj. No. P50466.02 Sheet No. 2 OF 2 Rev. No. _____