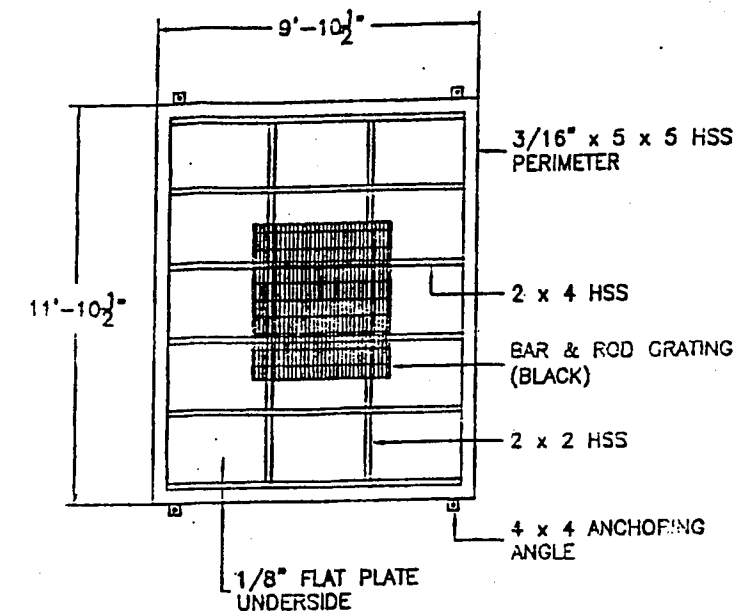


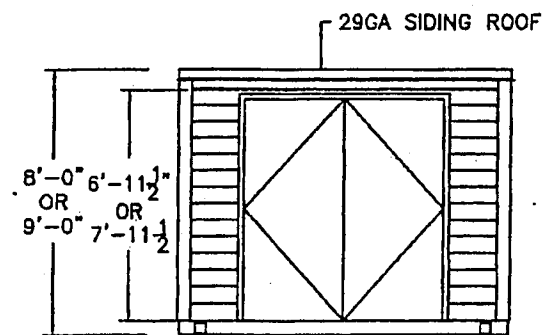
ROOF STRUCTURE

SNOW LOAD = 70 psf
WIND LOAD = 14 psf

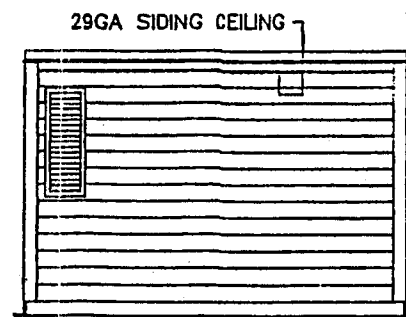


BASE STRUCTURE CONTAINMENT FLOOR

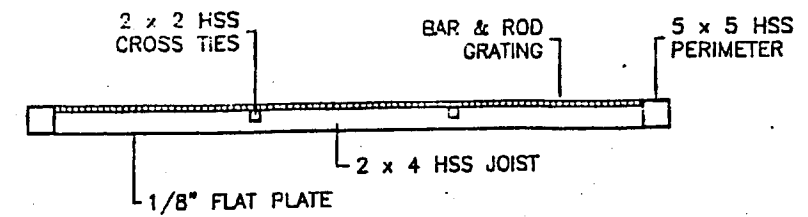
FLOOR LOAD = 225 psf



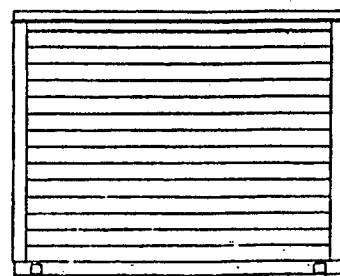
ELEVATION 1



ELEVATION 2



BASE STRUCTURE CROSS SECTION



ELEVATION 3



ELEVATION 4