

SYMBOL LEGEND

| | | | | | | |
|--|--|--|-------|----------------------------------|--|---|
| | EXISTING TO REMAIN (LIGHT) | | SAN | UNDERGROUND SANITARY PIPING | | PRESSURE GAUGE |
| | NEW WORK/REMOVALS (DARK) | | SAN | ABOVE GROUND SANITARY PIPING | | TEMPERATURE GAUGE |
| | RECTANGULAR DUCTWORK | | PC | PUMPED CONDENSATE PIPING | | AUTOMATIC AIR VENT |
| | ROUND DUCTWORK | | PG | PROPANE GAS PIPING | | NEW TO EXISTING CONNECTION |
| | SUPPLY DUCT RISER UP | | V | VENT PIPING | | PUMP |
| | SUPPLY DUCT RISER DOWN | | TP | TRAP PRIMING PIPING | | CARBON FILTER SECTION |
| | RETURN DUCT RISER UP | | DCW | DOMESTIC COLD WATER PIPING | | RELAY |
| | RETURN DUCT RISER DOWN | | DHW | DOMESTIC HOT WATER PIPING | | PUSHBUTTON OVERRIDE |
| | EXHAUST DUCT RISER UP | | DHW R | DOMESTIC HOT WATER RETURN PIPING | | TEMPERATURE SENSOR |
| | EXHAUST DUCT RISER DOWN | | NPW | NON-POTABLE WATER PIPING | | AVERAGING TEMPERATURE SENSOR |
| | ROUND AIR DUCT RISER UP | | D | DRAIN PIPING | | CARBON DIOXIDE SENSOR |
| | ROUND AIR DUCT DOWN | | RL | REFRIGERANT LIQUID PIPING | | STATIC PRESSURE SENSOR |
| | FIRE DAMPER | | RS | REFRIGERANT SUCTION PIPING | | CURRENT TRANSDUCER |
| | THERMALLY INSULATED DUCTWORK | | G | PROPANE GAS PIPING | | ANALOG OUTPUT POINT |
| | ACOUSTICALLY INSULATED DUCTWORK | | CO2 | CARBON DIOXIDE PIPING | | ANALOG INPUT POINT |
| | FLEXIBLE DUCT CONNECTION | | | 90° ELBOW FITTING | | BINARY OUTPUT POINT |
| | RECTANGULAR TRANSITION | | | Y FITTING | | BINARY INPUT POINT |
| | TRANSITION ROUND TO ROUND | | | 45° ELBOW FITTING | | POWER WIRING |
| | TRANSITION RECTANGULAR TO ROUND | | | EXISTING PIPING DOWN | | CONTROL WIRING |
| | NEW ROUND SPIN COLLAR (ONE-WAY) BRANCH TAKE-OFF c/w BALANCING DAMPER AND FLEXIBLE DUCT | | | EXISTING PIPING UP | | ELECTRIC REHEAT COIL c/w SCR DISCONNECT |
| | NEW ROUND SPIN COLLAR (TWO-WAY) BRANCH TAKE-OFF c/w BALANCING DAMPER AND FLEXIBLE DUCT | | | TEE FITTING DOWN | | DIFFERENTIAL PRESSURE SENSOR |
| | ELBOW TURNING VANES | | | VALVE ON VERTICAL PIPE | | MOTORIZED DAMPER |
| | AIR FLOW DIRECTION FOR SUPPLY OR FRESH AIR | | | TOP BRANCH FITTING | | AIR FILTER |
| | AIR FLOW DIRECTION FOR RETURN, EXHAUST OR OUTSIDE AIR | | | ISOLATION VALVE | | HEATING COIL |
| | SUPPLY DIFFUSER | | | PRESSURE REGULATING VALVE | | VARIABLE FREQUENCY DRIVE |
| | RETURN GRILLE | | | BALL VALVE | | FAN |
| | EXHAUST GRILLE | | | BUTTERFLY VALVE | | |
| | | | | CIRCUIT BALANCING VALVE | | |
| | | | | CHECK VALVE | | |
| | | | | STRAINER | | |
| | | | | PIPE UNION | | |
| | | | | CONCENTRIC REDUCER | | |
| | | | | BACKFLOW PREVENTION DEVICE | | |
| | | | | RELIEF VALVE | | |

2 M000 SYMBOL LEGEND

DRAWING LIST

| DWG. NO. | DESCRIPTION | AS NOTED |
|----------|--|----------|
| M000 | MECHANICAL COVER SHEET | AS NOTED |
| M100 | FIRST FLOOR PLAN - SANITARY PLUMBING | AS NOTED |
| M101 | MEZZANINE FLOOR PLAN - SANITARY PLUMBING | AS NOTED |
| M102 | FIRST FLOOR PLAN - DOMESTIC WATER PLUMBING | AS NOTED |
| M103 | SCHEDULES AND DETAILS - PLUMBING | AS NOTED |
| M200 | FIRST FLOOR PLAN - AIR DISTRIBUTION | AS NOTED |
| M201 | MEZZANINE FLOOR PLAN - AIR DISTRIBUTION | AS NOTED |
| M202 | AIR DISTRIBUTION SECTIONS | AS NOTED |
| M203 | AIR DISTRIBUTION DETAILS | AS NOTED |
| M204 | AIR DISTRIBUTION SCHEDULES | AS NOTED |
| M300 | CONTROL SCHEMATICS | AS NOTED |
| M301 | CONTROL SCHEMATICS | AS NOTED |

3 M000 DRAWING LIST

powers brown architecture
 Architectural Consultant:
 Powers Brown Architecture
 354 Water St., Suite 212
 St. John's, NL A1C 1C4
 709.726.3941
 www.powersbrown.com

PROJECT TITLE
STEPHENVILLE GROW - REMODEL
 3 WESTERN DRIVE
 BARACHOIS BROOK, NL A0N 1B0
 A PROJECT FOR
CULTIVATION CATALYST CORP.

GENERAL NOTES

 77 VAUGHAN HARVEY BLVD, SUITE 200
 MONCTON, NB E1C 0K2
 BUS: (506) 857-8880 FAX: (506) 859-8393
 WWW.MCW.COM ENG. JOB NO. 11-18-026

| DATE | REVISION |
|------------|------------------|
| 06.13.2018 | Issue for Tender |
| | |
| | |
| | |
| | |
| | |
| | |
| | |
| | |

PROJECT NO: 183003
 DRAWN BY: J.V.
 CHECKED BY: M.G.

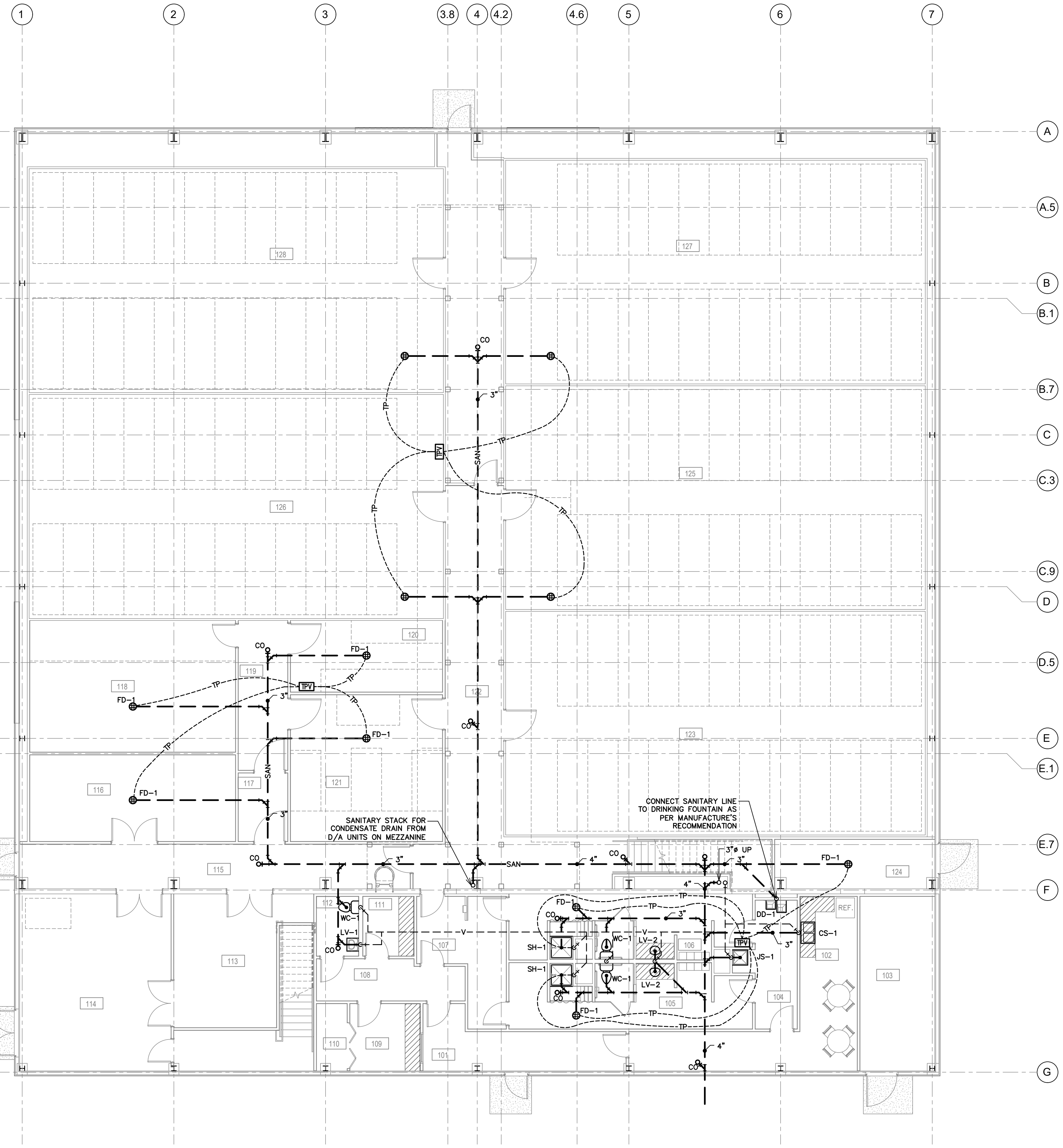
SHEET TITLE
MECHANICAL COVER SHEET

| SEAL | SHEET NUMBER |
|------|--------------|
| | M000 |

DATE PLOTTED 6/13/2018 6:05 PM

1 M000 SITE PLAN

SCALE: 1/32"=1'-0"



| PLUMBING LEGEND | |
|-----------------|-------------------------------------|
| —DCW— | DOMESTIC COLD WATER SUPPLY PIPING |
| —DHW— | DOMESTIC HOT WATER SUPPLY PIPING |
| —DHWR— | DOMESTIC HOT WATER RECIRC. PIPING |
| —SAN— | UNDERFLOOR SANITARY DRAINAGE PIPING |
| —SD— | UNDERFLOOR STORM DRAINAGE PIPING |
| —SD— | ABOVE FLOOR STORM DRAINAGE PIPING |
| —V— | SANITARY VENT PIPING |
| —TP— | 3/8" TRAP PRIMER LINE UNDER FLOOR |
| ⊗ | ISOLATION VALVE |
| ⊗ | CHECK VALVE |
| ⊕ | FLOOR DRAIN |
| ⊕ | HUB DRAIN |
| —HB | HOSE BIBB |
| —WH | WALL HYDRANT |
| TPV | TRAP PRIMER VALVE |

2 M100 SYMBOL LEGEND

| ROOM NAME LIST | |
|----------------|--------------------------------|
| NO. | ROOM NAME |
| 101 | VESTIBULE |
| 102 | LUNCH ROOM |
| 103 | ELECTRICAL ROOM |
| 104 | HALL |
| 105 | LOCKER AND GOWNING |
| 106 | LOCKER AND GOWNING |
| 107 | AIR LOCK |
| 108 | HALL |
| 109 | SECURITY |
| 110 | SERVER / IT |
| 111 | OFFICE |
| 112 | WASHROOM |
| 113 | SOIL PREP / STORAGE |
| 114 | SHIPPING / RECEIVING |
| 115 | DIRTY CORRIDOR |
| 116 | WATER / NUTRIENTS |
| 117 | AIR LOCK |
| 118 | MOTHERS |
| 119 | HALL |
| 120 | PROPAGATION |
| 121 | VEGETATION |
| 122 | CLEAN CORRIDOR |
| 123 | FLOWER ROOM 1 |
| 124 | MECHANICAL AND FIRE RISER ROOM |
| 125 | FLOWER ROOM 2 |
| 126 | FLOWER ROOM 4 |
| 127 | FLOWER ROOM 3 |
| 128 | FLOWER ROOM 5 |

3 M100 ROOM LIST

powers brown architecture
 Architectural Consultant:
 Powers Brown Architecture
 354 Water St., Suite 212
 St. John's, NL A1C 1C4
 709.726.3941
 www.powersbrown.com

PROJECT TITLE
STEPHENVILLE GROW - REMODEL
 3 WESTERN DRIVE
 BARACHOIS BROOK, NL A0N 1B0

A PROJECT FOR
CULTIVATION CATALYST CORP.

GENERAL NOTES

 77 VAUGHAN HARVEY BLVD, SUITE 200
 MONCTON, NB E1C 0K2
 BUS: (506) 857-8880 FAX: (506) 859-8393
 WWW.MCW.COM ENG. JOB NO. 11-18-026

| DATE | REVISION |
|------------|------------------|
| 06.13.2018 | Issue for Tender |

PROJECT NO: 183003
 DRAWN BY: G.W.
 CHECKED BY: M.G.

SHEET TITLE
FIRST FLOOR PLAN - SANITARY PLUMBING

| | |
|------|--------------|
| SEAL | SHEET NUMBER |
| | M100 |

DATE PLOTTED 6/13/2018 6:05 PM

1 M100 FIRST FLOOR PLAN - SANITARY PLUMBING

SCALE: 1/8"=1'-0"

| ROOM NAME LIST | |
|----------------|----------------|
| NO. | ROOM NAME |
| 201 | TRIM 1 |
| 202 | DRY 1 |
| 203 | DRY 2 |
| 204 | PACKAGING |
| 205 | QA / QC |
| 206 | SECURE STORAGE |

PROJECT TITLE
STEPHENVILLE GROW - REMODEL
 3 WESTERN DRIVE
 BARACHOIS BROOK, NL A0N 1B0

A PROJECT FOR
CULTIVATION CATALYST CORP.

GENERAL NOTES

MCW Maricor
 77 VAUGHAN HARVEY BLVD. SUITE 200
 MONCTON, NB E1C 0K2
 BUS: (506) 857-8880 FAX: (506) 859-8393
 WWW.MCW.COM ENG. JOB NO. 11-18-026

| DATE | REVISION |
|------------|------------------|
| 06.13.2018 | Issue for Tender |
| | |
| | |
| | |
| | |
| | |
| | |
| | |
| | |
| | |

PROJECT NO: 183003
DRAWN BY: G.W.
CHECKED BY: M.G.

SHEET TITLE
MEZZANINE FLOOR PLAN - SANITARY PLUMBING

| | |
|-------------|---------------------|
| SEAL | SHEET NUMBER |
| | M101 |

D
C
B
A



DATE PLOTTED 6/13/2018 6:05 PM

1 MEZZANINE FLOOR PLAN - SANITARY PLUMBING

SCALE: 1/8"=1'-0"

PROJECT TITLE

STEPHENVILLE GROW - REMODEL
3 WESTERN DRIVE
BARACHOIS BROOK, NL A0N 1B0

A PROJECT FOR
CULTIVATION CATALYST CORP.

GENERAL NOTES

M&W Maricor
77 VAUGHAN HARVEY BLVD., SUITE 200
MONCTON, NB E1C 0K2
BUS: (506) 857-8880 FAX: (506) 859-8393
WWW.MCW.COM ENG. JOB NO. 11-18-026

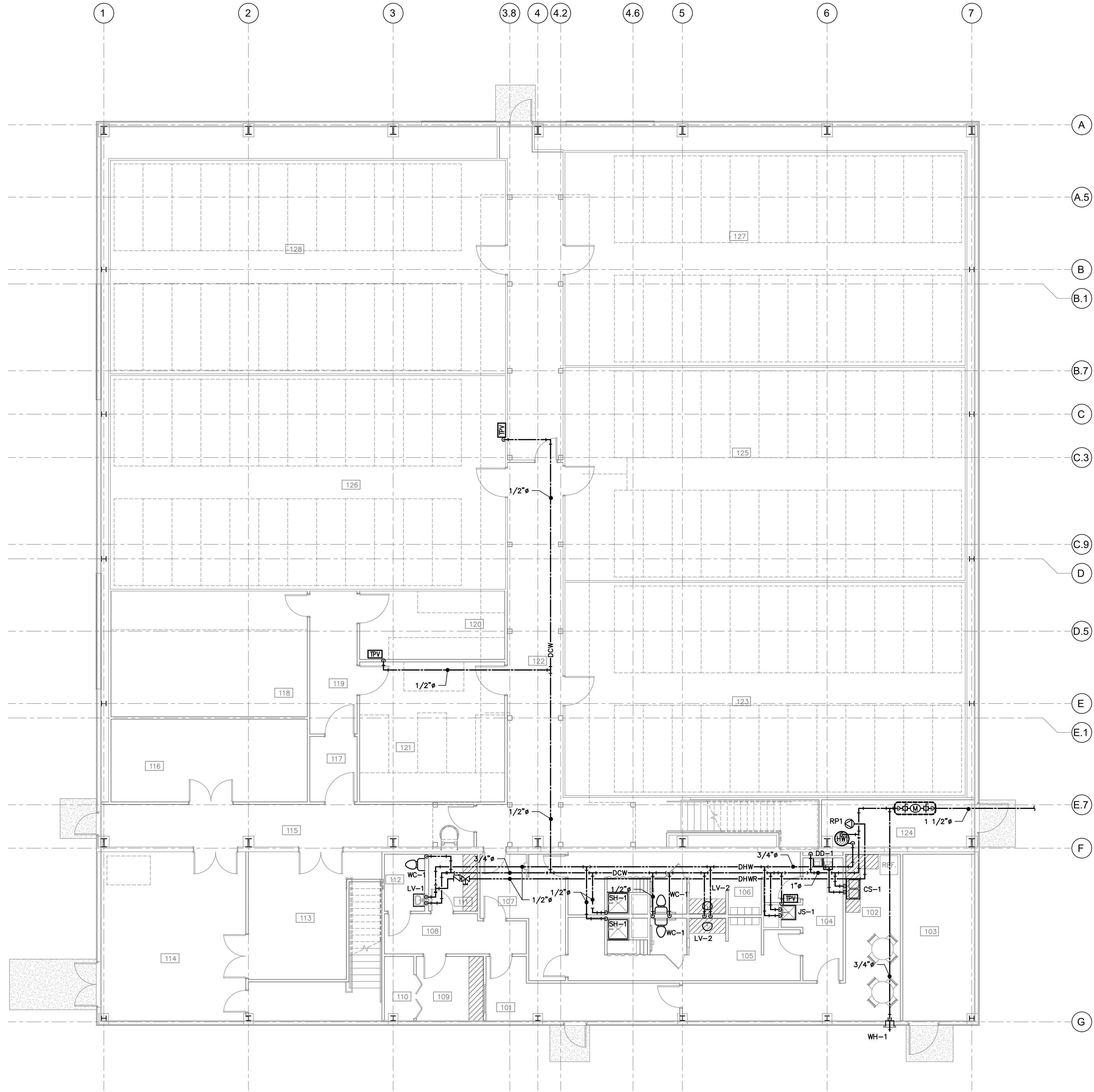
| ROOM NAME LIST | |
|----------------|--------------------------------|
| NO. | ROOM NAME |
| 101 | VESTIBULE |
| 102 | LUNCH ROOM |
| 103 | ELECTRICAL ROOM |
| 104 | HALL |
| 105 | LOCKER AND GOWNING |
| 106 | LOCKER AND GOWNING |
| 107 | AIR LOCK |
| 108 | HALL |
| 109 | SECURITY |
| 110 | SERVER / IT |
| 111 | OFFICE |
| 112 | WASHROOM |
| 113 | SOIL PREP / STORAGE |
| 114 | SHIPPING / RECEIVING |
| 115 | DIRTY CORRIDOR |
| 116 | WATER / NUTRIENTS |
| 117 | AIR LOCK |
| 118 | MOTHERS |
| 119 | HALL |
| 120 | PROPAGATION |
| 121 | VEGETATION |
| 122 | CLEAN CORRIDOR |
| 123 | FLOWER ROOM 1 |
| 124 | MECHANICAL AND FIRE RISER ROOM |
| 125 | FLOWER ROOM 2 |
| 126 | FLOWER ROOM 4 |
| 127 | FLOWER ROOM 3 |
| 128 | FLOWER ROOM 5 |

D

C

B

A



| DATE | REVISION |
|------------|------------------|
| 06.13.2018 | Issue for Tender |
| | |
| | |
| | |
| | |
| | |
| | |
| | |
| | |

PROJECT NO: 183003
DRAWN BY: G.W.
CHECKED BY: M.G.

SHEET TITLE
FIRST FLOOR PLAN - DOMESTIC WATER PLUMBING

SEAL SHEET NUMBER



M102

DATE PLOTTED 6/13/2018 6:05 PM

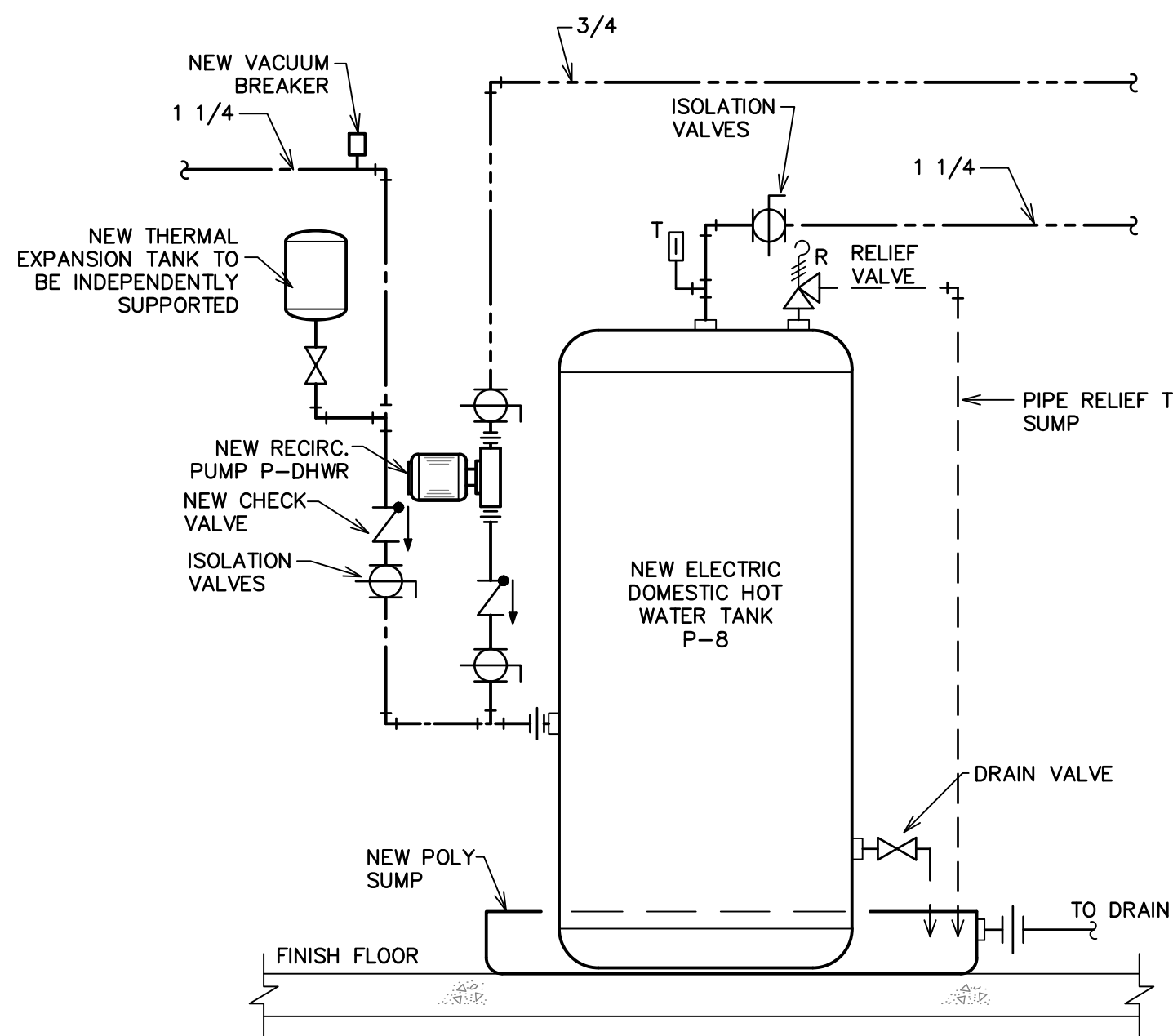
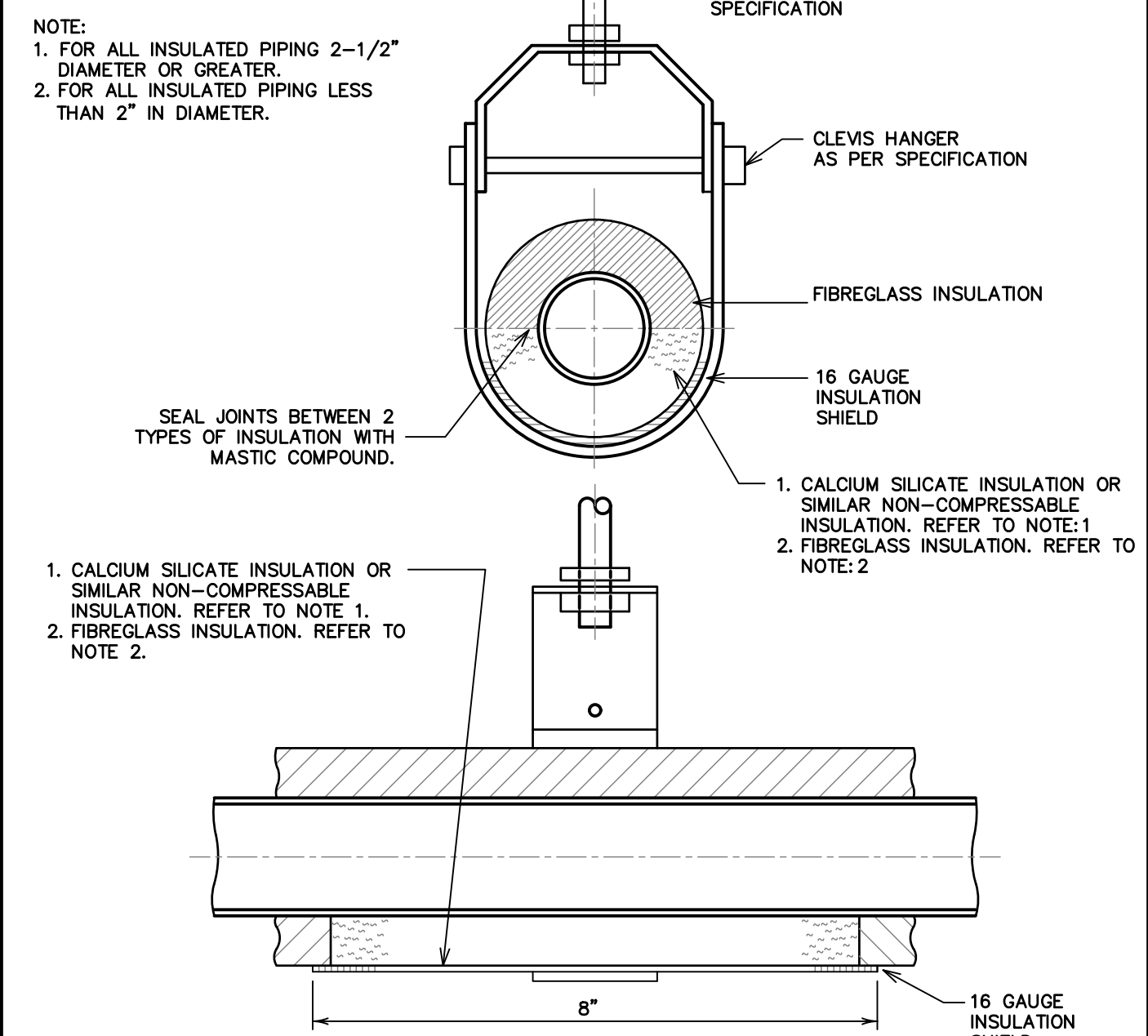
1 M102 FIRST FLOOR PLAN - DOMESTIC WATER PLUMBING

SCALE: 1/8"=1'-0"

| No. | MANUFACTURER / MODEL | PIPE SIZE (in) | | | | | REMARKS |
|--------|--|----------------|--------|------|--------|--------|--|
| | | DCW | DHW | TP | W | V | |
| WC-1 | FLOOR-MOUNTED B.F. WATER CLOSET ELONGATED, ZURN #Z5665 | 1/2" | - | - | 3" | 2" | 16 1/2" HIGH, FV2 w/ OFS1, SS1 & FRANKE #CM-16104 BACK REST |
| LV-1 | WALL HUNG LAVATORY ZURN #5364 | 1/2" | 1/2" | - | 1 1/4" | 1 1/2" | c/w F1, OSD, SS2, PT1 |
| LV-2 | COUNTERTOP CHINA LAVATORY ZURN #Z5110 | 1/2" | 1/2" | - | 1 1/4" | 1 1/2" | c/w F1, OSD, SS2, PT1 |
| SH-1 | ONE-PIECE SHOWER STALL MAAX #ALLIA SHR-3636 | 1/2" | 1/2" | - | 2" | 2" | c/w MOEN #T8346EP15 SHOWER HEAD & DRAIN KIT |
| JS-1 | JANITORS MOP SINK ZURN #Z-1996-24-BS-HH-MH-SD-WG | 1/2" | 1/2" | - | 3" | 2" | c/w F3 |
| DF-1 | TWO LEVEL DRINKING FOUNTAIN ELKAY MODEL EDFP217C | 1 1/2" | - | - | 1 1/2" | 2" | |
| CS-1 | DOUBLE BOWL COUNTERTOP SINK FRANKE #LSD6410-1 | 1/2" | 1/2" | - | 1 1/2" | 1 1/2" | c/w F2, SS2, PT2 |
| FD-1 | HEAVY DUTY FLOOR DRAIN - ZURN #ZRN-415-A-P | - | - | 1/2" | 3" | - | c/w NICKEL BRONZE STRAINER |
| FFD-1 | FUNNEL FLOOR DRAIN - ZURN #ZN-415-BF-P | - | - | 1/2" | 3" | - | |
| TPV | TAP PRIMER - PPP INC MPB-500-115V | 1/2" | - | - | - | - | c/w ENCLOSURE, 115V POWER CONNECTION, SOLENOID VALVE, AIR CAP AND PPP DISTRIBUTION UNIT. |
| DHWT-1 | HOT WATER TANK - A.O. SMITH DRE-80-36 | 1 1/4" | 1 1/4" | - | - | - | c/w T&P RELIEF VALVE, 36 kw, 575/3/60 |
| WH-1 | ENCASED, ANTI-SIPHON, NON-FREEZE WALL HYDRANT - ZURN #Z-1300 | 3/4" | - | - | - | - | |
| CO | CLEAN OUT - ZURN #Z-1612 | - | - | - | - | - | |

- OFS1 = OPEN-FRONT SEAT c/w LESS COVER (ZURN #Z5955SS-EL)
 FV1 = EXPOSED, ELECTRONIC OPERATED, URINAL FLUSH VALVE (ZURN #ZEM-S6003AV-IS-EWS)
 FV2 = EXPOSED, ELECTRONIC OPERATED, WATER CLOSET FLUSH VALVE (ZURN #ZEMS6000AV-WS1-IS)
 CC1 = CONCEALED WALL CARRIER FOR URINAL
 OSD = CHROME-PLATED OFFSET CAST DRAIN (ZURN #Z8702-PC)
 SS1 = CHROME-PLATED CLOSET SUPPLIES c/w SCREWDRIVER STOPS (DELTA #47T1318SD)
 SS2 = CHROME-PLATED LAV SUPPLIES c/w SCREWDRIVER STOPS (DELTA #47T2312SD)
 B.F. = BARRIER-FREE
- F1 = TWO HANDLE, DECKMOUNT FAUCET, 4" CENTERS, LEAD FREE & LOW FLOW AERATOR (ZURN #Z81104-3M)
 F2 = TWO HANDLE, DECKMOUNT FAUCET, 8" CENTERS, LEAD FREE & LOW FLOW AERATOR (ZURN #Z87104-3F)
 F3 = TWO HANDLE, WALLMOUNT SERVICE FAUCET, 8" CENTERS (ZURN #Z843M4)
 PT1 = 1/4" POLISHED CHROME-PLATED CAST BRASS P-TRAP (ZURN #Z8995-PC)
 PT2 = 1/2" POLISHED CHROME-PLATED CAST BRASS P-TRAP (ZURN #Z8996-PC)

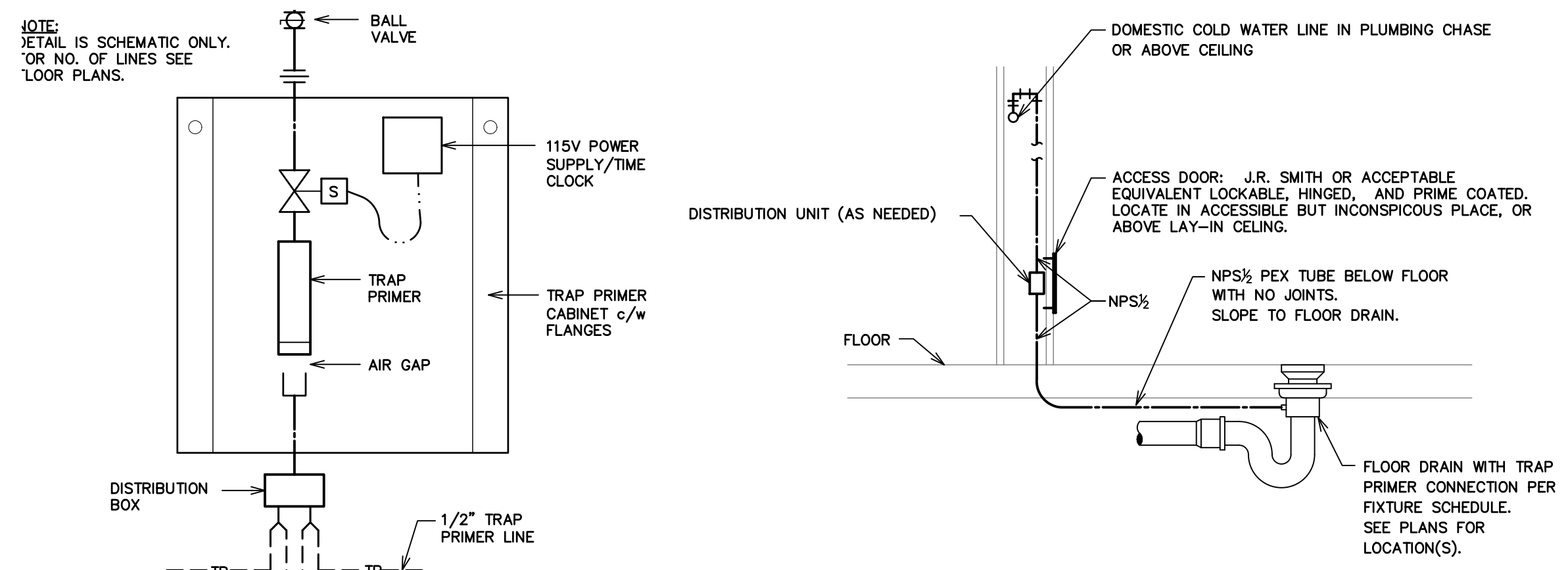
APPROVED ALTERNATES: AMERICAN STANDARD, KOHLER, CHICAGO FAUCETS, DELTA



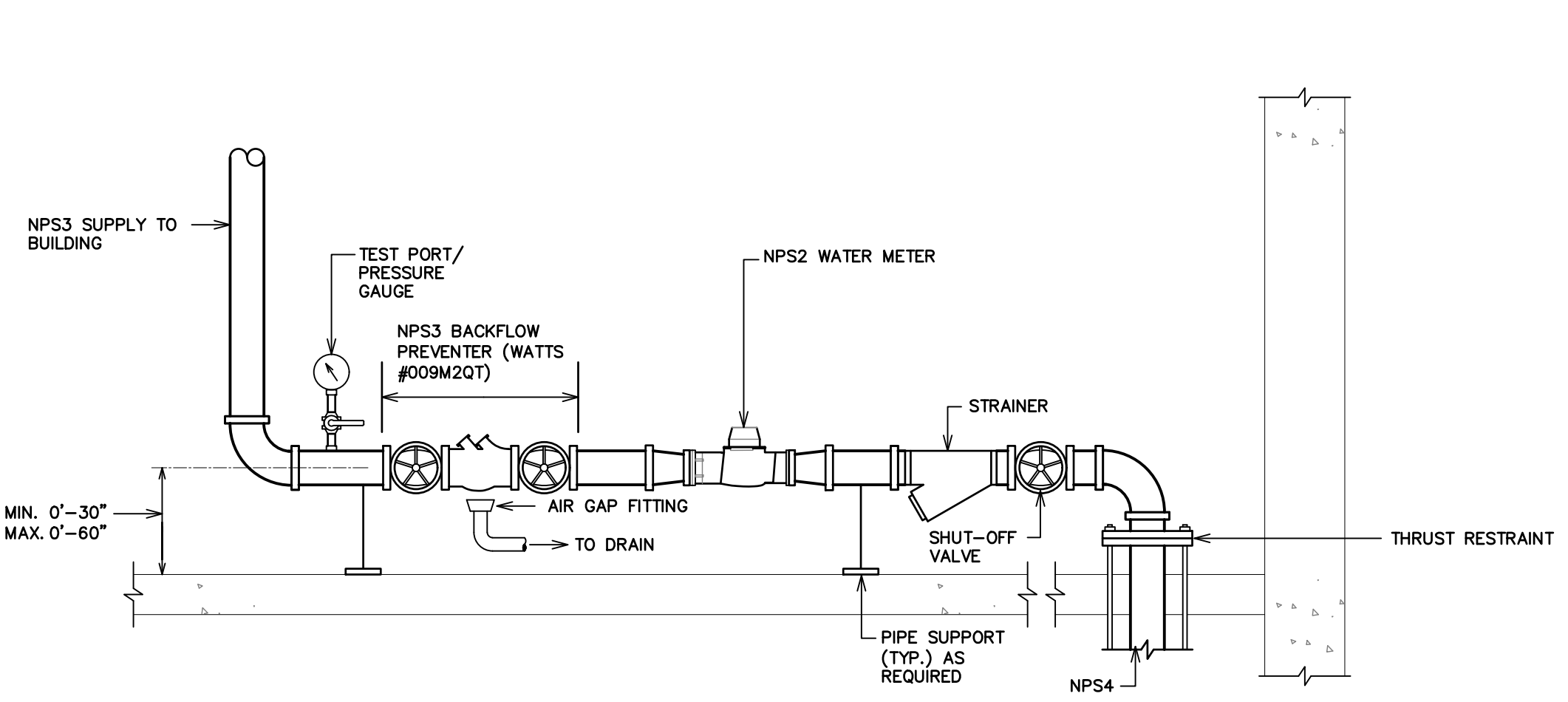
1 M103 PLUMBING FIXTURE SCHEDULE

2 M103 PIPE HANGER DETAIL DETAIL

3 M103 HOT WATER TANK DETAIL



4 M103 TRAP PRIMER PIPING DETAILS



5 M103 DOMESTIC WATER ENTRANCE DETAIL

powers brown architecture
 Architectural Consultant:
 Powers Brown Architecture
 354 Water St., Suite 212
 St. John's, NL A1C 1C4
 709.726.3941
 www.powersbrown.com

PROJECT TITLE
STEPHENVILLE GROW - REMODEL
 3 WESTERN DRIVE
 BARACHOIS BROOK, NL A0N 1B0
 A PROJECT FOR
CULTIVATION CATALYST CORP.

GENERAL NOTES

 77 VAUGHAN HARVEY BLVD, SUITE 200
 MONCTON, NB E1C 0K2
 BUS: (506) 857-8980 FAX: (506) 859-8393
 WWW.MCW.COM ENG. JOB NO. 11-18-026

| DATE | REVISION |
|------------|------------------|
| 06.13.2018 | Issue for Tender |
| | |
| | |
| | |
| | |
| | |
| | |
| | |
| | |
| | |

PROJECT NO: 183003
DRAWN BY: G.W.
CHECKED BY: M.G.
SHEET TITLE
SCHEDULES AND DETAILS - PLUMBING

SEAL **SHEET NUMBER**

M103

DATE PLOTTED 6/13/2018 6:05 PM

PROJECT TITLE
STEPHENVILLE GROW - REMODEL
3 WESTERN DRIVE
BARACHOIS BROOK, NL A0N 1B0

A PROJECT FOR
CULTIVATION CATALYST CORP.

GENERAL NOTES



| DATE | REVISION |
|------------|------------------|
| 06.13.2018 | Issue for Tender |
| | |
| | |
| | |
| | |
| | |
| | |
| | |
| | |

PROJECT NO: 183003
DRAWN BY: G.W.
CHECKED BY: M.G.
SHEET TITLE

MEZZANINE FLOOR PLAN - AIR DISTRIBUTION

SEAL **SHEET NUMBER**

M201

ROOM NAME LIST

| NO. | ROOM NAME |
|-----|----------------|
| 201 | TRIM 1 |
| 202 | DRY 1 |
| 203 | DRY 2 |
| 204 | PACKAGING |
| 205 | QA / QC |
| 206 | SECURE STORAGE |

M201 ROOM LIST

NOTE:
FRESH AIR DUCT (ABOVE) AND EXHAUST AIR DUCT (BELOW) SHALL BE FULLY INSULATED BETWEEN EXTERIOR LOUVER TO ERV UNIT.

26"x24" LOUVER TO BE PRICE DE635 C/W BIRD SCREEN. SLOPE PLENUM TO DRAIN AT LOUVER. PLENUM JOINTS/SEAMS TO BE SEALED USING WATER PROOF DUCT SEALANT

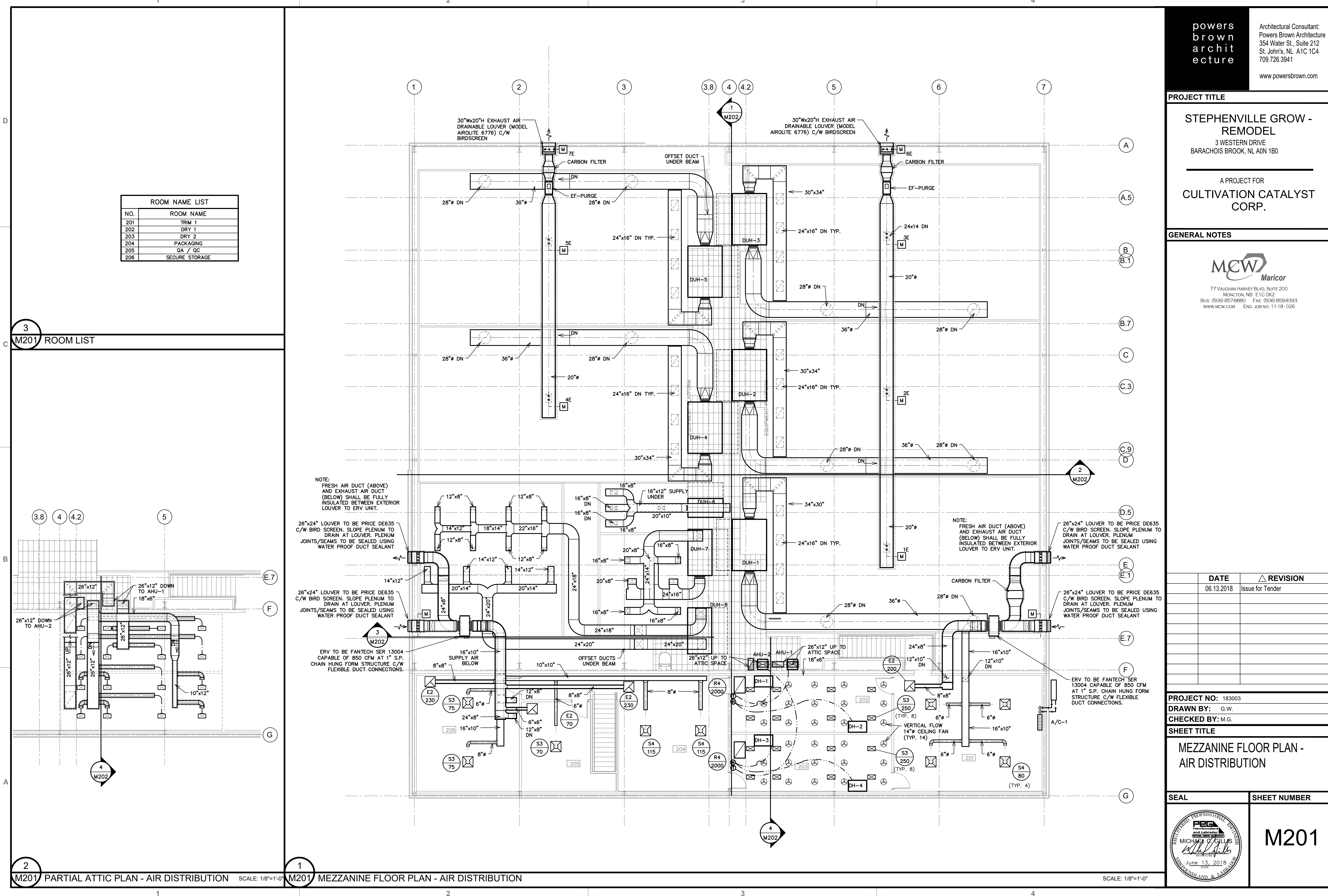
26"x24" LOUVER TO BE PRICE DE635 C/W BIRD SCREEN. SLOPE PLENUM TO DRAIN AT LOUVER. PLENUM JOINTS/SEAMS TO BE SEALED USING WATER PROOF DUCT SEALANT

ERV TO BE FANTECH SER 13004 CAPABLE OF 850 CFM AT 1" S.P. CHAIN HUNG FORM STRUCTURE C/W FLEXIBLE DUCT CONNECTIONS.

NOTE:
FRESH AIR DUCT (ABOVE) AND EXHAUST AIR DUCT (BELOW) SHALL BE FULLY INSULATED BETWEEN EXTERIOR LOUVER TO ERV UNIT.

26"x24" LOUVER TO BE PRICE DE635 C/W BIRD SCREEN. SLOPE PLENUM TO DRAIN AT LOUVER. PLENUM JOINTS/SEAMS TO BE SEALED USING WATER PROOF DUCT SEALANT

ERV TO BE FANTECH SER 13004 CAPABLE OF 850 CFM AT 1" S.P. CHAIN HUNG FORM STRUCTURE C/W FLEXIBLE DUCT CONNECTIONS.



DATE PLOTTED 6/13/2018 6:05 PM

M201 PARTIAL ATTIC PLAN - AIR DISTRIBUTION SCALE: 1/8"=1'-0"

M201 MEZZANINE FLOOR PLAN - AIR DISTRIBUTION SCALE: 1/8"=1'-0"

SCALE: 1/8"=1'-0"

PROJECT TITLE

**STEPHENVILLE GROW -
REMODEL**
3 WESTERN DRIVE
BARACHOIS BROOK, NL A0N 1B0

A PROJECT FOR
**CULTIVATION CATALYST
CORP.**

GENERAL NOTES



77 VAUGHAN HARVEY BLVD. SUITE 200
MONCTON, NB E1C 0K2
BUS: (506) 857-8880 FAX: (506) 859-8393
WWW.MCW.COM ENG. JOB NO. 11-18-026

| DATE | REVISION |
|------------|------------------|
| 06.13.2018 | Issue for Tender |
| | |
| | |
| | |
| | |
| | |
| | |
| | |
| | |
| | |

PROJECT NO: 183003

DRAWN BY: G.W.

CHECKED BY: M.G.

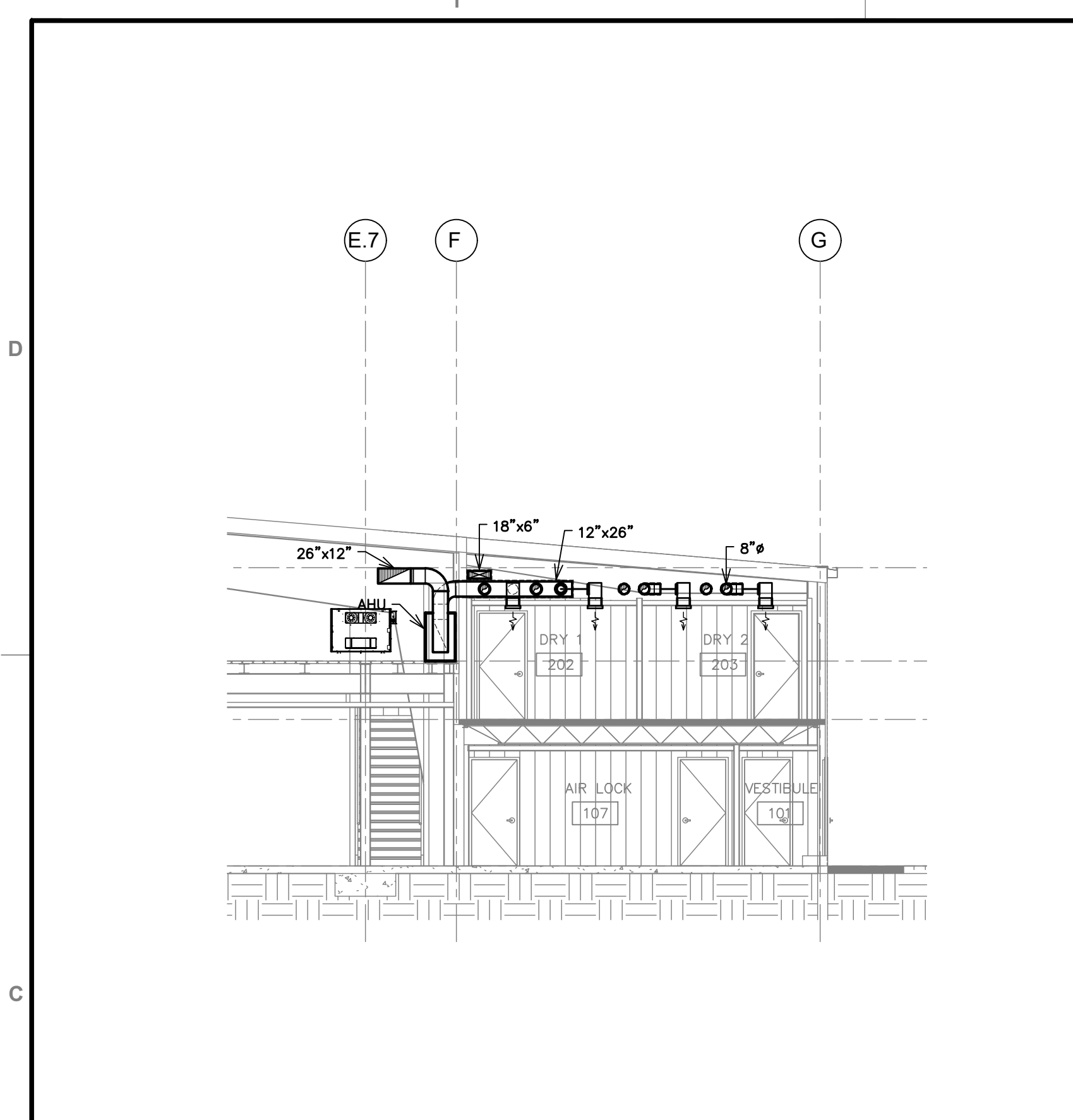
SHEET TITLE

AIR DISTRIBUTION SECTIONS

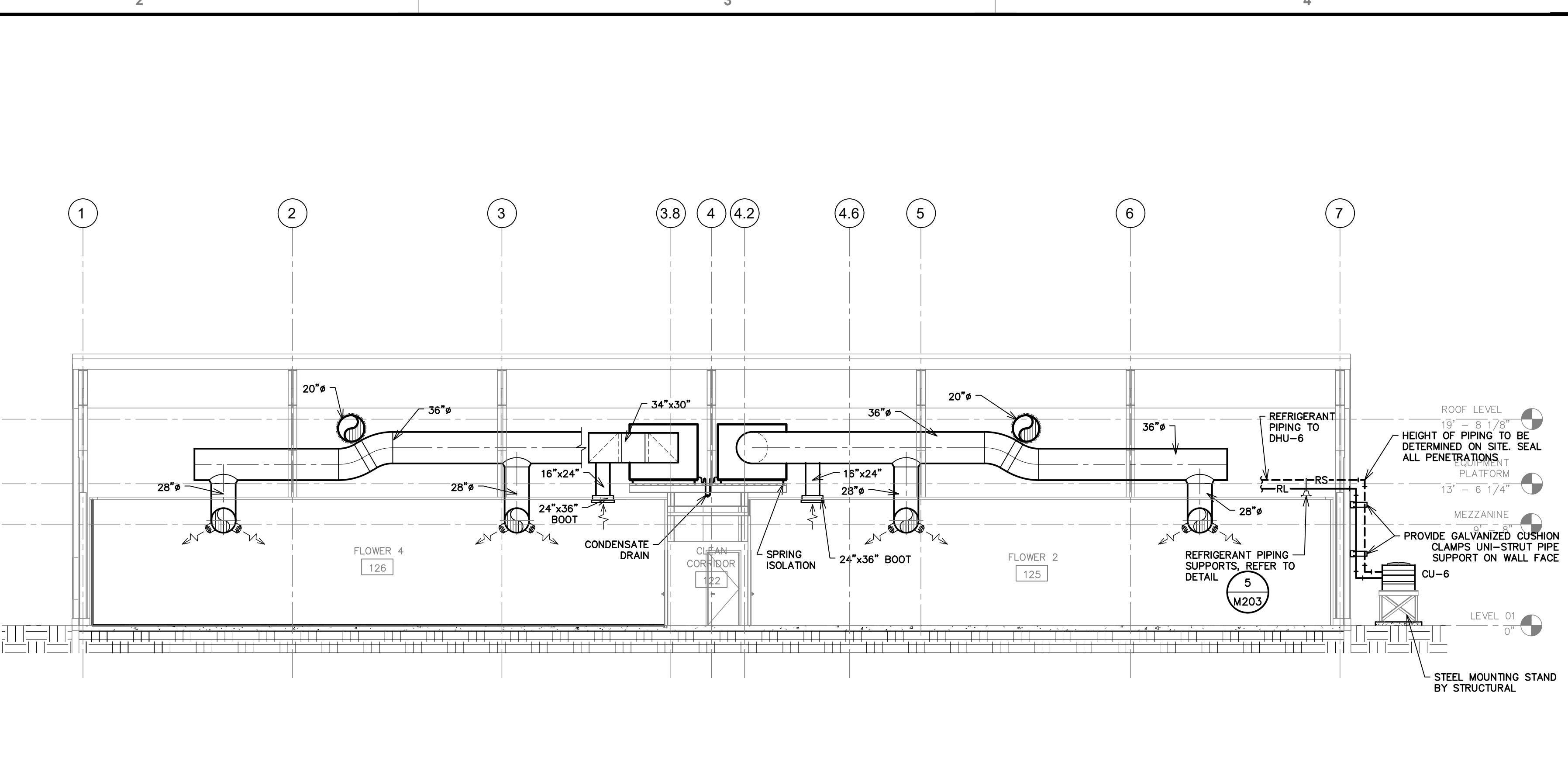
SEAL **SHEET NUMBER**



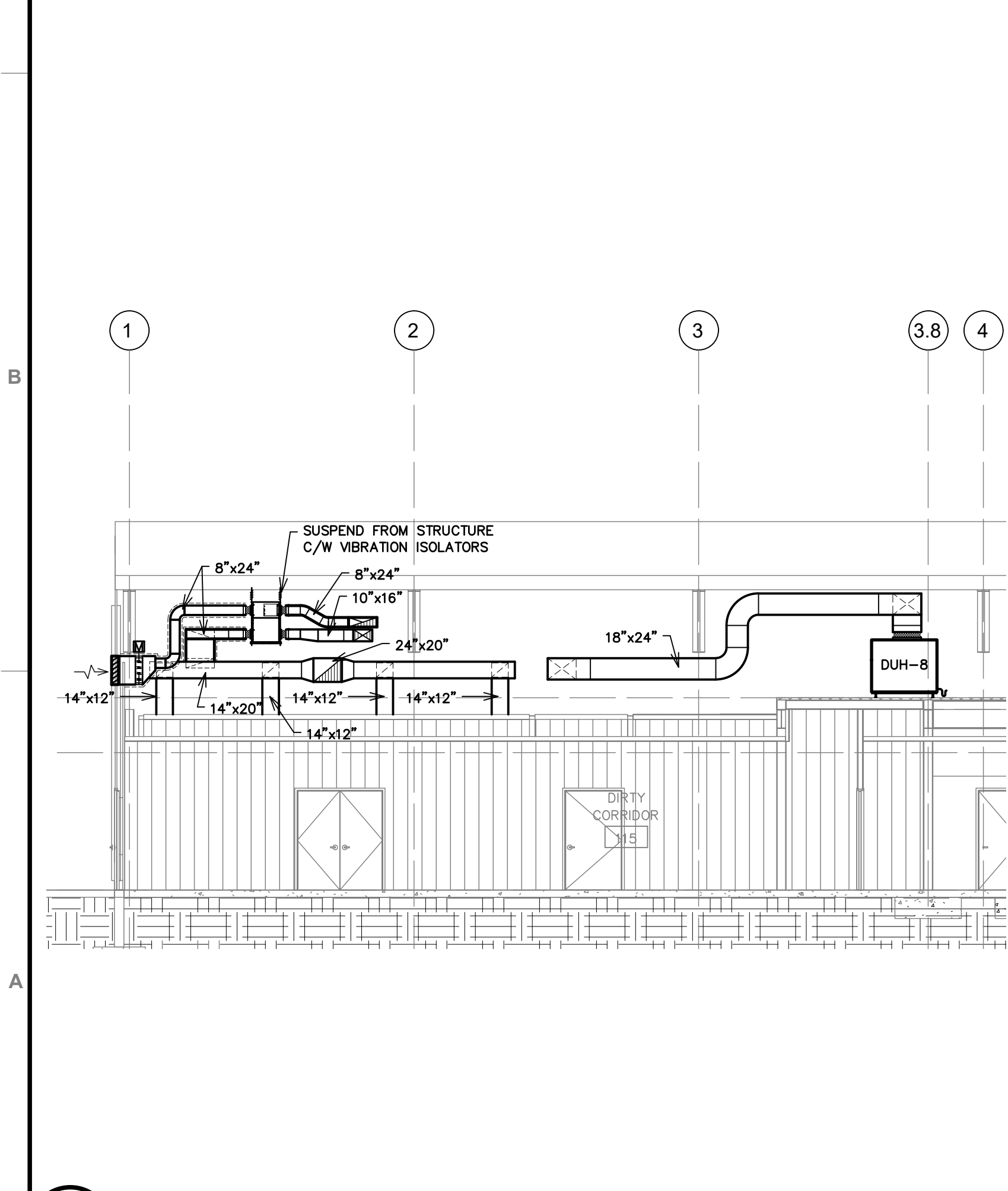
M202



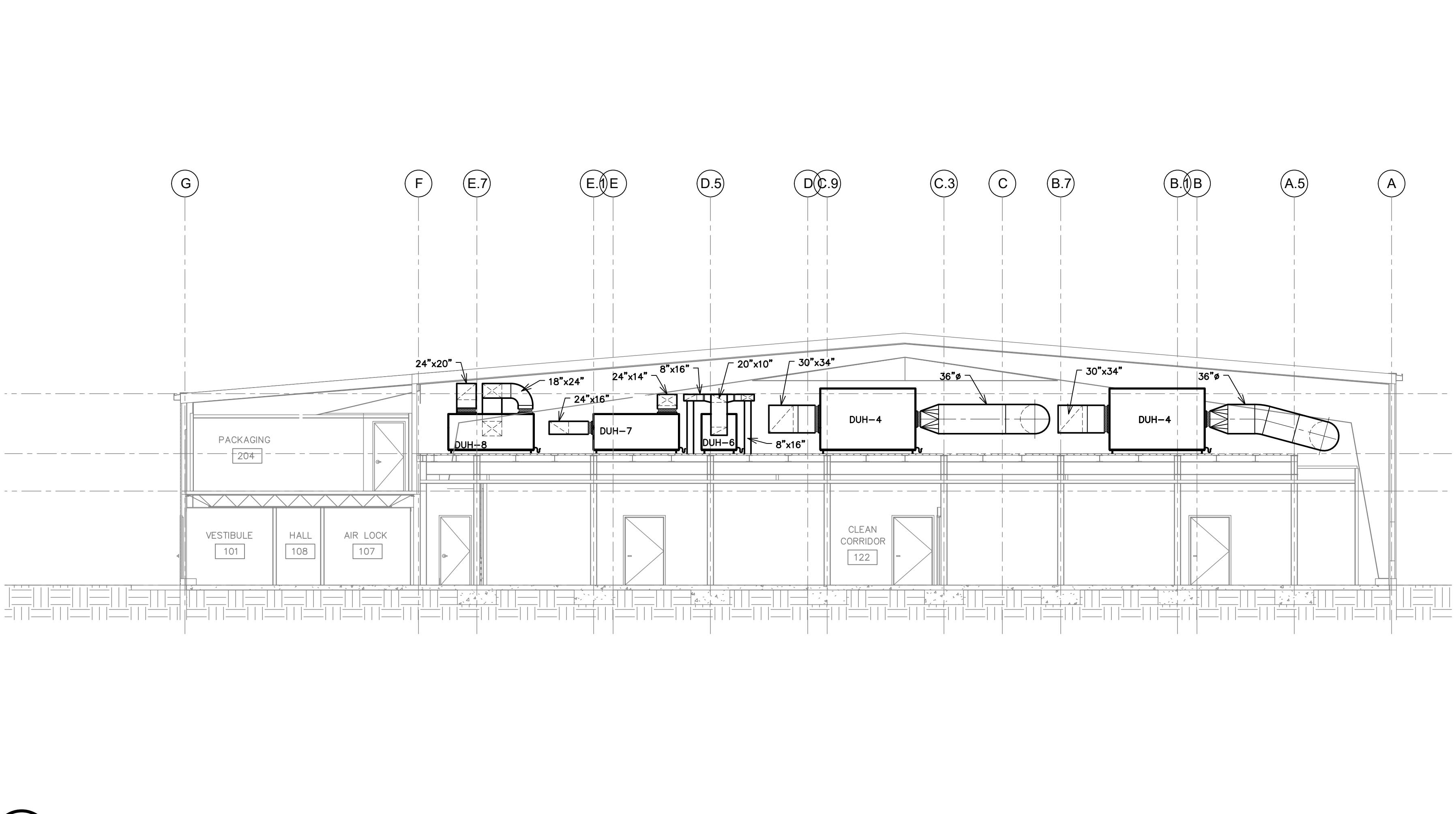
4 SECTION SCALE 1/8"=1'-0"



2 SECTION SCALE 1/8"=1'-0"

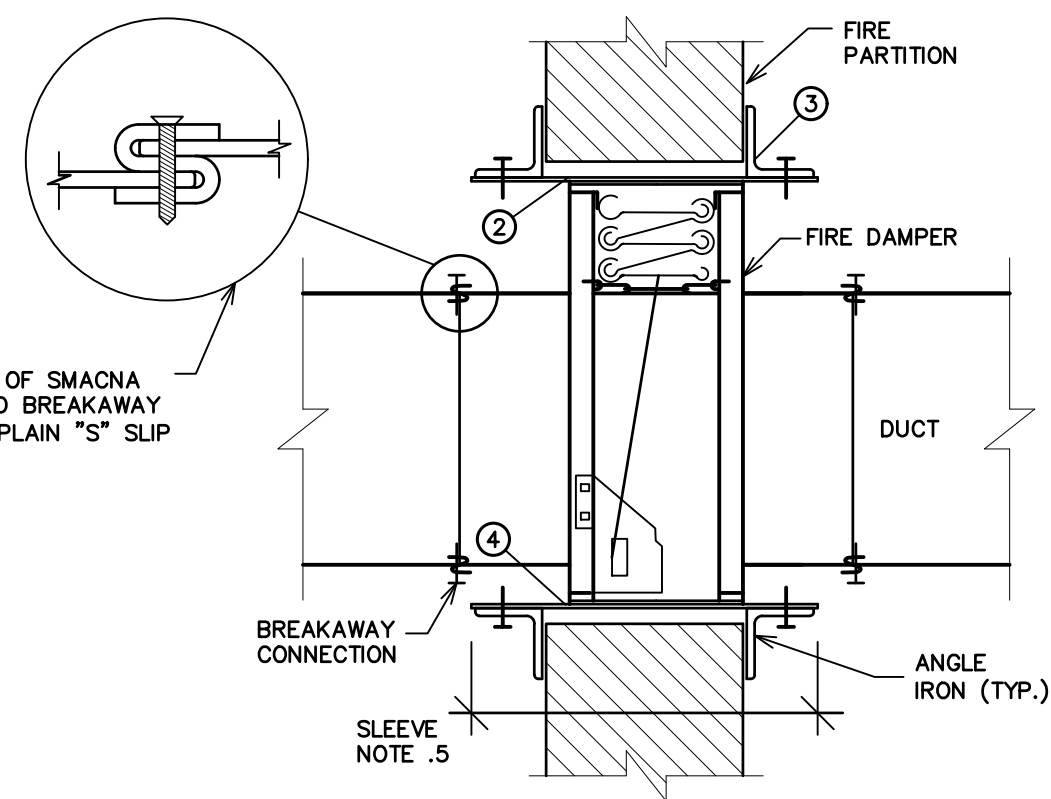
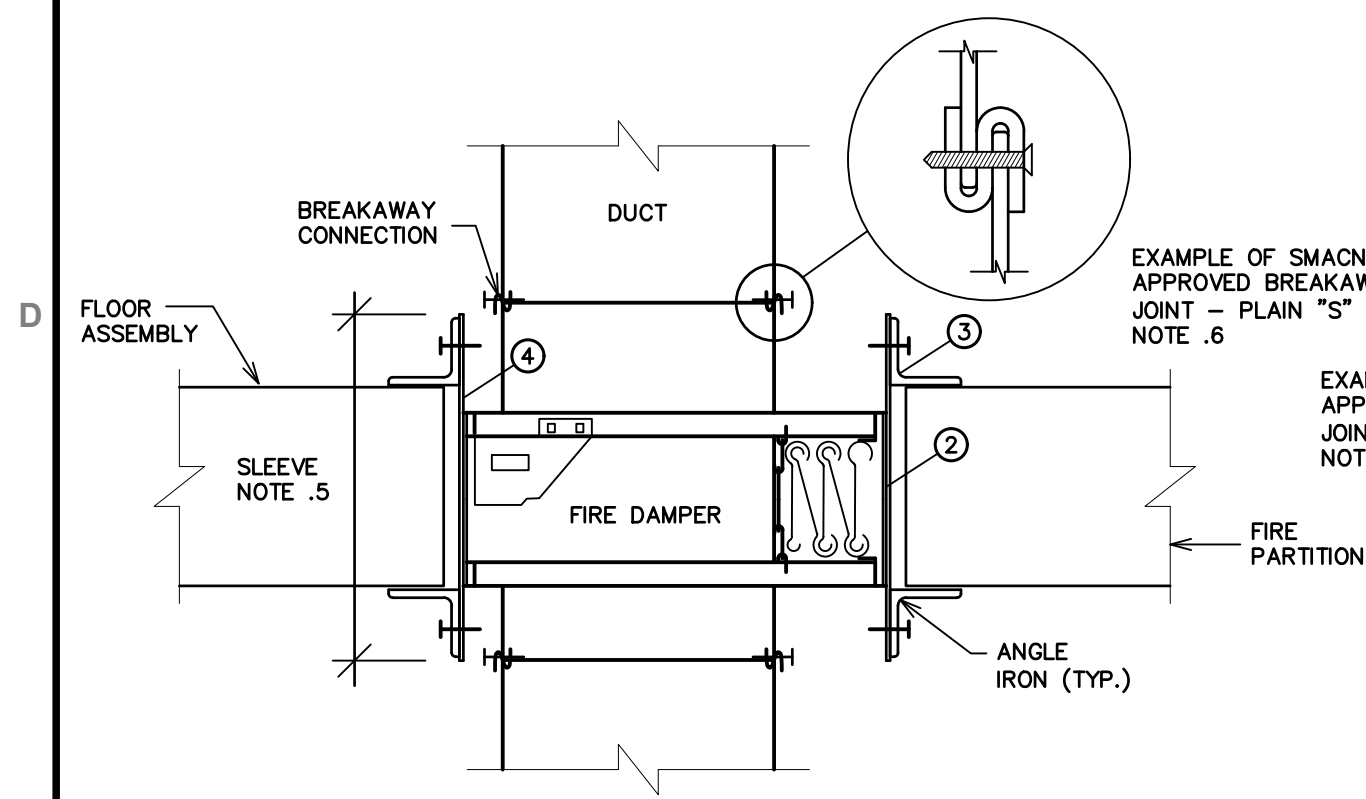


3 SECTION SCALE 1/8"=1'-0"

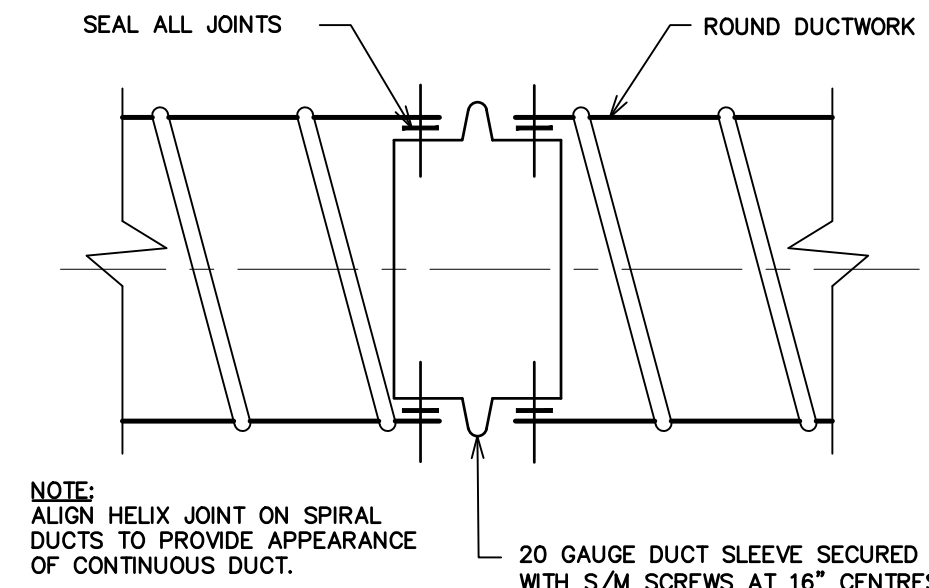


1 SECTION SCALE 1/8"=1'-0"

DATE PLOTTED 6/13/2018 6:05 PM



- NOTES:
- 1- FIRE DAMPER INSTALLATION SHALL BE AS PER MANUFACTURERS INSTRUCTION
 - 2- CLEARANCE BETWEEN FIRE DAMPER SLEEVE AND PENETRATION MUST BE 3mm (1/8") PER FOOT OF DAMPER/SLEEVE WIDTH AND HEIGHT. MINIMUM TOTAL CLEARANCE SHALL BE AT LEAST 6mm (1/4") LARGER THAN THE OVERALL DAMPER ASSEMBLY.
 - 3- SLEEVE SHALL NOT BE FASTENED TO PENETRATED WALL/FLOOR.
 - 4- DAMPER SHALL BE ATTACHED TO SLEEVE BY ONE OF THE FOLLOWING METHODS: 6mm (1/4") DIA BOLTS & NUTS, WELDING WITH BEADS 12mm (1/2") IN LENGTH OR NO. 10 STEEL SHEET METAL SCREWS. FASTENERS SHALL BE 150mm (6") MAX. ON CENTERS.
 - 5- SLEEVE SHALL BE SAME GAUGE OR HEAVIER AS THE DUCT TO WHICH IT IS ATTACHED. GAUGES SHALL CONFORM TO SMACNA OR ASHRAE DUCT STANDARDS.
 - 6- BREAKAWAY CONNECTION IN ACCORDANCE WITH APPROVED SMACNA TESTING SHALL BE USED. BREAKAWAY CONNECTION SHALL HAVE NO MORE THAN TWO (2) NO. 10 STEEL SHEET METAL SCREWS ON EACH SIDE AND ON TOP AND BOTTOM LOCATED IN THE CENTER OF THE SLIP POCKET AND SHALL PENETRATE BOTH SIDES OF THE SLIP POCKET.

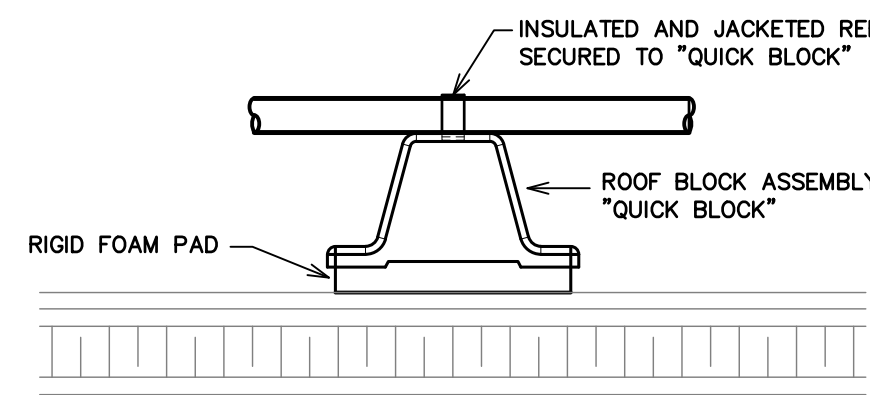
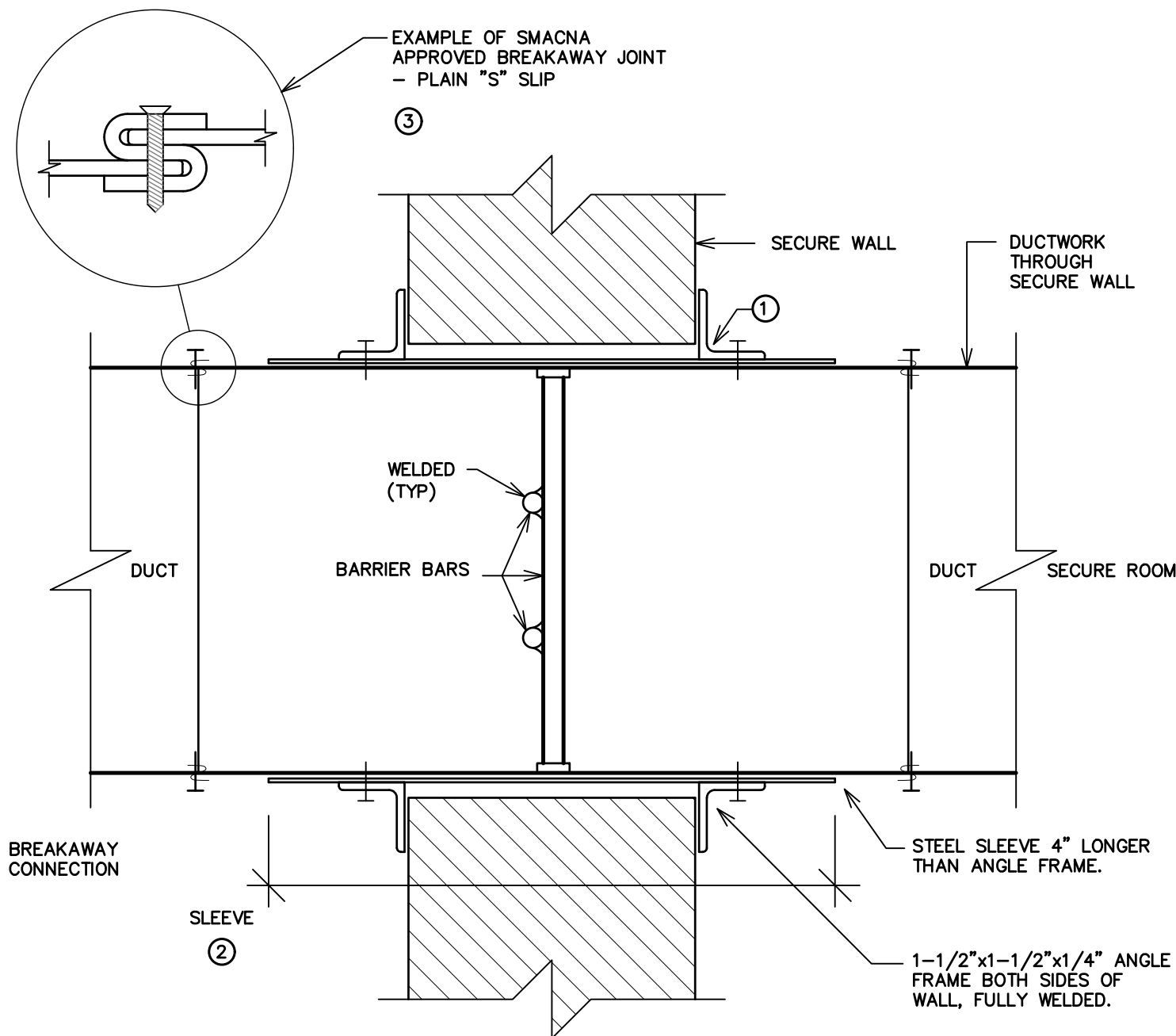


NOTE:
ALIGN HELIX JOINT ON SPIRAL DUCTS TO PROVIDE APPEARANCE OF CONTINUOUS DUCT.
20 GAUGE DUCT SLEEVE SECURED WITH S/M SCREWS AT 16" CENTRES -3 MINIMUM

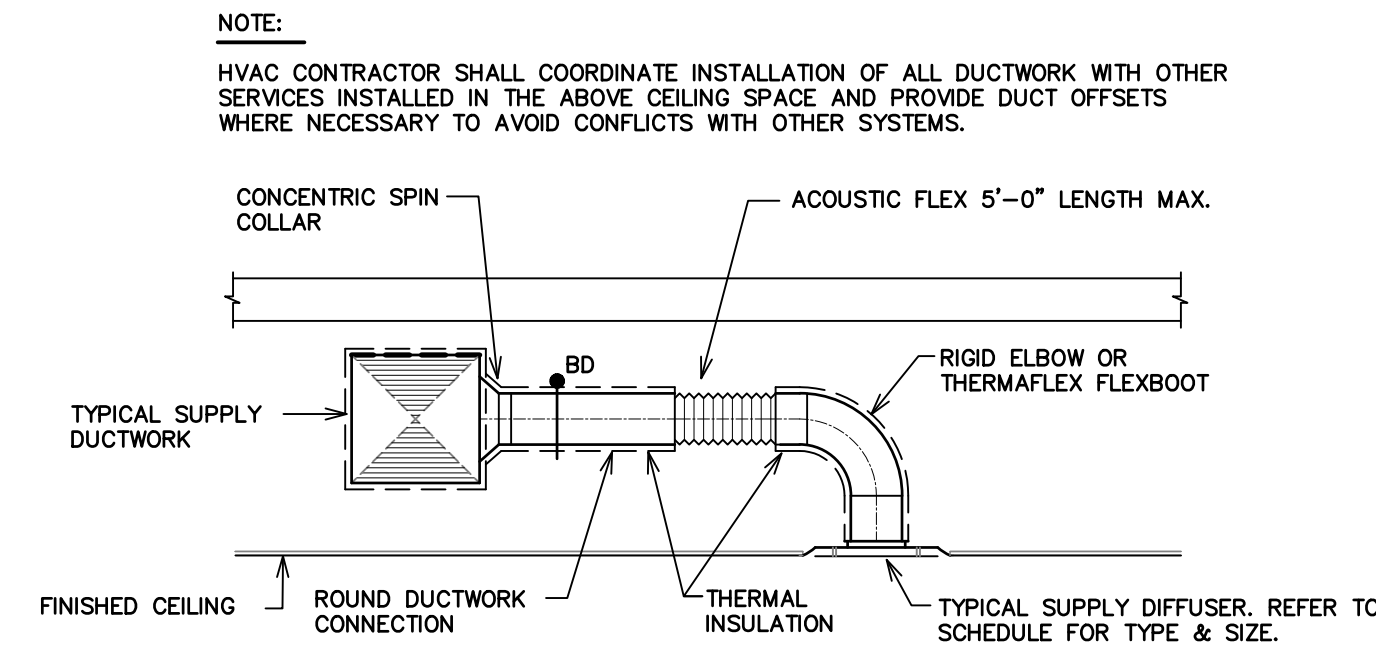
6 M203 FIRE DAMPER INSTALLATION DETAIL

3 M203 TYPICAL SPIRAL DUCT CONNECTION DETAIL

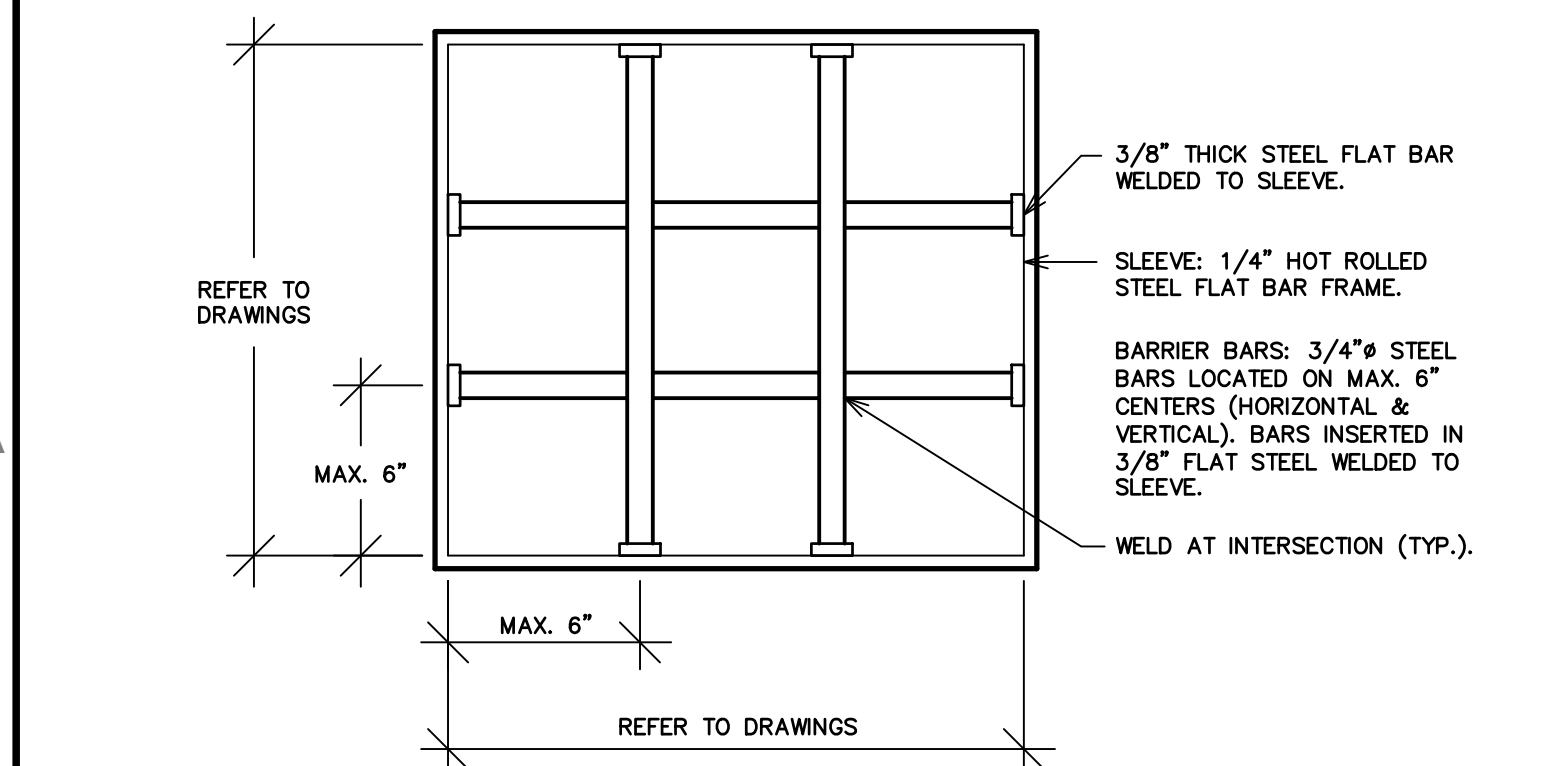
- NOTES:
- 1- SLEEVE SHALL NOT BE FASTENED TO PENETRATED WALL/FLOOR/ROOF.
 - 2- SLEEVE SHALL BE SAME GAUGE OR HEAVIER AS THE DUCT TO WHICH IT IS ATTACHED. GAUGES SHALL CONFORM TO SMACNA OR ASHRAE DUCT STANDARDS.
 - 3- BREAKAWAY CONNECTION IN ACCORDANCE WITH APPROVED SMACNA TESTING SHALL BE USED. BREAKAWAY CONNECTION SHALL HAVE NO MORE THAN TWO (2) NO. 10 STEEL SHEET METAL SCREWS ON EACH SIDE AND ON TOP AND BOTTOM LOCATED IN THE CENTER OF THE SLIP POCKET AND SHALL PENETRATE BOTH SIDES OF THE SLIP POCKET.



NOTE:
ACCEPTABLE PRE-FABRICATED MANUFACTURER'S TO MEET SPECIFIED STANDARDS OF ACCEPTANCE.



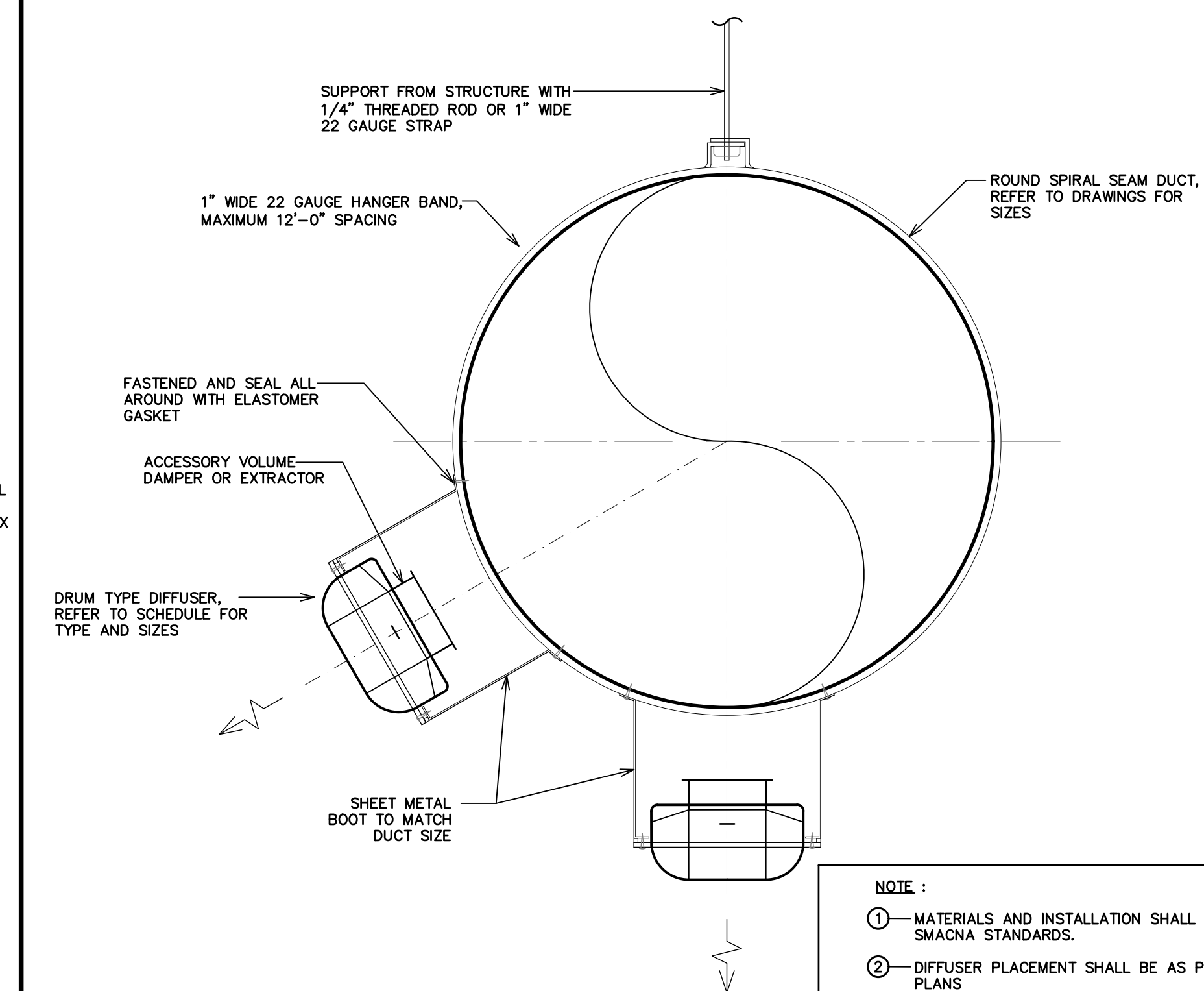
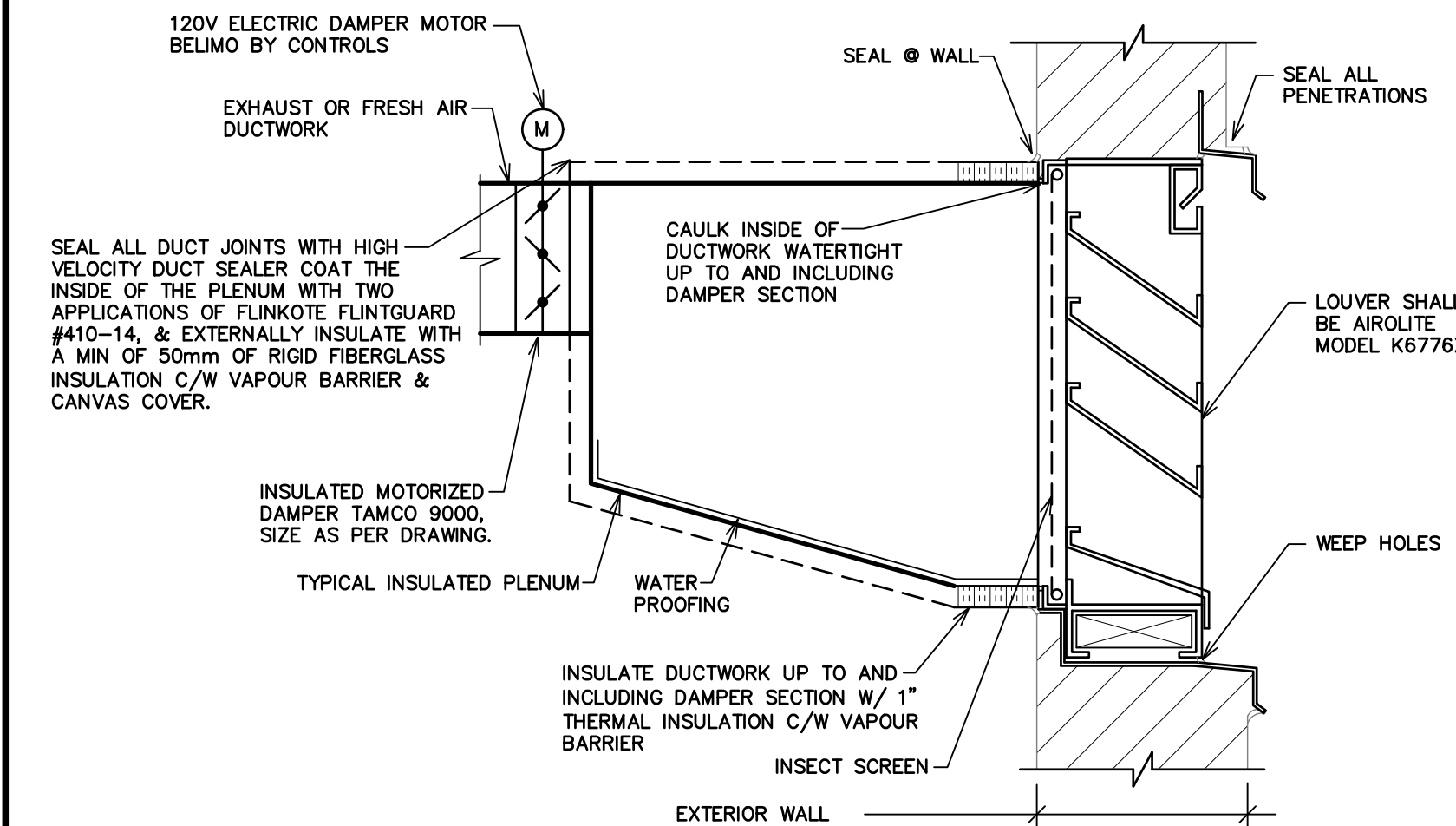
NOTE:
HVAC CONTRACTOR SHALL COORDINATE INSTALLATION OF ALL DUCTWORK WITH OTHER SERVICES INSTALLED IN THE ABOVE CEILING SPACE AND PROVIDE DUCT OFFSETS WHERE NECESSARY TO AVOID CONFLICTS WITH OTHER SYSTEMS.



5 M203 REFRIGERANT PIPING SUPPORT DETAIL

2 M203 TYPICAL DIFFUSER INSTALLATION DETAIL

- NOTES:
- 1- SLOPE DUCTWORK TOWARDS LOUVER TO ALLOW FOR PROPER DRAINAGE.
 - 2- PROVIDE PRESSURE TREATED CAP OVER WALL INSULATION.
 - 3- PROVIDE DUCT SLEEVE AS REQUIRED TO CONNECT DAMPER ASSEMBLY TO LOUVER.
 - 4- ALL FRESH AIR DUCTWORK TO BE INSULATED.



NOTE:
1- MATERIALS AND INSTALLATION SHALL BE PER SMACNA STANDARDS.
2- DIFFUSER PLACEMENT SHALL BE AS PER PLANS

6 M203 SECURITY GRILLE INSTALLATION DETAIL

4 M203 TYPICAL LOUVER INSTALLATION DETAIL

1 M203 ROUND DUCTWORK DIFFUSER DETAIL

PROJECT TITLE
STEPHENVILLE GROW - REMODEL
3 WESTERN DRIVE
BARACHOIS BROOK, NL A0N 1B0

A PROJECT FOR
CULTIVATION CATALYST CORP.

GENERAL NOTES
M&W Maricor
77 VAUGHAN HARVEY BLVD, SUITE 200
MONCTON, NB E1C 0K2
BUS: (506) 857-8880 FAX: (506) 859-8393
WWW.MCW.COM ENG. JOB NO. 11-18-026

| DATE | REVISION |
|------------|------------------|
| 06.13.2018 | Issue for Tender |
| | |
| | |
| | |
| | |
| | |
| | |
| | |
| | |

PROJECT NO: 183003
DRAWN BY: G.W.
CHECKED BY: M.G.

SHEET TITLE
AIR DISTRIBUTION DETAILS

SEAL SHEET NUMBER
M203



DEHUMIDIFICATION UNIT SCHEDULE

| TAG | MANUFACTURER & MODEL | COOLING COIL | | | | THR (MBH) | REHEAT COIL | | FILTERS | | FAN | | | ELECTRICAL V/PH | MCA | MOP | REMARKS | DIMENSIONAL DATA (MAX.) | | | | | |
|-------|----------------------|-------------------|-------------|----------------|---------------|-----------|----------------|-----------------|----------|-----------------|---------|---------|------|-----------------|-----|----------|---------|-------------------------|----|-------------|------------|------------|-----------|
| | | EAT DB (°F) | EAT WB (°F) | DEW POINT (°F) | DEHUM (Lb/hr) | | TOT. CAP (MBH) | SENS. CAP (MBH) | LAT (°F) | SENS. CAP (MBH) | PRE | FINAL | CFM | | | | | ESP(IN.) | HP | LENGTH | WIDTH | HEIGHT | WEIGHT |
| DUH-1 | DESERT AIRE QS36A | 78.0 | 66.4 | 49 | 150 | 430 | 271 | 545 | - | - | MERV 13 | MERV 13 | 8800 | 1.5 | 20 | 575/3/60 | 74 | 90 | ① | 117.375 IN. | 72.5 IN. | 75.375 IN. | 4545 LBS. |
| DUH-2 | DESERT AIRE QS36A | 78.0 | 66.4 | 49 | 150 | 430 | 271 | 545 | - | - | MERV 13 | MERV 13 | 8800 | 1.5 | 20 | 575/3/60 | 74 | 90 | ① | 117.375 IN. | 72.5 IN. | 75.375 IN. | 4545 LBS. |
| DUH-3 | DESERT AIRE QS36A | 78.0 | 66.4 | 49 | 150 | 430 | 271 | 545 | - | - | MERV 13 | MERV 13 | 8800 | 1.5 | 20 | 575/3/60 | 74 | 90 | ① | 117.375 IN. | 72.5 IN. | 75.375 IN. | 4545 LBS. |
| DUH-4 | DESERT AIRE QS36A | 78.0 | 66.4 | 49 | 150 | 430 | 271 | 545 | - | - | MERV 13 | MERV 13 | 8800 | 1.5 | 20 | 575/3/60 | 74 | 90 | ① | 117.375 IN. | 72.5 IN. | 75.375 IN. | 4545 LBS. |
| DUH-5 | DESERT AIRE QS36A | 78.0 | 66.4 | 49 | 150 | 430 | 271 | 545 | - | - | MERV 13 | MERV 13 | 8800 | 1.5 | 20 | 575/3/60 | 74 | 90 | ① | 117.375 IN. | 72.5 IN. | 75.375 IN. | 4545 LBS. |
| DUH-6 | DESERT AIRE QS05A | 78.0 | 66.4 | 42.5 | 24 | 63 | 38 | 82 | - | - | MERV 13 | MERV 13 | 1000 | 1.3 | 1.5 | 575/3/60 | 12 | 15 | ① | 80.375 IN. | 37.125 IN. | 43.875 IN. | 1293 LBS. |
| DUH-7 | DESERT AIRE QS08A | 78.0 | 66.4 | 49.2 | 37 | 106 | 67 | 135 | - | - | MERV 13 | MERV 13 | 2200 | 1.3 | 5 | 575/3/60 | 17 | 20 | ① | 105.375 IN. | 49.125 IN. | 48.625 IN. | 1954 LBS. |
| DUH-8 | DESERT AIRE QS15A | 78.0 | 66.4 | 46 | 66 | 178 | 109 | 229 | - | - | MERV 13 | MERV 13 | 3200 | 1.5 | 5 | 575/3/60 | 33 | 40 | ① | 105.375 IN. | 49.125 IN. | 48.625 IN. | 2491 LBS. |
| DH-1 | QUEST DUAL 225 | 54' MIN. 95' MAX. | | 225 PINTS/DAY | - | - | - | - | - | - | MERV 11 | - | 526 | 0.0 | 2 | 208/1/60 | 6.9 | | | 37.88 IN. | 20.25 IN. | 21.75 IN. | 160 LBS. |
| DH-2 | QUEST DUAL 225 | 54' MIN. 95' MAX. | | 225 PINTS/DAY | - | - | - | - | - | - | MERV 11 | - | 526 | 0.0 | 2 | 208/1/60 | 6.9 | | | 37.88 IN. | 20.25 IN. | 21.75 IN. | 160 LBS. |
| DH-3 | QUEST DUAL 225 | 54' MIN. 95' MAX. | | 225 PINTS/DAY | - | - | - | - | - | - | MERV 11 | - | 526 | 0.0 | 2 | 208/1/60 | 6.9 | | | 37.88 IN. | 20.25 IN. | 21.75 IN. | 160 LBS. |
| DH-4 | QUEST DUAL 225 | 54' MIN. 95' MAX. | | 225 PINTS/DAY | - | - | - | - | - | - | MERV 11 | - | 526 | 0.0 | 2 | 208/1/60 | 6.9 | | | 37.88 IN. | 20.25 IN. | 21.75 IN. | 160 LBS. |

REMARKS: R410A REFRIGERANT, SCROLL COMPRESSOR (S), HOT GAS REHEAT CONDENSER COIL, HOT GAS BYPASS, RECEIVER W/FLOODING HOLDBACK VALVE. AHR1920 RATINGS. VFD FAN DRIVE. 20 GA S.S. CONDENSATE PAN.

1. CONTROL MODULE CM3500 C/W OAT SENSOR, ZONE RESET SAT, DUCT SAT SENSOR, SPACE TEMPERATURE SENSOR, SPACE HUMIDITY SENSOR, UNIT MOUNTED CONTROLLER WITH DISPLAY TERMINAL, REMOTE DISPLAY TERMINAL, BACNET COMPATIBLE, OCCUPANCY OVERRIDE TIMER.

1 M204 DEHUMIDIFICATION UNIT SCHEDULE

MINI-SPLIT SYSTEM SCHEDULE

| MARK | DESCRIPTION | MANUFACTURER | CATALOG NUMBER | | CAPACITY MBH (EACH) | CFM | SEER | INDOOR ELECTRIC | | | OUTDOOR ELECTRIC | | | ACCESSORIES | REMARKS |
|-------|--|--------------|----------------|--------------|---------------------|-----|------|-----------------|-----|-----|------------------|-----|-----|----------------|---------|
| | | | INDOOR UNITS | OUTDOOR UNIT | | | | V/PH | MCA | MOC | V/PH | MCA | MOC | | |
| A/C-1 | 1 TON, TRIM ROOM - 201 MINI-SPLIT COOLING | DAIKIN | PKA-A12 | PUZ-A12 | 12 | 425 | 15.2 | 208/1 | 1 | 15 | 208/1 | 13 | 15 | FS,RT,SP,TS | 1, 2, 3 |
| A/C-2 | 1 TON, SECURITY / IT ROOM - 109 MINI-SPLIT COOLING | DAIKIN | PKA-A12 | PUZ-A12 | 12 | 425 | 15.2 | 208/1 | 1 | 15 | 208/1 | 13 | 15 | FS,LA,RT,SP,TS | 1, 2, 3 |

ACCESSORIES: DS - DISCONNECT SWITCH, FS - FREEZE STAT, ULA - ULTRA LOW AMBIENT CONTROL (-40F AMBIENT), RT - REFRIGERANT TUBING AND INSULATION, SP - SINGLE POINT POWER CONNECTION TO CONDENSING UNIT, TS - PROGRAMMABLE WIRE THERMOSTAT, LA - LOW AMBIENT CONTROL (-20F AMBIENT)

REMARKS: 1. CAPACITY BASED ON 95F AMBIENT TEMPERATURE, 80F ENTERING DRY BULB AND 67F ENTERING WET BULB. 2. INDOOR UNIT IS POWERED FROM OUTDOOR UNIT. 3. COOLING ONLY.

2 M204 MINI-SPLIT SYSTEM SCHEDULE

DHU CONDENSER UNIT SCHEDULE

| TAG | MANUFACTURER & MODEL | COOLING LOAD @ 90°F (MBH) | REFRIGERANT | AIRFLOW (cfm) | ELECTRICAL | | | DIMENSIONS (H x W x D) | WEIGHT (LBS) | NOTES |
|------|----------------------|---------------------------|-------------|---------------|------------|-----|-----|------------------------|--------------|-------|
| | | | | | VOLTAGE/PH | MCA | MOP | | | |
| CU-1 | RC8S018C5H22928 | | R-410A | 22,067 | 575/3 | 9 | 12 | 54.62"x52"x139.1" | 869 | |
| CU-2 | RC8S018C5H22928 | | R-410A | 22,067 | 575/3 | 9 | 12 | 54.62"x52"x139.1" | 869 | |
| CU-3 | RC8S018C5H22928 | | R-410A | 22,067 | 575/3 | 9 | 12 | 54.62"x52"x139.1" | 869 | |
| CU-4 | RC8S018C5H22928 | | R-410A | 22,067 | 575/3 | 9 | 12 | 54.62"x52"x139.1" | 869 | |
| CU-5 | RC8S018C5H22928 | | R-410A | 22,067 | 575/3 | 9 | 12 | 54.62"x52"x139.1" | 869 | |
| CU-6 | RC5S024C5H40900 | | R-410A | 5773 | 575/3 | 3 | 5 | 32.48"x39.5"x50.4" | 236 | |
| CU-7 | RC5S039C5H41500 | | R-410A | 5352 | 575/3 | 3 | 5 | 32.48"x39.5"x50.4" | 253 | |
| CU-8 | RC5S063C5H22300 | | R-410A | 9670 | 575/3 | 5 | 6 | 32.48"x29.3"x86.4" | 329 | |

3 M204 DHU CONDENSER UNIT SCHEDULE

FAN SCHEDULE

| TAG | MANUFACTURER & MODEL | CAPACITY (CFM) | ESP (INCHES) | MOTOR (RPM) | ELECTRICS | | | REMARKS |
|----------|---|----------------|--------------|-------------|-----------|----|------|---------|
| | | | | | V | PH | HP | |
| EF-ELEC | GREENHECK MODEL CWB-200 | 2835 | 0.5 | 737 | 575 | 3 | 0.5 | 2,3,4,6 |
| EF-PURGE | GREENHECK MODEL QE1-1-1-15 | 2000 | 2.5 | 1725 | 575 | 3 | 1.5 | 1,2,3,4 |
| DRY-ROOM | 14" VALUTEK CORROSION-RESISTANT FAN CEILING MOUNT | 2473 | | | 120 | 1 | 1/16 | |

REMARKS: 1. C/W VIBRATION ISOLATORS AND HANGING KIT. 2. C/W SPARE SET OF BELTS (x2) 3. MOTOR SHALL BE VFD RATED. 4. C/W DISCONNECT SWITCH. 5. C/W 24" ROOF CURB. 6. C/W MOTORIZED DAMPER. 7. C/W BYPASS DAMPER. 8. C/W HOOD 9. C/W BIRD SCREEN

4 M204 FAN SCHEDULE

DIFFUSER/GRILLE SCHEDULE

| SYMBOL | MODEL & TYPE | FACE SIZE | NECK SIZE | AIR FLOW RANGE | FINISH | REMARKS |
|--------|---|------------------|-----------|-------------------|-----------|--|
| S1 | PRICE AHCD1 10/30/B12 | 12 5/16"x32 5/8" | 10"x30" | 0 cfm - 733 cfm | B12 WHITE | C/W SPIRAL DUCT FRAME / BORDER TO SUIT MOUNTING TYPE |
| S2 | PRICE 14x10/610DAL/F/L/A/B12 | 11 3/4"x15 3/4" | 10"x14" | 0 cfm - 400 cfm | B12 WHITE | SURFACE MOUNT / BORDER TO SUIT MOUNTING TYPE |
| S3 | PRICE 18x10/610DAL/F/L/A/B12 | 11 3/4"x19 3/4" | 10"x18" | 401 cfm - 550 cfm | B12 WHITE | C/W PLENUM / BORDER TO SUIT MOUNTING TYPE |
| S3 | PRICE 24x24/ASPD/31/B12 | 24"x24" | 6"ø | 0 cfm - 100 cfm | B12 WHITE | SURFACE MOUNT C/W VCR-8E INTEGRAL DAMPER |
| S4 | PRICE 24x24/ASPD/31/B12 | 24"x24" | 8"ø | 101 cfm - 250 cfm | B12 WHITE | SURFACE MOUNT C/W VCR-8E INTEGRAL DAMPER |
| R1 | RETURN GRILLE PRICE MODEL 36x24/610ZDAL/F/L/A/B12 | 37 3/4"x25 3/4" | 36"x24" | 2200 cfm | B12 WHITE | C/W FRAME / BORDER TO SUIT MOUNTING TYPE |
| R2 | RETURN GRILLE PRICE MODEL 18x12/610ZDAL/F/L/A/B12 | 19 3/4"x13 3/4" | 18"x12" | 500 cfm | B12 WHITE | C/W PLENUM / BORDER TO SUIT MOUNTING TYPE |
| R3 | RETURN GRILLE PRICE MODEL 20x18/610ZDAL/F/L/A/B12 | 29 3/4"x15 3/4" | 28"x14" | 734 cfm | B12 WHITE | C/W PLENUM / BORDER TO SUIT MOUNTING TYPE |
| R4 | RETURN GRILLE PRICE MODEL 40x24/610ZDAL/F/L/A/B12 | 37 3/4"x25 3/4" | 36"x24" | 2000 cfm | B12 WHITE | C/W PLENUM / BORDER TO SUIT MOUNTING TYPE |
| E1 | PRICE EXHAUST GRILLE 12x12/610ZDAL/F/L/A/B12 | 12"x12" | 6"ø | 0 cfm - 70 cfm | B12 WHITE | C/W PLENUM / BORDER TO SUIT MOUNTING TYPE |
| E2 | PRICE EXHAUST GRILLE 12x12/610ZDAL/F/L/A/B12 | 12"x12" | 8"x8" | 71 cfm - 250 cfm | B12 WHITE | C/W PLENUM / BORDER TO SUIT MOUNTING TYPE |
| DG | PRICE DOOR GRILLE 22X14/ATGI/BF/B15 | 22"x14" | - | - | B15 | |

5 M204 DIFFUSER / GRILLE SCHEDULE

powers brown architecture

Architectural Consultant:
Powers Brown Architecture
354 Water St., Suite 212
St. John's, NL A1C 1C4
709.726.3941
www.powersbrown.com

PROJECT TITLE

STEPHENVILLE GROW - REMODEL
3 WESTERN DRIVE
BARACHOIS BROOK, NL A0N 1B0

A PROJECT FOR
CULTIVATION CATALYST CORP.

GENERAL NOTES

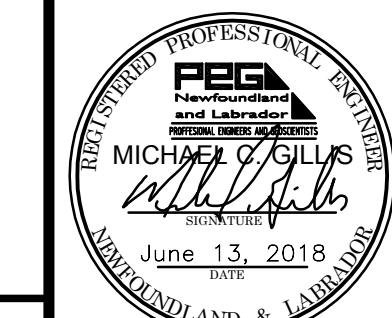


| DATE | REVISION |
|------------|------------------|
| 06.13.2018 | Issue for Tender |

PROJECT NO: 183003
DRAWN BY: G.W.
CHECKED BY: M.G.
SHEET TITLE

AIR DISTRIBUTION SCHEDULES

SEAL SHEET NUMBER



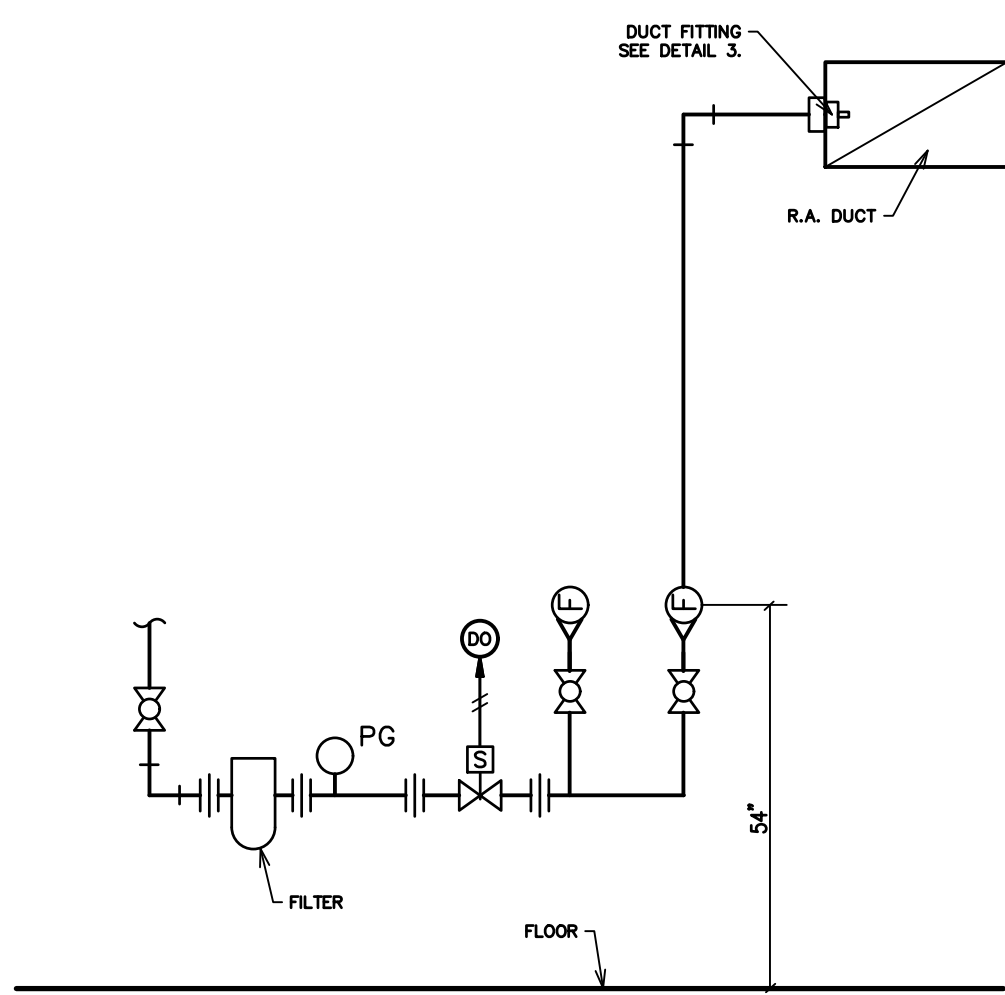
M204

| ROOM NAME LIST | |
|----------------|--------------------------------|
| NO. | ROOM NAME |
| 101 | VESTIBULE |
| 102 | LUNCH ROOM |
| 103 | ELECTRICAL ROOM |
| 104 | HALL |
| 105 | LOCKER AND GOWNING |
| 106 | LOCKER AND GOWNING |
| 107 | AIR LOCK |
| 108 | HALL |
| 109 | SECURITY |
| 110 | SERVER / IT |
| 111 | OFFICE |
| 112 | WASHROOM |
| 113 | SOIL PREP / STORAGE |
| 114 | SHIPPING / RECEIVING |
| 115 | DIRTY CORRIDOR |
| 116 | WATER / NUTRIENTS |
| 117 | AIR LOCK |
| 118 | MOTHERS |
| 119 | HALL |
| 120 | PROPAGATION |
| 121 | VEGETATION |
| 122 | CLEAN CORRIDOR |
| 123 | FLOWER ROOM 1 |
| 124 | MECHANICAL AND FIRE RISER ROOM |
| 125 | FLOWER ROOM 2 |
| 126 | FLOWER ROOM 4 |
| 127 | FLOWER ROOM 3 |
| 128 | FLOWER ROOM 5 |

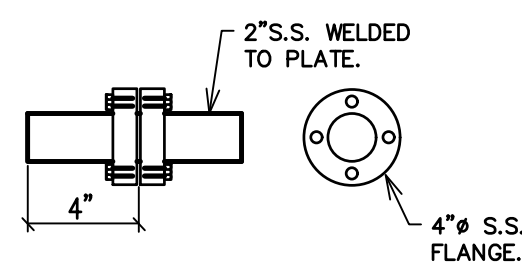
5
M205 ROOM LIST

| CARBON DIOXIDE LEGEND | |
|-----------------------|-------------------------------|
| | CARBON DIOXIDE SUPPLY PIPING |
| | BALL VALVE |
| | SOLENOID VALVE |
| | PRESSURE GAUGE |
| | FLOW INDICATION WITH SHUT-OFF |
| | EXCESS FLOW VALVE |
| | PRESSURE REDUCING VALVE |
| | RELIEF VALVE |
| | AUDIBLE ALARM |
| | VISUAL ALARM |

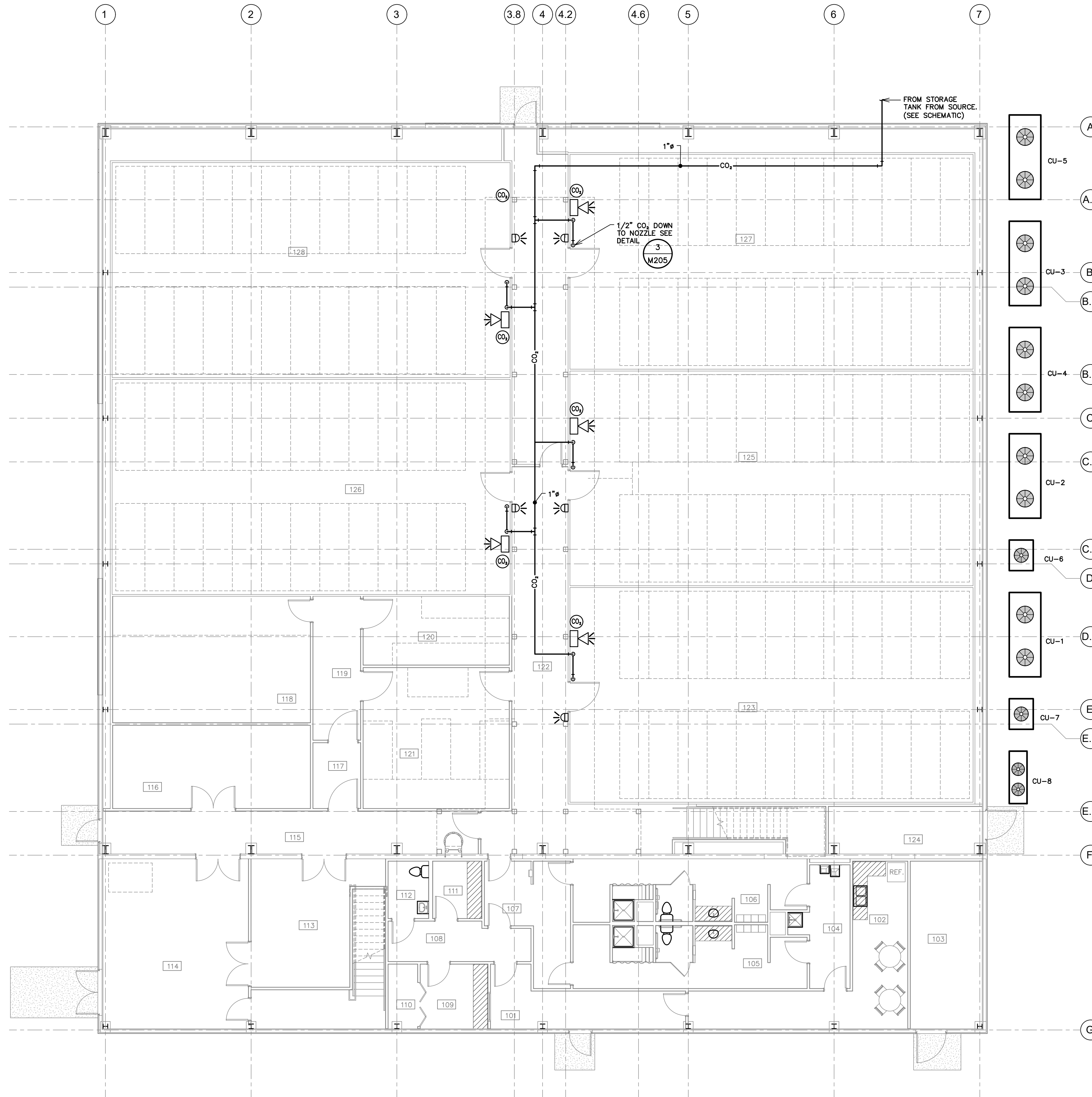
4
M205 SYMBOL LEGEND



3
M205 CO₂ DROP DETAIL



2
M205 DUCT FITTING DETAIL



1
M205 FIRST FLOOR PLAN - CO₂ PIPING

powers brown architecture

Architectural Consultant:
Powers Brown Architecture
354 Water St., Suite 212
St. John's, NL A1C 1C4
709.726.3941
www.powersbrown.com

PROJECT TITLE

STEPHENVILLE GROW - REMODEL
3 WESTERN DRIVE
BARACHOIS BROOK, NL A0N 1B0

A PROJECT FOR
CULTIVATION CATALYST CORP.

GENERAL NOTES

mcw Maricor
77 VAUGHAN HARVEY BLVD. SUITE 200
MONCTON, NB E1C 0K2
BUS: (506) 857-8880 FAX: (506) 859-8393
WWW.MCW.COM ENG. JOB NO. 11-18-026

| DATE | REVISION |
|------------|------------------|
| 06.13.2018 | Issue for Tender |
| | |
| | |
| | |
| | |
| | |
| | |
| | |
| | |
| | |

PROJECT NO: 183003
DRAWN BY: G.W.
CHECKED BY: M.G.

SHEET TITLE

FIRST FLOOR PLAN - CO₂ PIPING

SEAL **SHEET NUMBER**

M205

DATE PLOTTED 6/13/2018 6:06 PM

SCALE: 1/8"=1'-0"

PROJECT TITLE

**STEPHENVILLE GROW -
REMODEL**
3 WESTERN DRIVE
BARACHOIS BROOK, NL A0N 1B0

A PROJECT FOR
**CULTIVATION CATALYST
CORP.**

GENERAL NOTES

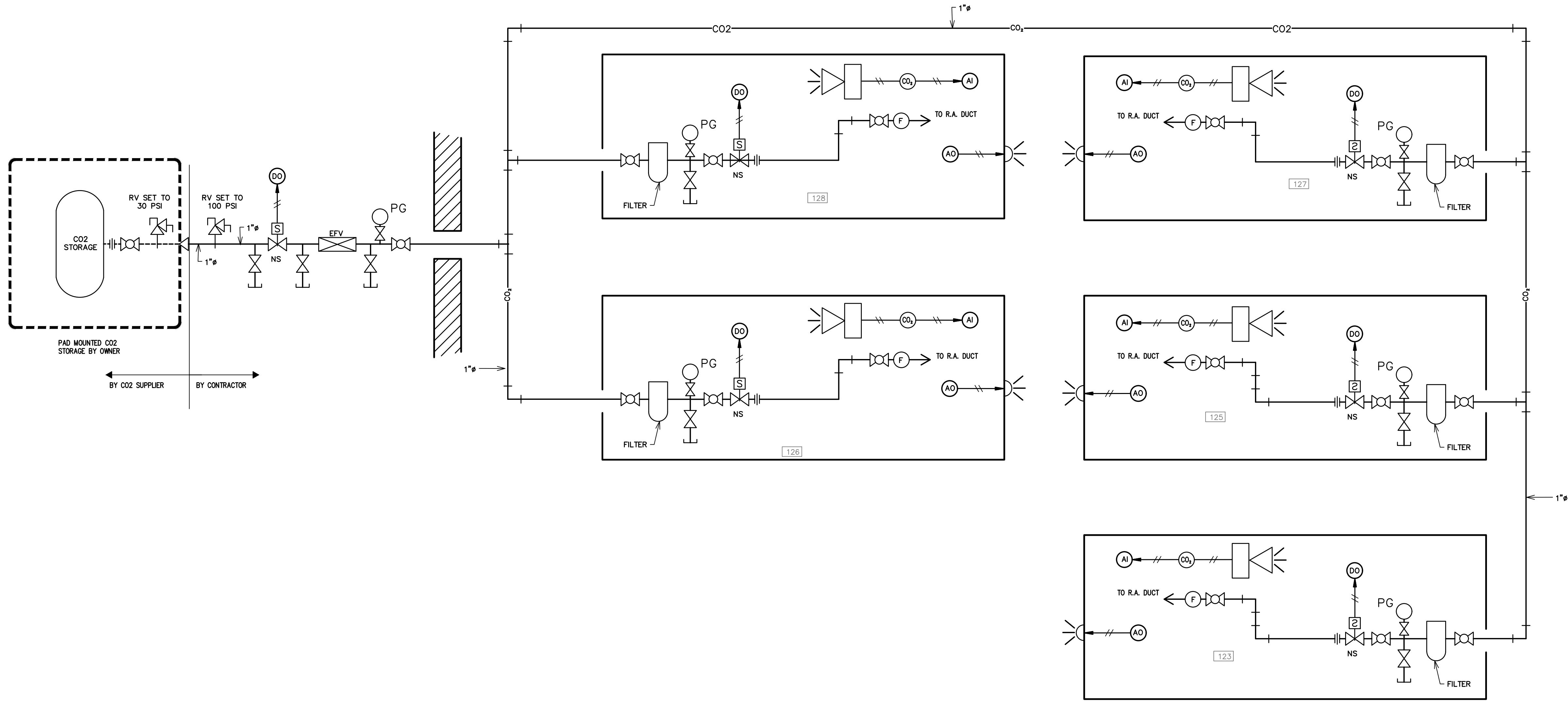
MCW Maricor
77 VAUGHAN HARVEY BLVD, SUITE 200
MONCTON, NB E1C 0K2
BUS: (506) 857-8880 FAX: (506) 859-8393
WWW.MCW.COM ENG. JOB NO. 11-18-026

| DATE | REVISION |
|------------|------------------|
| 06.13.2018 | Issue for Tender |
| | |
| | |
| | |
| | |
| | |
| | |
| | |
| | |

PROJECT NO: 183003
DRAWN BY: G.W.
CHECKED BY: M.G.

SHEET TITLE
CO2 PIPING SCHEMATIC

SEAL **SHEET NUMBER**
M206



DATE PLOTTED 6/13/2018 6:06 PM

1
M206 CO2 PIPING SCHEMATIC

N.T.S.



PROJECT TITLE
**STEPHENVILLE GROW -
REMODEL**
3 WESTERN DRIVE
BARACHOIS BROOK, NL A0N 1B0

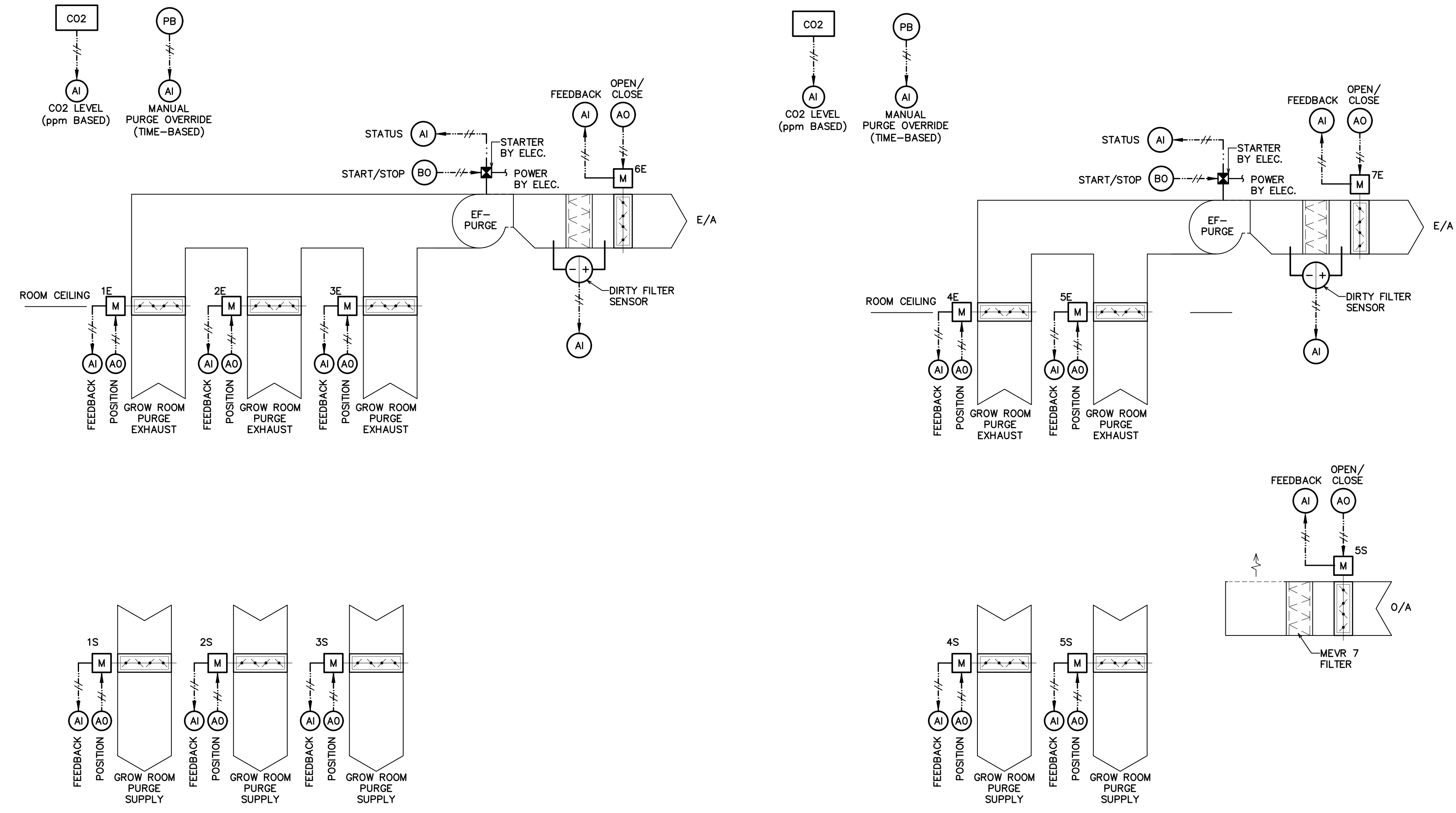
A PROJECT FOR
**CULTIVATION CATALYST
CORP.**

GENERAL NOTES

mcw Maricor
77 VAUGHAN HARVEY BLVD, SUITE 200
MONCTON, NB E1C 0K2
BUS: (506) 857-8880 FAX: (506) 859-8393
WWW.MCW.COM ENG. JOB NO. 11-18-026

SYMBOL LEGEND

- [R] RELAY
- [SCR] SILICON CONTROLLED RECTIFIER
- [AFS] AIR FLOW SWITCH
- [H] HUMIDITY SENSOR
- [T] TEMPERATURE SENSOR
- [T] AVERAGING TEMPERATURE SENSOR
- [CO₂] CARBON DIOXIDE SENSOR
- [SP] STATIC PRESSURE SENSOR
- [CT] CURRENT TRANSDUCER
- [AO] ANALOG OUTPUT POINT
- [AI] ANALOG INPUT POINT
- [BO] BINARY OUTPUT POINT
- [BI] BINARY INPUT POINT
- POWER WIRING
- CONTROL WIRING
- [SCR] ELECTRIC REHEAT COIL C/W SCR DISCONNECT
- [+] DIFFERENTIAL PRESSURE SENSOR
- [M] MOTORIZED DAMPER
- [] AIR FILTER
- [H] HEATING COIL
- [C] COOLING COIL
- [VFD] VARIABLE FREQUENCY DRIVE
- [] FAN



| DATE | REVISION |
|------------|------------------|
| 06.13.2018 | Issue for Tender |
| | |
| | |
| | |
| | |
| | |
| | |
| | |
| | |

PROJECT NO: 183003
DRAWN BY: G.W.
CHECKED BY: M.G.

SHEET TITLE
CONTROL SCHEMATICS

SEAL **SHEET NUMBER**

M300

Professional Engineer Seal: **Michael G. Gills**, June 13, 2018

DATE PLOTTED 6/13/2018 6:06 PM

PROJECT TITLE
STEPHENVILLE GROW - REMODEL
 3 WESTERN DRIVE
 BARACHOIS BROOK, NL A0N 1B0

A PROJECT FOR
CULTIVATION CATALYST CORP.

GENERAL NOTES

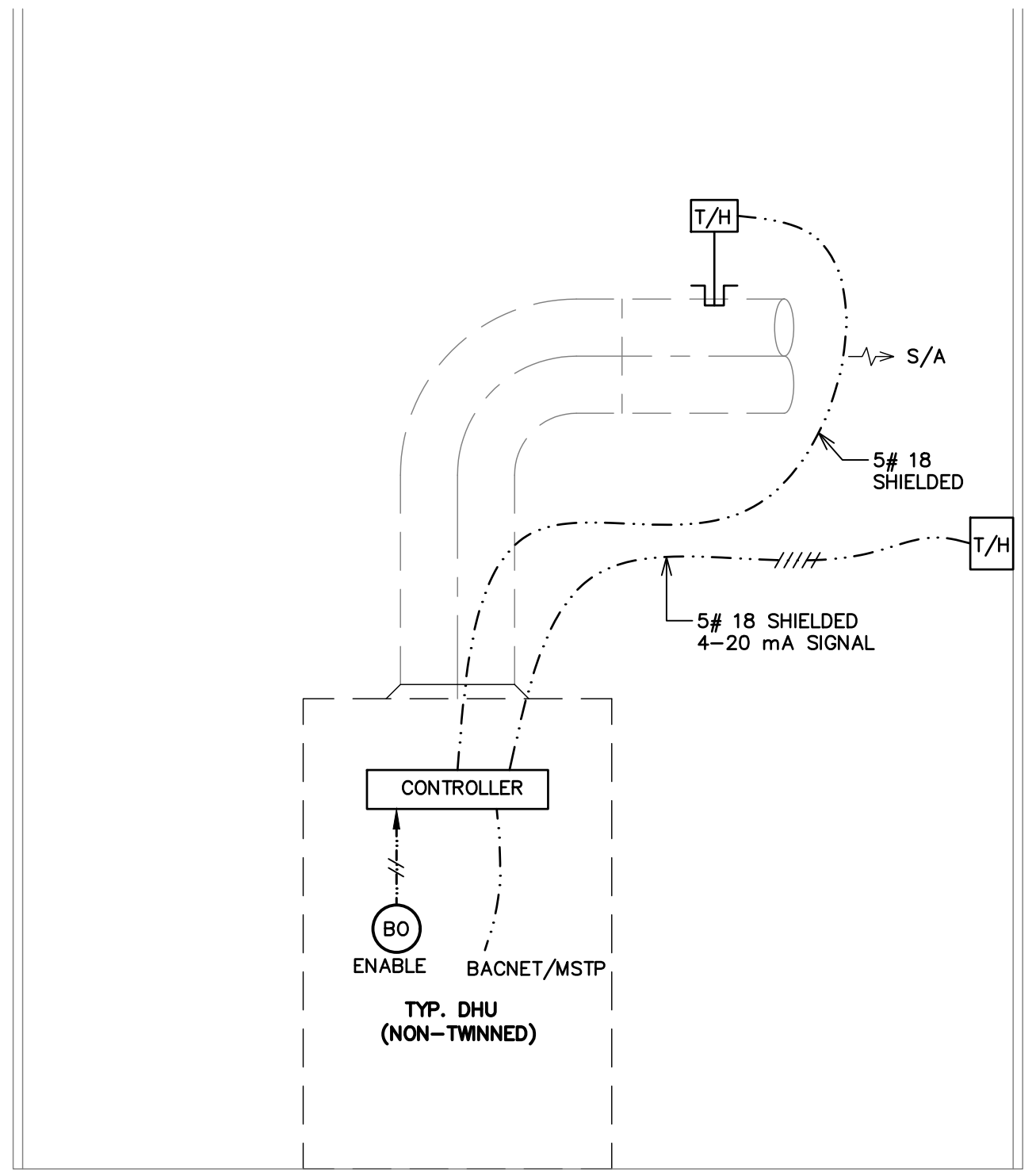
M301 OUTDOOR AIR TEMPERATURE SENSOR DETAIL N.T.S.

M301 CORRIDOR FRESH AIR SYSTEM CONTROL SCHEMATIC N.T.S.

M301 SYMBOL LEGEND

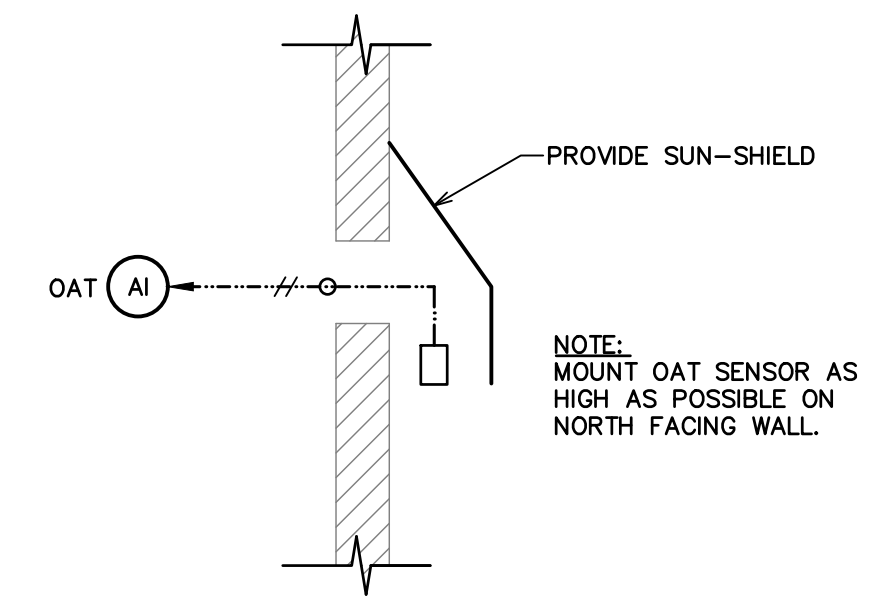
SYMBOL LEGEND

- RELAY
- SILICON CONTROLLED RECTIFIER
- AIR FLOW SWITCH
- HUMIDITY SENSOR
- TEMPERATURE SENSOR
- AVERAGING TEMPERATURE SENSOR
- CARBON DIOXIDE SENSOR
- STATIC PRESSURE SENSOR
- CURRENT TRANSDUCER
- ANALOG OUTPUT POINT
- ANALOG INPUT POINT
- BINARY OUTPUT POINT
- BINARY INPUT POINT
- POWER WIRING
- CONTROL WIRING
- ELECTRIC REHEAT COIL C/W SCR DISCONNECT
- DIFFERENTIAL PRESSURE SENSOR
- MOTORIZED DAMPER
- AIR FILTER
- HEATING COIL
- COOLING COIL
- VARIABLE FREQUENCY DRIVE
- FAN

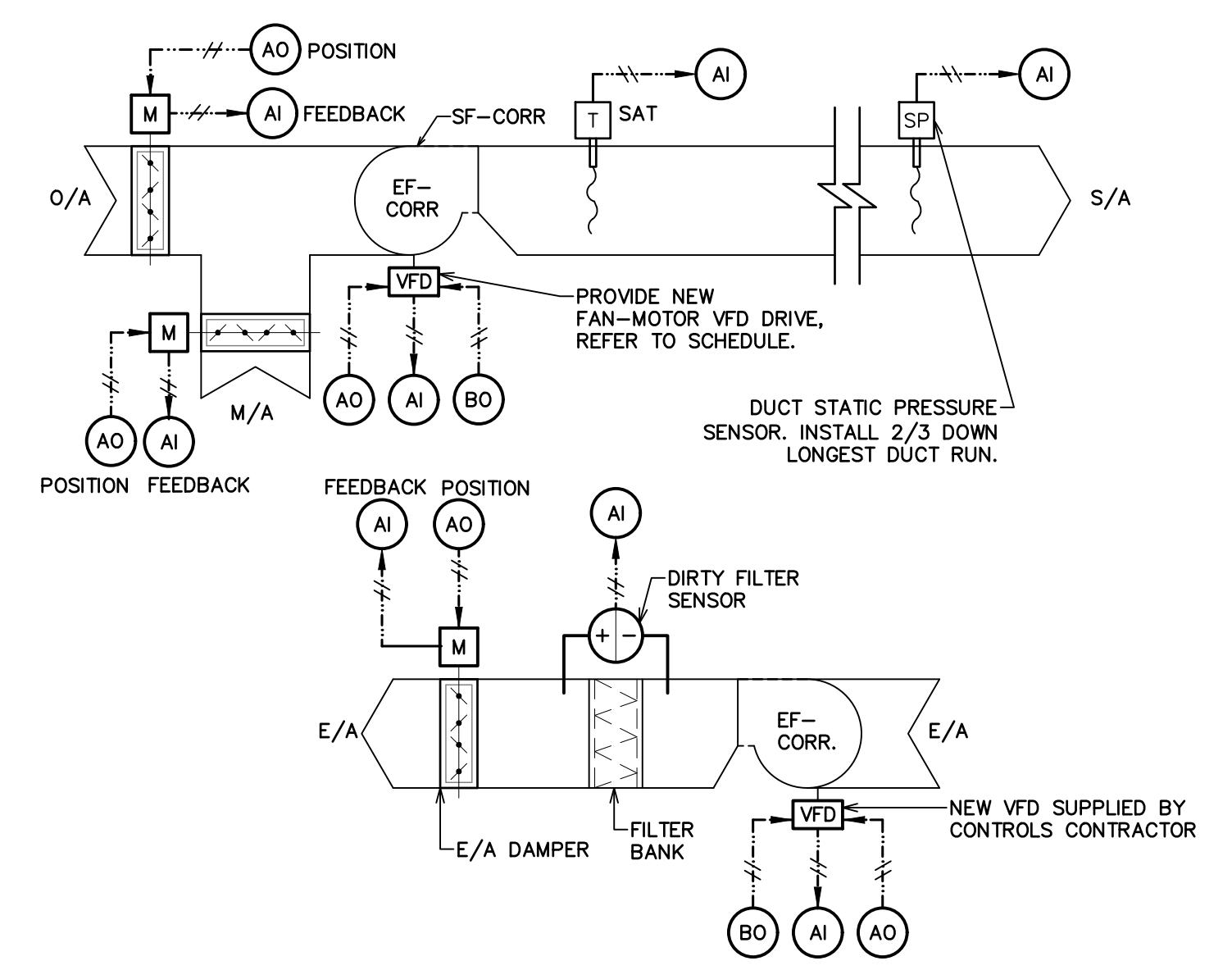


= COMBINATION TEMP./HUMID. SENSOR, DUCT-MOUNTED, 4-20mA OUTPUT. SUPPLIED w/ DHU, WIRED/INSTALLED BY CONTROLS CONTRACTOR.

= COMBINATION TEMP./HUMID. SENSOR, WALL-MOUNTED, 4-20mA OUTPUT. SUPPLIED w/ DHU, WIRED/INSTALLED BY CONTROLS CONTRACTOR.



M301 OUTDOOR AIR TEMPERATURE SENSOR DETAIL N.T.S.



M301 CORRIDOR FRESH AIR SYSTEM CONTROL SCHEMATIC N.T.S.

| DATE | REVISION |
|------------|------------------|
| 06.13.2018 | Issue for Tender |
| | |
| | |
| | |
| | |
| | |
| | |
| | |
| | |

PROJECT NO: 183003
DRAWN BY: G.W.
CHECKED BY: M.G.

SHEET TITLE
CONTROL SCHEMATICS

SEAL **SHEET NUMBER**

M301