



POST HYDRANTS

Post Hydrants serve a purpose

Jeff B. Jensen, Atlantic Canada Technical Sales Representative

March 28th, 2018

Gander NL Clean Water Seminar

Mueller Canada

Reliable Connections™



POST HYDRANTS & STANDARD HYDRANT



Mueller Canada

Reliable Connections™



POST HYDRANT & STANDARD HYDRANT





TWO HOSE POST HYDRANT





OPERATING NUT TO SUIT YOUR SPECIFICATION





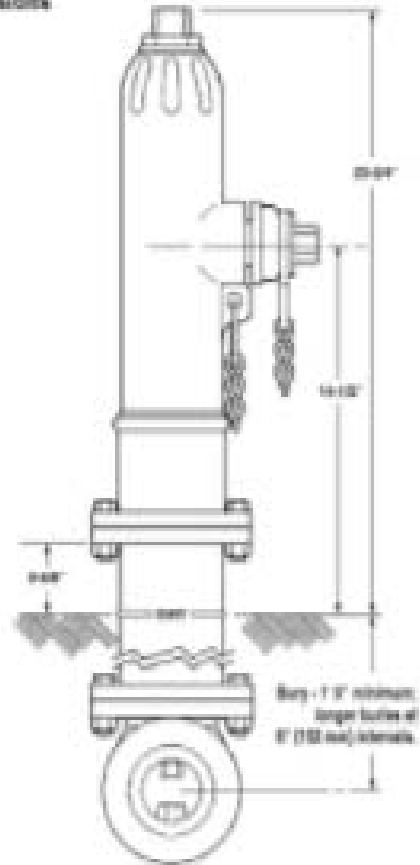
DON MAKING A CUT-AWAY POST HYD



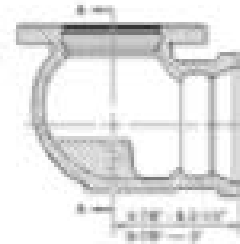


POST HYDRANT-AWWA : INLETS

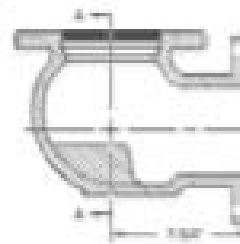
Dimensions



2" and 2 1/2"
Mechanical joint



2" and 2 1/2"
Flange



2", 2 1/2", and 3"
Threaded



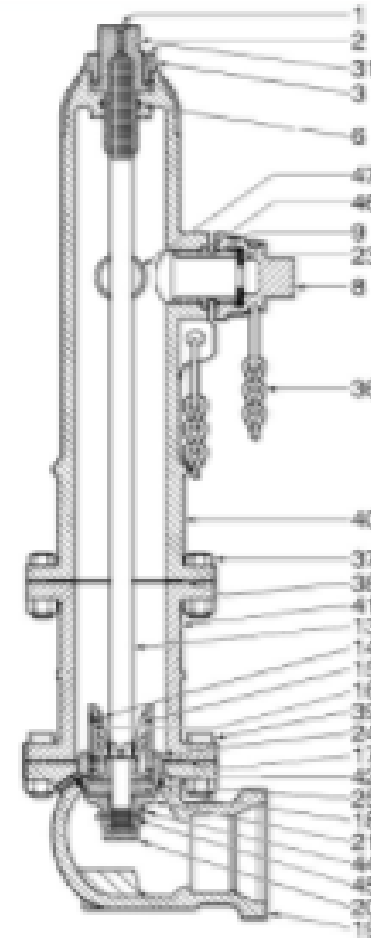


POST HYDRANT-AWWA

Mueller Super Centurion Fire Hydrant Parts

Catalog Part Number	Description	Material	Material Standard
1	Oil Screw for Operating Nut	Brass	ASTM B36
2	Operating Nut	Bronze	ASTM B564
3	Hold Down Nut	Bronze	ASTM B564
6	Operating Nut O-Ring	Rubber	ASTM D2000 - Buna N
8	Hose Nozzle Cap	Cast Iron	ASTM A126 CL B
9	Hose Nozzle	Bronze	ASTM B564
13	Stem	Steel	ASTM A576 GR.B
14	Drain Valve Screw	Stainless Steel	SAE J429 Grade 2
15	Upper Valve Plate	Bronze	ASTM B564
16	Drain Valve Facing	Plastic	-
17	Shoe Gasket	Rubber	ASTM D2000 - Buna N
18	Main Valve	Rubber	ASTM D2000 - NBR
19	Shoe	Cast Iron	ASTM A126 CL B
20	Valve Plate Nut	Bronze	ASTM B564
21	Lower Valve Plate	Cast Iron	ASTM A126 CL B
23	Hose Nozzle O-ring	Rubber	ASTM D2000 - Neoprene
24	Seal Ring	Bronze	ASTM B564
25	Seal Ring Gasket	Copper	ASTM B372
31	Oil Screw	Brass	ASTM B36
31B	O-ring (for oil screws)	Rubber	ASTM D2000 - Buna N
36	Nozzle Cap Chain	Steel	Plated
37	Barrel Flange Bolt and Nut	Steel	ASTM A307 Plated
38	Barrel Flange Gasket	Rubber	ASTM D2000 - Buna N
39	Shoe Bolt and Nut	Steel	ASTM A307 Plated
40	Upper Barrel	Cast Iron	ASTM A126 CL B
41	Lower Barrel	Cast Iron	ASTM A126 CL B
42	O-ring	Rubber	ASTM D2000 - Buna N
44	Valve Nut Washer	Stainless Steel	ASTM A316
45	Valve Nut Seal	Rubber	ASTM D2000 - Buna N
46	Nozzle Lock	Stainless Steel	ASTM A316
47	Hose Nozzle Gasket	Rubber	ASTM D2000 - Neoprene

* Includes items #14 and #15. For pre-1995 models refer to parts drawing on page 2-15.



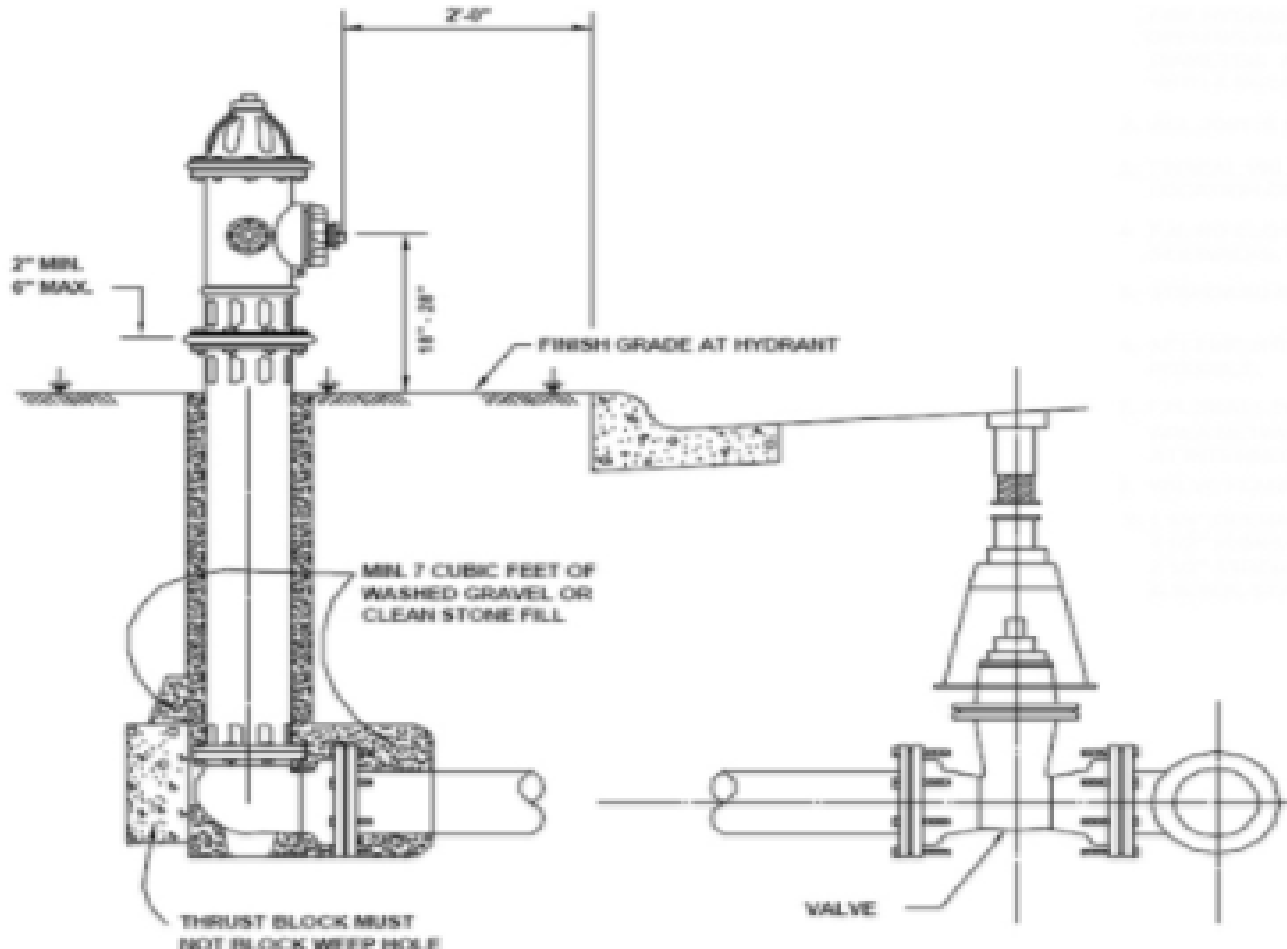


POST HYDRANT DRAIN BELOW FROST





STD HYDRANTS ON WATER MAINS 6" AND LARGER. NEVER SMALLER





WHAT CAN HAPPEN IF YOU USE A STANDARD HYDRANT ON A 2" LINE





COLLAPSED PIPE





WATER HEATERS





HYDRANT SUPPORTED BY WATER LINE AND ACCEPTABLE FIRE FLOW RATES





YARD HYDRANTS NON-AWWA





BLOW-OFF SAMPLE STATION BETTER OPTION????





Questions?

Thank-you for your time