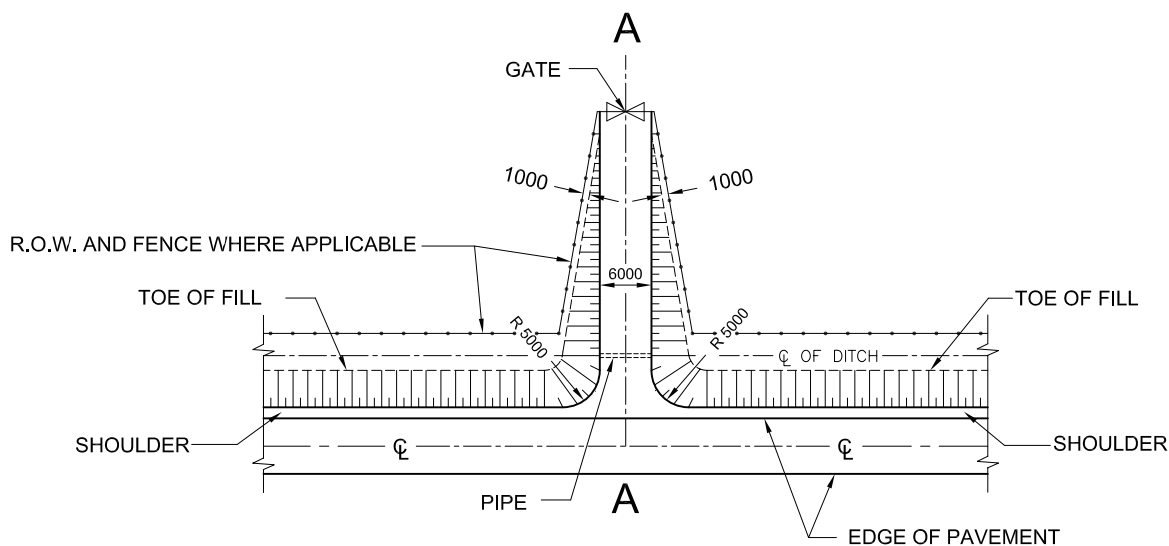


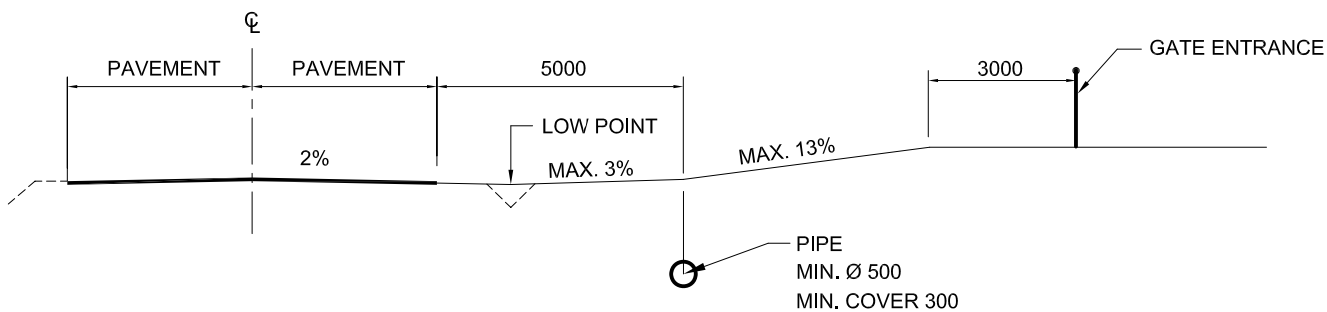
CROSS SECTION OF PRIVATE ENTRANCE

N.T.S.



PLAN

N.T.S.



SECTION A-A

SCALE 1 : 150



TRANSPORTATION AND WORKS
HIGHWAY DESIGN DIVISION

PRIVATE ENTRANCE IN CUT

DRAWN BY: DEB KIRBY

DATE: 02-01-10

SCALE N.T.S.