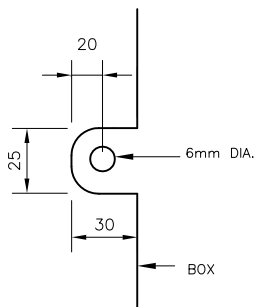


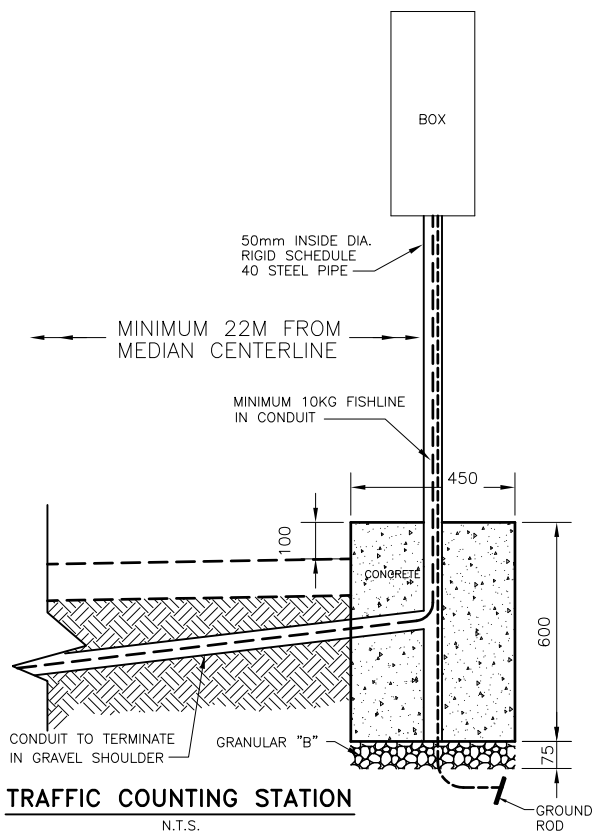
**BOLT DETAIL**

N.T.S.



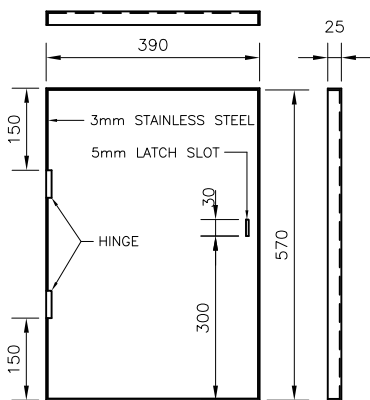
**LATCH DETAIL**

N.T.S.



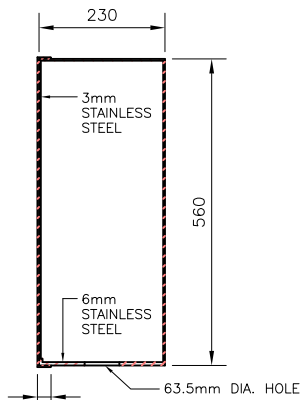
**TRAFFIC COUNTING STATION**

N.T.S.



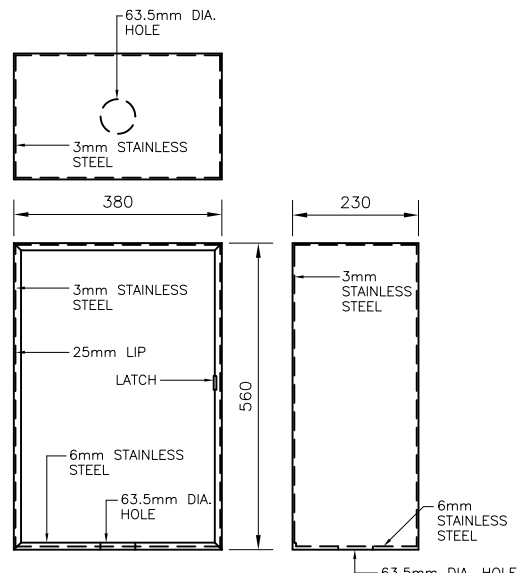
**BOX COVER**

N.T.S.



**SECTION OF BOX & COVER**

N.T.S.



**TRAFFIC COUNTER BOX**

N.T.S.



TRANSPORTATION AND WORKS  
HIGHWAY DESIGN DIVISION

**TRAFFIC COUNTER BOX**

DRAWN BY: J. Roberts

DATE: 98-01-13

NOT TO SCALE