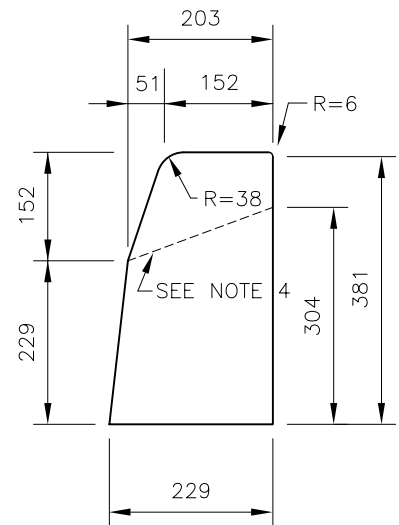
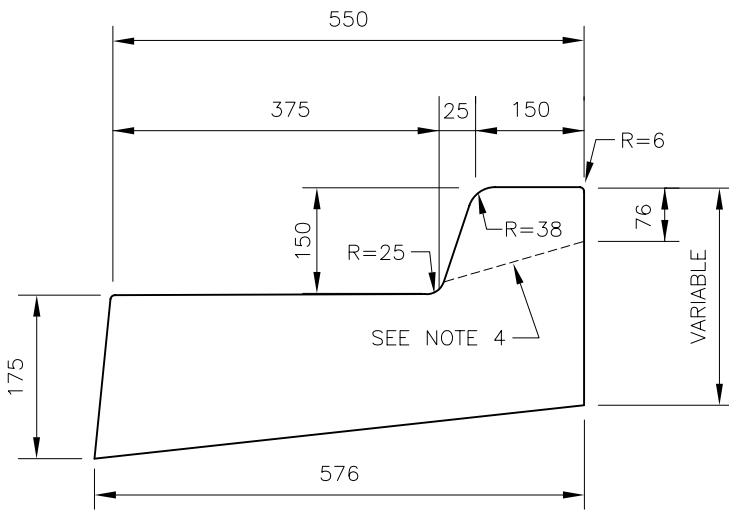


TYPE 'C' CURB



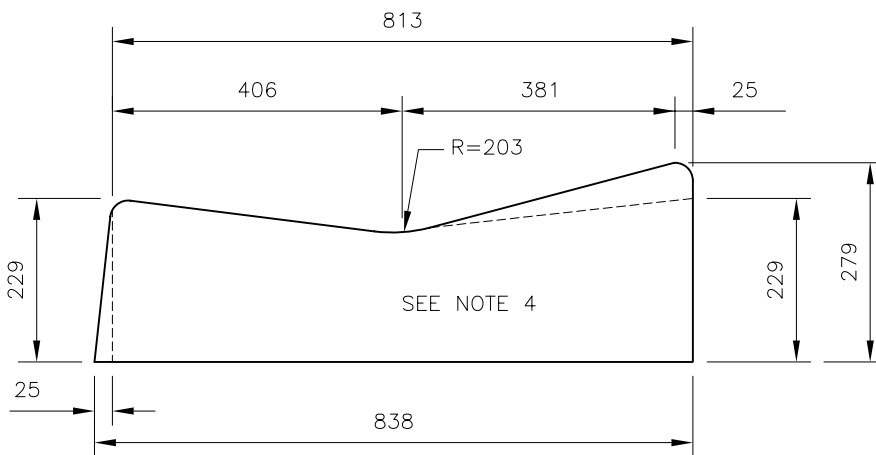
TYPE 'G' CURB



TYPE 'D' CURB

NOTES:

1. CONCRETE 35MP<sub>a</sub>
2. ISOLATION JOINTS @ 6.0m INTERVALS
3. ISOLATION JOINT MATERIAL TO BE ASPHALTIC, NON-PROTUDING MATERIAL.
4. DROP CURB AT ENTRANCES.
5. TAPERED END TREATMENT AT ENDS.



TYPE 'H' CURB