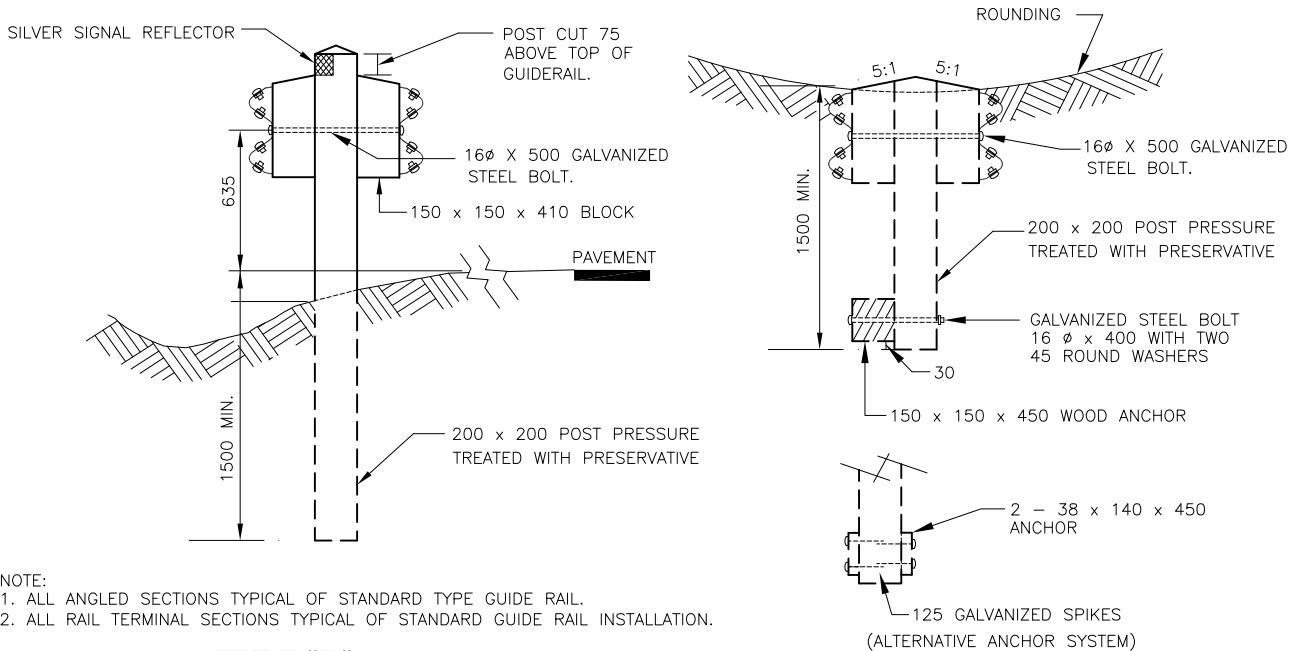


NOTE:

1. SLOPED AND BURIED GUIDE RAIL SECTION (2 LENGTHS OF RAILING)
2. ALL WOOD TO BE PRESSURE TREATED WITH PRESERVATIVE.

**STANDARD TYPE**

**TYPE "A"**



NOTE:

1. ALL ANGLED SECTIONS TYPICAL OF STANDARD TYPE GUIDE RAIL.
2. ALL RAIL TERMINAL SECTIONS TYPICAL OF STANDARD TYPE GUIDE RAIL INSTALLATION.

**TYPE "B"**

**TYPE "B" - BURIED END**



TRANSPORTATION AND INFRASTRUCTURE  
HIGHWAY DESIGN DIVISION

**TYPICAL GUIDE RAIL  
INSTALLATION TYPES**

DRAWN BY: DEB KIRBY

DATE: REV 2019-04-05

SCALE: N.T.S.