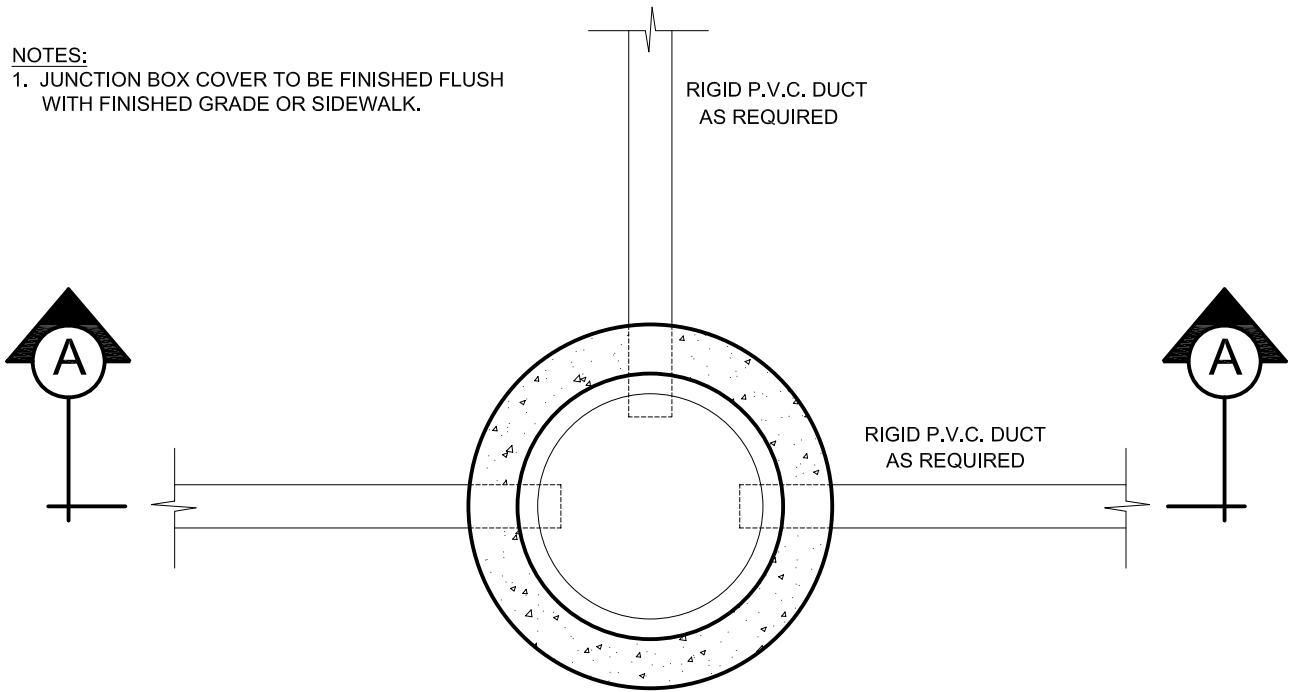


NOTES:

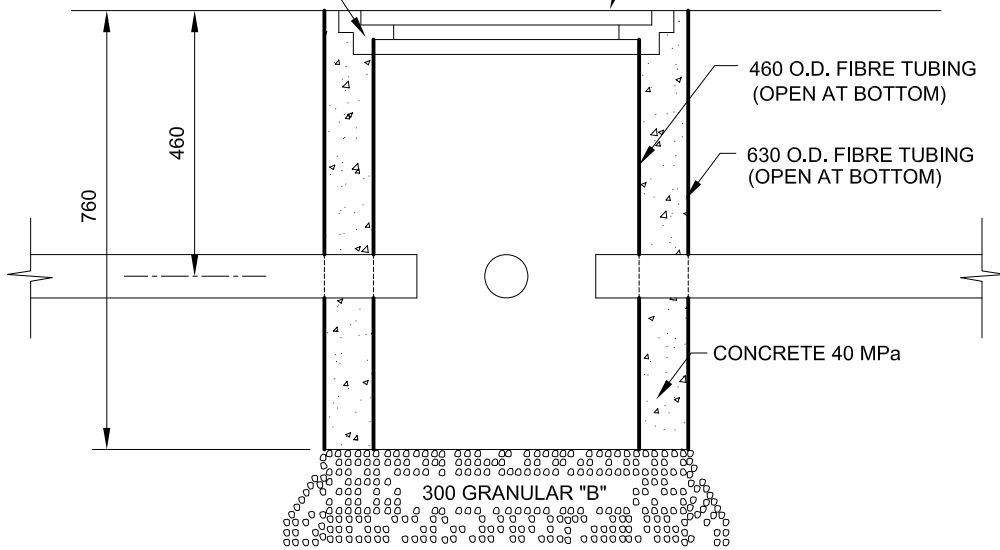
1. JUNCTION BOX COVER TO BE FINISHED FLUSH WITH FINISHED GRADE OR SIDEWALK.



CUT 3- 11 X 38 SLOTS IN FIBRE TUBE FOR VERTICAL FRAME ADJUSTMENT.
 ANCHOR FRAME IN CONCRETE WITH 3- 10Ø X 38 LONG GALVANIZED BOLTS.
 GROUND LUG FOR #6 AWG STRANDED COPPER WIRE TO BE ATTACHED TO ONE BOLT.

PLAN
 SCALE N.T.S.

460 CAST IRON FRAME AND COVER ALMAT METAL LTD. CAT. No. DD-1428 OR EQUAL. COVER TO BE RETAINED BY A 13Ø STAINLESS STEEL CAP SCREW.



SECTION A-A
 SCALE N.T.S.



TRANSPORTATION AND WORKS
 HIGHWAY DESIGN DIVISION

ELECTRICAL JUNCTION BOX

DRAWN BY: H. JONES DATE: REV March 31, 2012 NOT TO SCALE