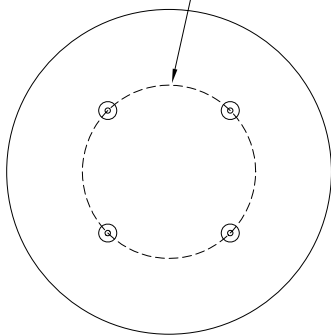


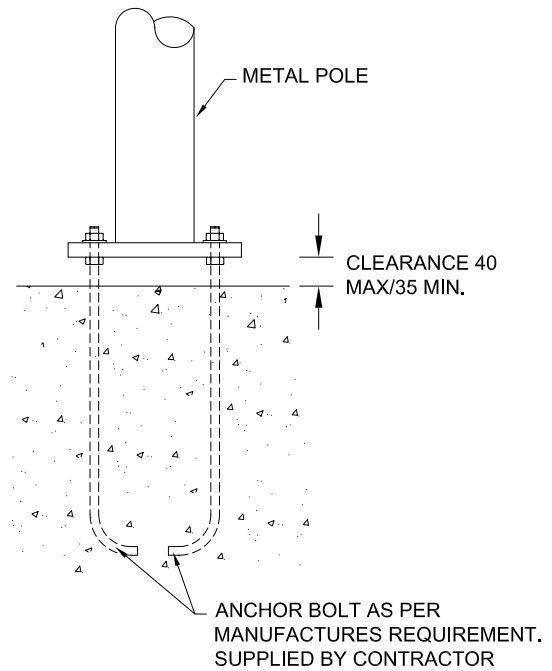
1. 75 RIGID PVC CONDUIT SHALL BE CONNECTED TO 75 DUCT WITH PVC ADAPTOR.
2. SLEEVES SHALL BE PLUGGED AT BOTH ENDS WITH PLASTIC PLUGS UNTIL REQUIRED FOR USE.
3. 25 RIGID CONDUIT IN POLE BASE AS PER DUCT PLAN OR AS DIRECTED BY THE ENGINEER.
4. CONCRETE SHALL BE 40MPa.

ELEVATION
Scale NTS

BOLT CIRCLE DIAMETER,
MUST MATCH POLE BASE.



ANCHOR BOLT TEMPLATE
Scale NTS



FOUNDATION DETAIL
Scale NTS