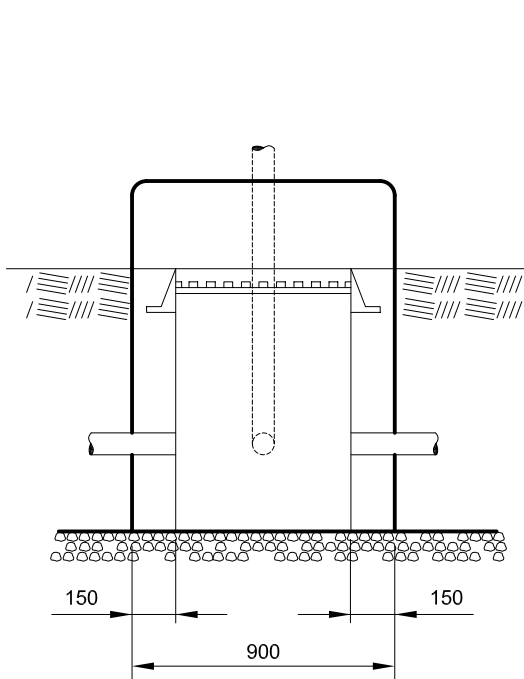


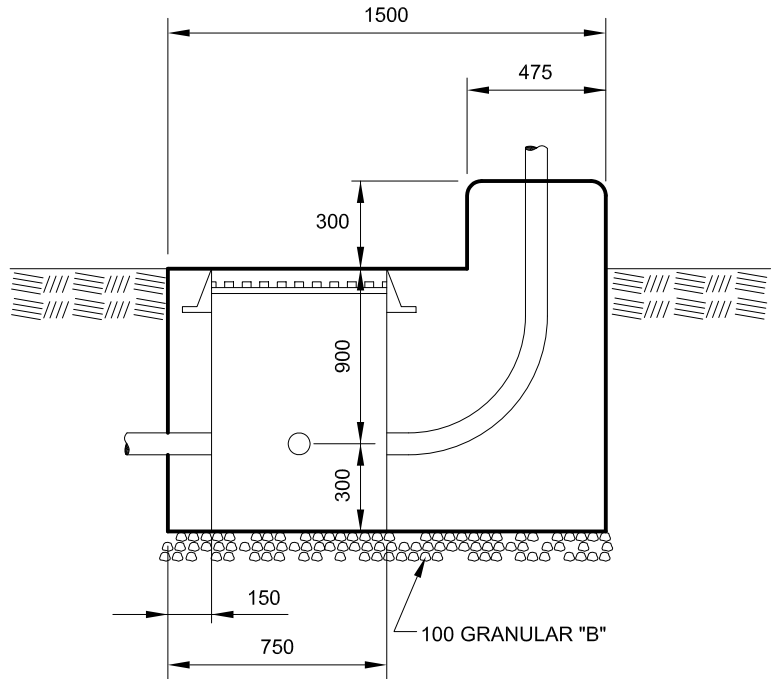
**PLAN VIEW**

**NOTES:**

1. CONCRETE 40 MPa
2. ALL EXPOSED EDGES TO BE CHAMFERED 25.



**SECTION A-A**



**SECTION B-B**