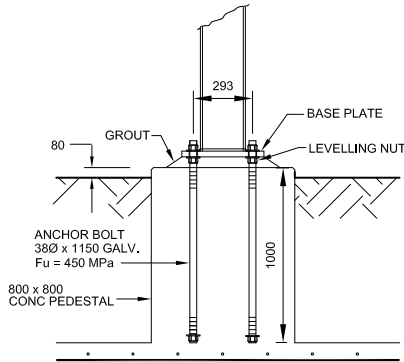
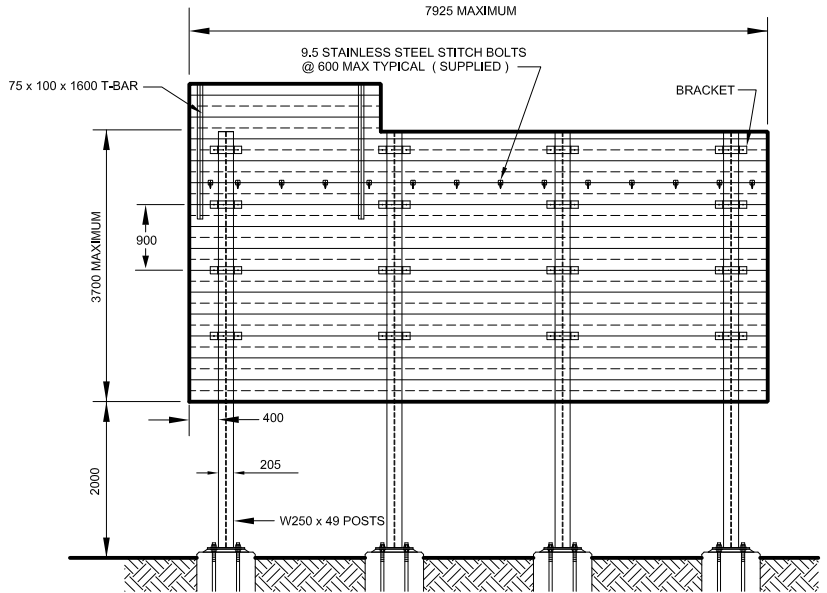
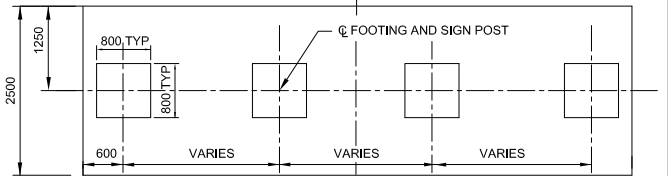
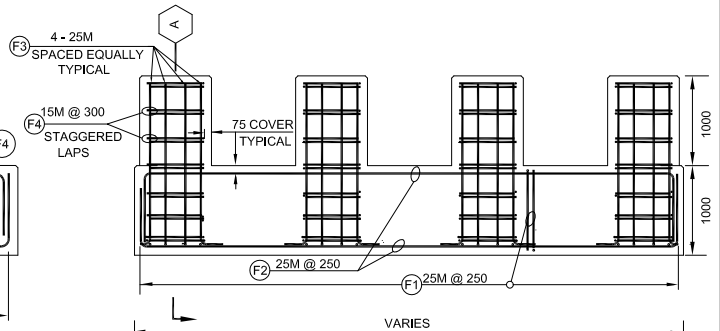
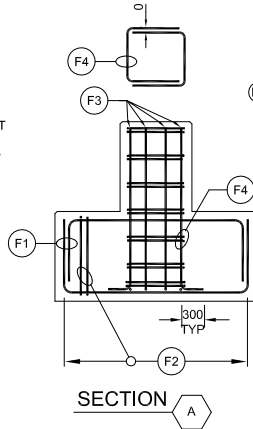


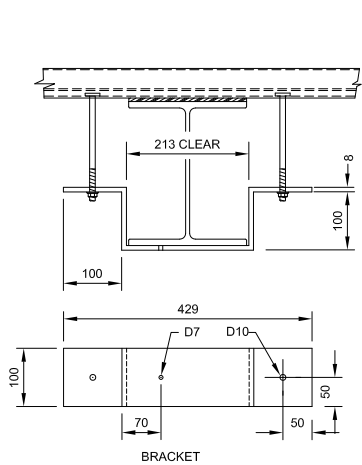
BASE PLATE DETAIL
NOT TO SCALE



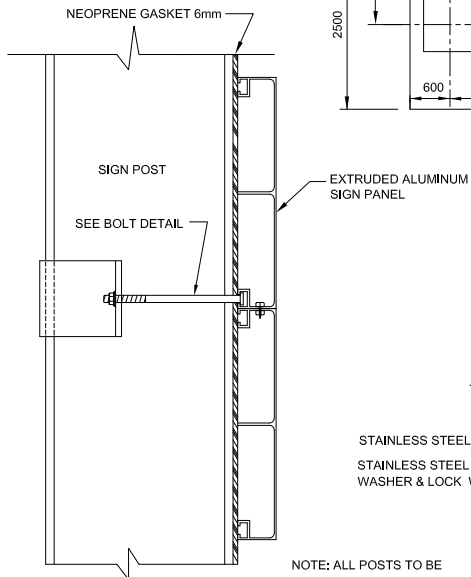
POST ANCHORAGE DETAIL
NOT TO SCALE



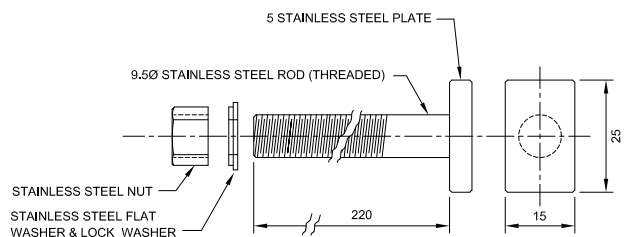
FOUNDATION PLAN
NOT TO SCALE



ASSEMBLY DRAWING
NOT TO SCALE



NOTE: ALL POSTS TO BE CSA G40-21 GRADE 350W



BOLT DETAIL
NOT TO SCALE