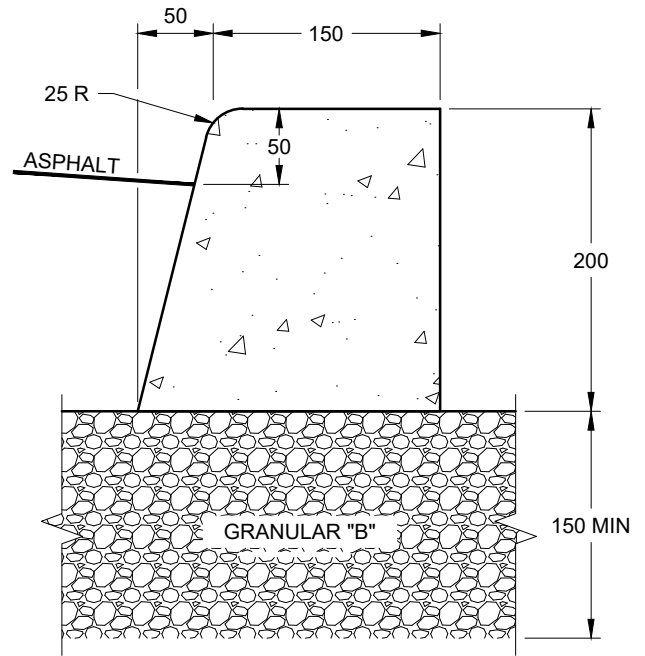


HIGH BACK



LOW BACK

NOTES:

1. 32 MPa CONCRETE TO MEET CSA A23.1/A23.2, CLASS C-2 EXPOSURE.
2. ALL DIMENSIONS ARE IN MILLIMETERS UNLESS OTHERWISE NOTED.
3. CONTRACTION JOINTS IN CURB AND GUTTER SECTIONS SHOULD EXTEND COMPLETELY THROUGH THE CURB HEIGHT AND 1/4 OF THE GUTTER THICKNESS. WHEN SIDEWALK IS ADJACENT TO CURB, MAKE JOINTS OF CURB AND SIDEWALK ALIGN.
4. IF THE CURB IS INTEGRAL WITH CONCRETE PAVEMENT, CONTRACTION JOINT SPACING IN THE CURB SHOULD MATCH THAT IN THE PAVEMENT.
5. CONTRACTION JOINTS SHOULD BE LOCATED WHERE THE PLACING OF CONCRETE MUST BE STOPPED FOR A PERIOD IN EXCESS OF 30 MINUTES.

**MUNICIPAL MASTER
SPECIFICATIONS**

CONCRETE BARRIER CURB

DRAWING NUMBER 04080

DATE: APRIL 2023

SCALE: N.T.S.