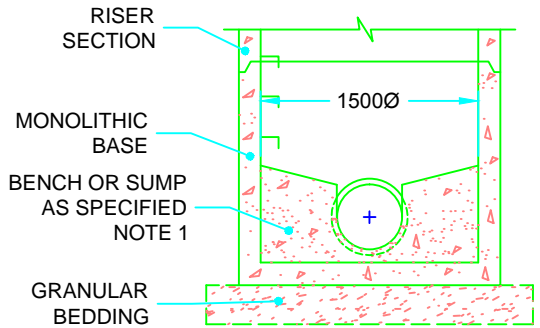
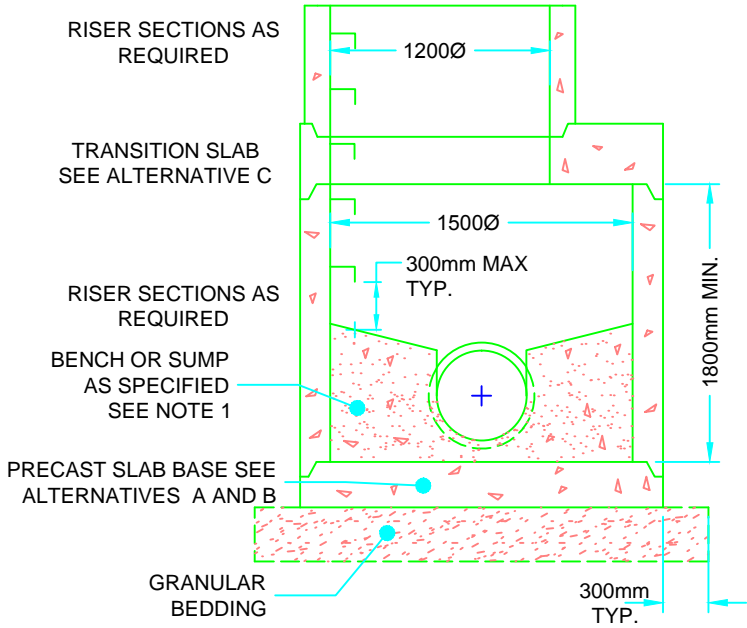
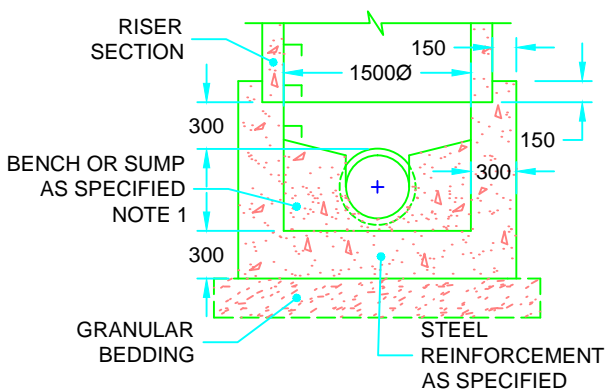


# ALTERNATIVES



**A PRECAST MONOLITHIC BASE**



**B CAST-IN-PLACE BASE**

**NOTES:**

1. FOR SUMP DETAIL SEE STANDARD DRAWING 04190.
2. GRANULAR BACKFILL SHALL BE PLACED TO A MINIMUM THICKNESS OF 300mm ALL AROUND THE MANHOLE.
3. PRECAST CONCRETE COMPONENTS SHALL BE ACCORDING TO STANDARD DRAWINGS 04230.
4. STRUCTURES EXCEEDING 5.0m IN DEPTH SHALL INCLUDE SAFETY PLATFORM ACCORDING TO STANDARD DRAWING 04270.
5. PIPE SUPPORT SHALL BE ACCORDING TO STANDARD DRAWING 04260.
6. BENCHING AND PIPE OPENING DETAILS SHALL BE ACCORDING TO STANDARD DRAWING 04320.
7. ADJUSTMENT UNIT AND FRAME INSTALLATION SHALL BE ACCORDING TO STANDARD DRAWING 04250.
8. ALL DIMENSIONS ARE NOMINAL.
9. ALL DIMENSIONS ARE IN MILLIMETERS UNLESS OTHERWISE SHOWN.

**MASTER SPECIFICATIONS**

**PRECAST CONCRETE MANHOLE**  
1500mm DIAMETER

DRAWING NUMBER 04200

DATE: MARCH 2016  
SCALE: N.T.S.