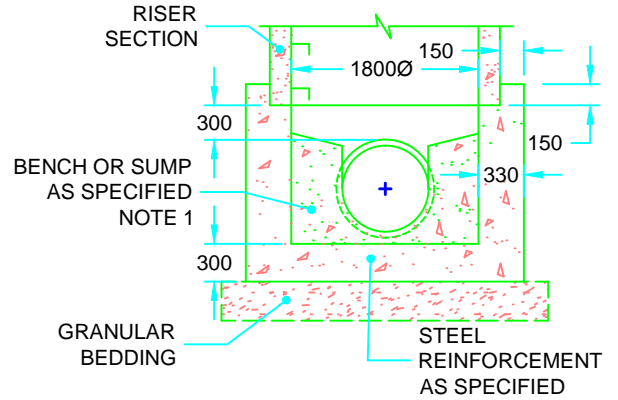


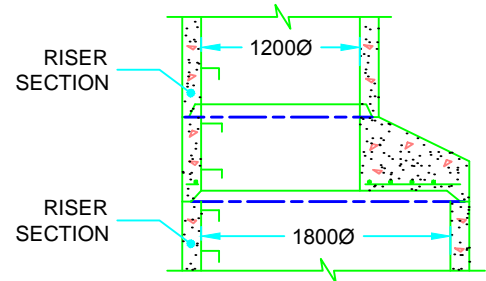
NOTES:

1. FOR SUMP DETAIL SEE STANDARD DRAWING 04190.
2. GRANULAR BACKFILL SHALL BE PLACED TO A MINIMUM THICKNESS OF 300mm ALL AROUND THE MAINTENANCE HOLE.
3. PRECAST CONCRETE COMPONENTS SHALL BE ACCORDING TO STANDARD DRAWING 04240.
4. STRUCTURES EXCEEDING 5.0m IN DEPTH SHALL INCLUDE SAFETY PLATFORM ACCORDING TO STANDARD DRAWING 04270.
5. PIPE SUPPORT SHALL BE ACCORDING TO STANDARD DRAWING 04260 .
6. BENCHING AND PIPE OPENING DETAILS SHALL BE ACCORDING TO STANDARD DRAWING 04320.
7. FOR ADJUSTMENT UNIT AND FRAME INSTALLATION, SEE STANDARD DRAWING 04250.
8. ALL DIMENSIONS ARE NOMINAL.
9. ALL DIMENSIONS ARE IN MILLIMETERS UNLESS OTHERWISE SHOWN.

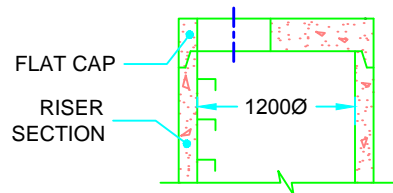
ALTERNATIVES



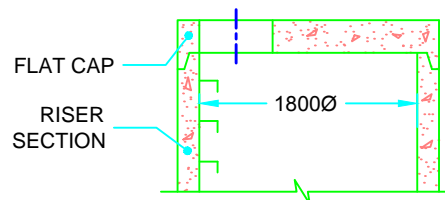
A CAST-IN-PLACE BASE



B TAPERED TRANSITION SLAB



C 1200mm PRECAST FLAT CAP



D 1800mm PRECAST FLAT CAP

MASTER SPECIFICATIONS

**PRECAST CONCRETE MAINTENANCE HOLE
1800mm DIAMETER**

DRAWING NUMBER 04210

DATE: MARCH 2016

SCALE: N.T.S.