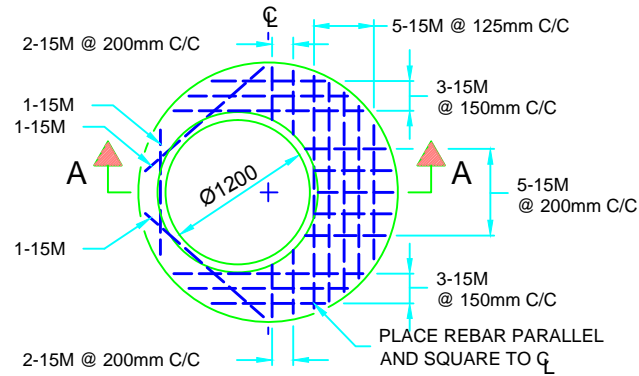


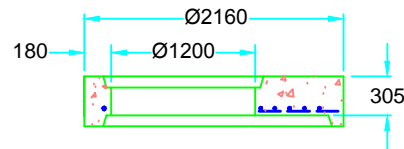
**1800 to 1200mm DIAMETER  
MAN HOLE**

**NOTES:**

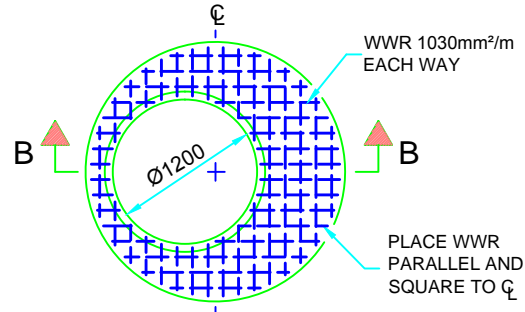
1. THIS STANDARD DRAWING SHALL BE READ IN CONJUNCTION WITH STANDARD DRAWING 04210.
2. ALL REINFORCING STEEL SHALL HAVE 25mm MINIMUM COVER.
3. STEPS SHALL BE ACCORDING TO STANDARD DRAWING 04280.
4. ALL DIMENSIONS ARE NOMINAL.
5. ALL DIMENSIONS ARE IN MILLIMETERS UNLESS OTHERWISE SHOWN.



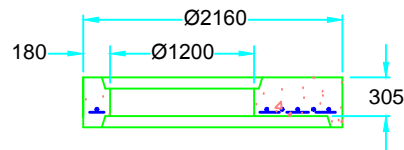
**PLAN OF TRANSITION SLAB WITH  
REINFORCING STEEL BARS**



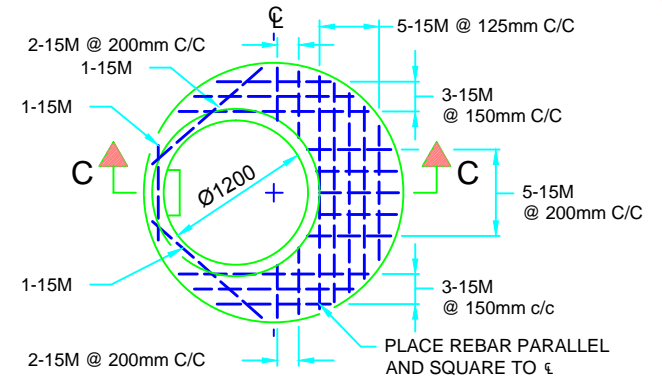
**SECTION A-A**



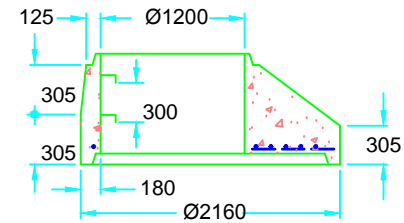
**PLAN OF TRANSITION SLAB  
WITH WWR**



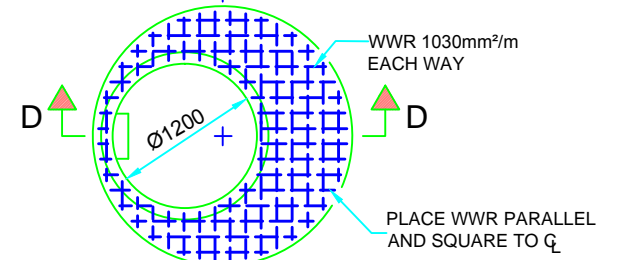
**SECTION B-B**



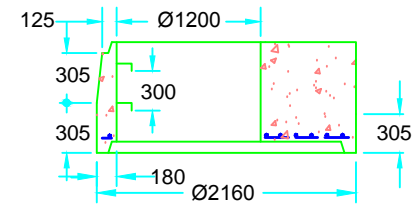
**PLAN OF TAPERED TRANSITION SLAB  
WITH REINFORCING STEEL BARS**



**SECTION C-C**



**PLAN OF TAPERED TRANSITION SLAB WITH WWR**



**SECTION D-D**

**MASTER  
SPECIFICATIONS**

**PRECAST CONCRETE MAN HOLE  
COMPONENTS**  
1800mm DIAMETER TRANSITION SLABS

DRAWING NUMBER 04240

DATE:  
MARCH 2016

SCALE:  
N.T.S.