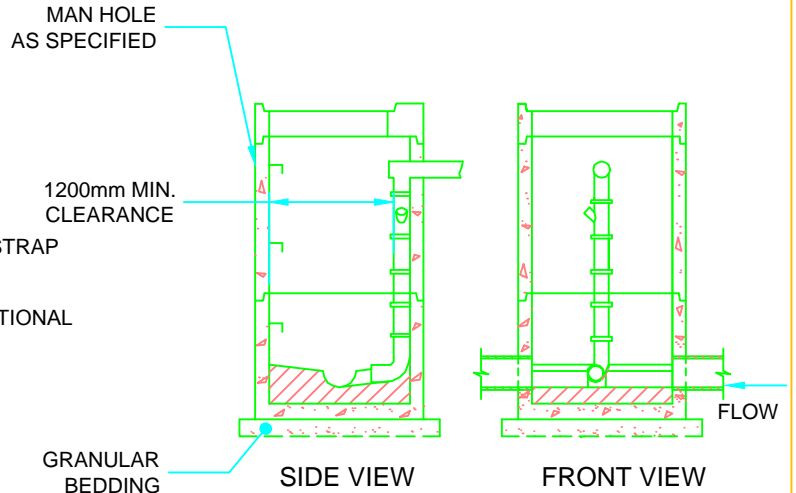
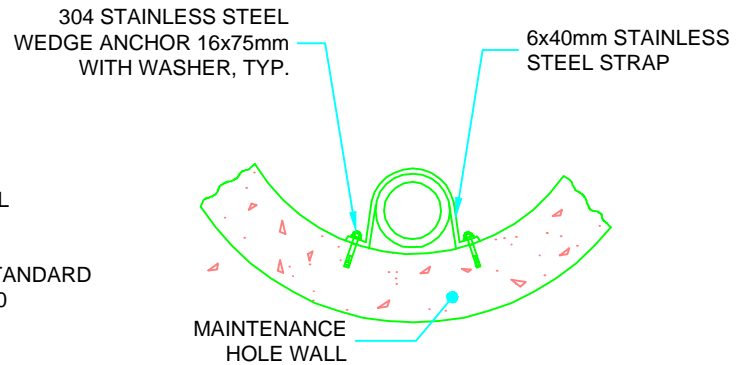


INTERNAL DROP STRUCTURE DETAIL



MAN HOLE IN SECTION



FASTENER DETAIL

NOTES:

1. AT THE ELBOW, A STAINLESS STEEL STRAP IS REQUIRED AT BOTTOM OF BELL.
2. STRAPS SHALL NOT BE PLACED WITHIN 150mm OF ANY MAN HOLE SECTION JOINT.
3. INTERNAL DROP STRUCTURE SHALL BE USED IN MAN HOLES WITH A MINIMUM HEIGHT OF 600mm FROM THE INLET PIPE INVERT TO THE BOTTOM OF CHANNEL.
4. DROP PIPE SHALL BE ONE SIZE SMALLER THAN THE INCOMING SEWER WITH A MINIMUM 150mm DIAMETER AND MAXIMUM OF 375mm DIAMETER. A MAXIMUM OF 300mm DIAMETER FOR 1500mm MAINTENANCE HOLES.
5. ALL DIMENSIONS ARE IN MILLIMETERS UNLESS OTHERWISE SHOWN.

MASTER SPECIFICATIONS

INTERNAL DROP STRUCTURE FOR NEW MAINTENANCE HOLES

DRAWING NUMBER 04310

DATE: MARCH 2016

SCALE: N.T.S.