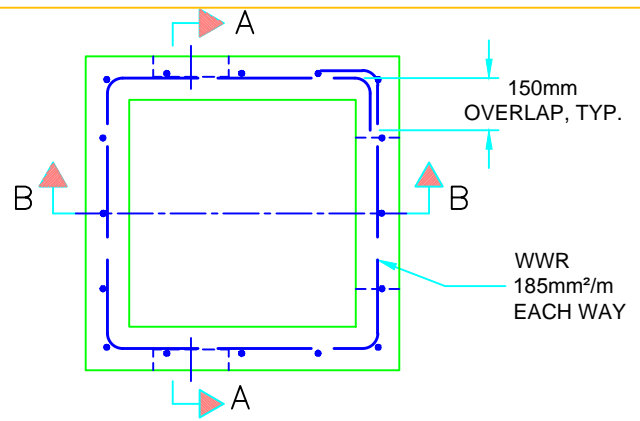
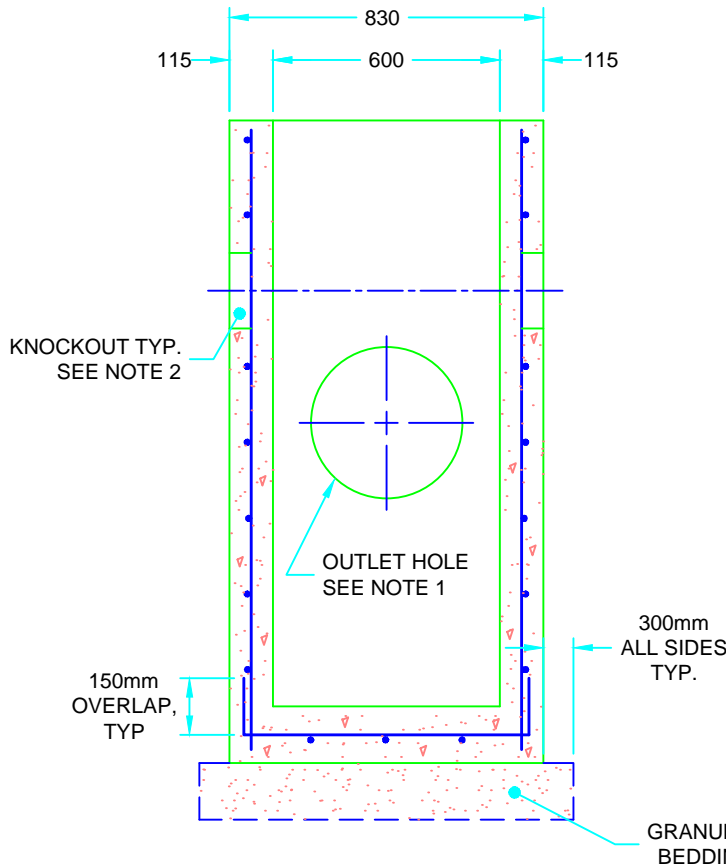


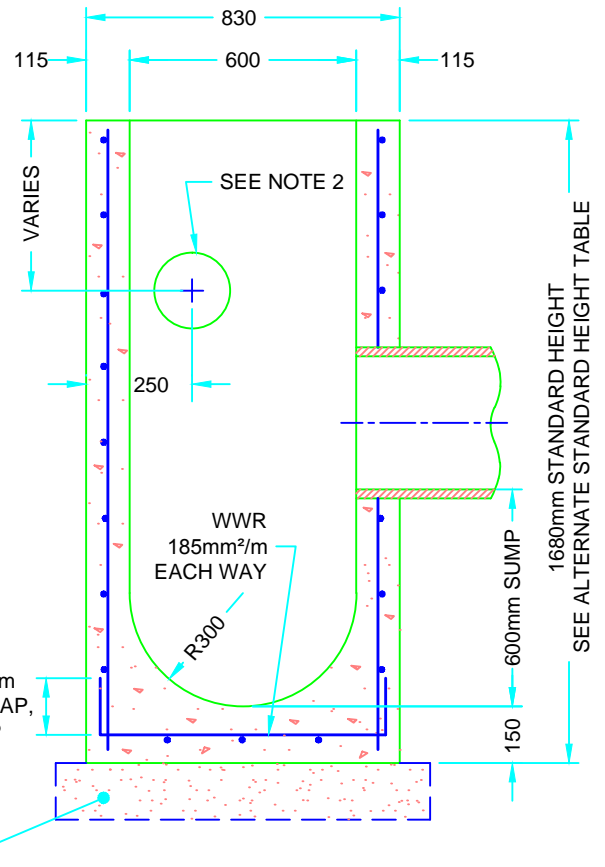
| ALTERNATE STANDARD HEIGHTS | |
|----------------------------|-----------|
| ALTERNATE | DIMENSION |
| A | 1980 |
| B | 1830 |
| C | 1520 |
| D | 1380 |



PLAN



SECTION A-A



SECTION B-B

NOTES:

1. OUTLET HOLE SIZE 525mm DIAMETER MAXIMUM, LOCATION AS REQUIRED.
2. 200mm DIAMETER KNOCKOUT TO ACCOMMODATE SUBDRAIN. KNOCKOUT SHALL BE 60MM DEEP.
3. CENTRE REINFORCING IN BASE SLAB AND WALLS ± 20 mm.
4. GRANULAR BACKFILL SHALL BE PLACED TO A MINIMUM THICKNESS OF 300mm ALL AROUND THE CATCH BASIN.
5. FRAME, GRATE, AND ADJUSTMENT UNITS SHALL BE INSTALLED ACCORDING TO STANDARD DRAWING 04250.
6. PIPE SUPPORT SHALL BE ACCORDING TO STANDARD DRAWING 04260.
7. ALL DIMENSIONS ARE NOMINAL.
8. ALL DIMENSIONS ARE NOMINAL AND IN MILLIMETERS UNLESS OTHERWISE SHOWN.

**MASTER
SPECIFICATIONS**

PRECAST CONCRETE CATCH BASIN

600 x 600mm

DRAWING NUMBER: 04350

DATE: MARCH 2016

SCALE: N.T.S.