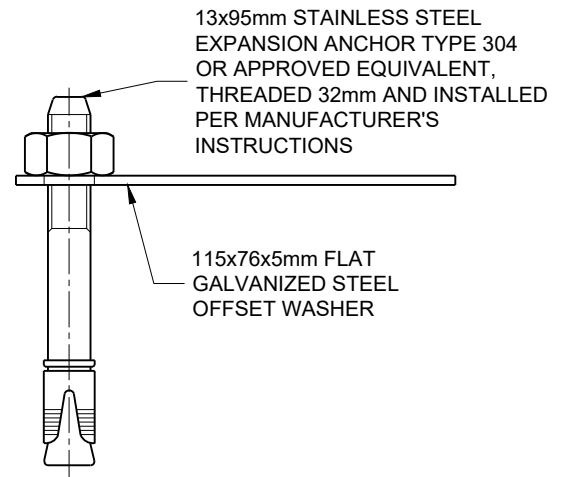


PLAN OF GRATE

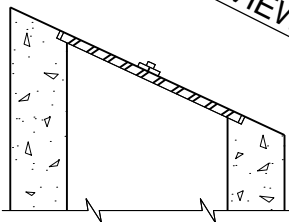
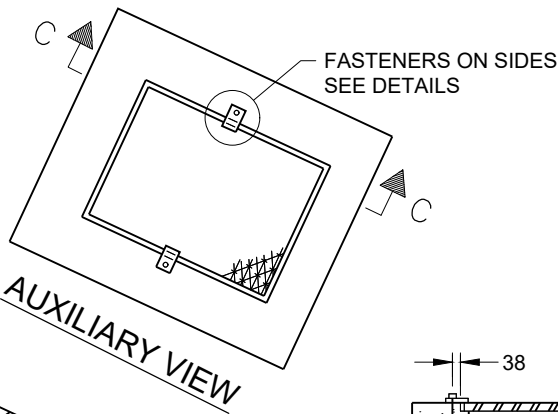
SECTION A-A



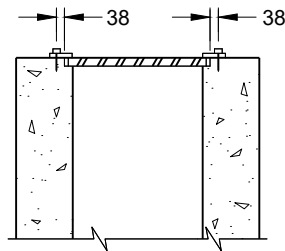
SECTION B-B



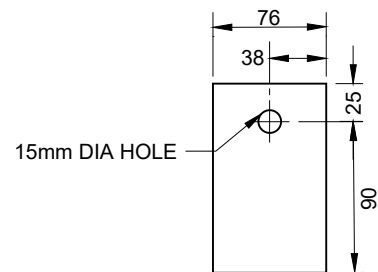
FASTENER DETAIL



SECTION C-C



FASTENER EMBEDMENT DETAIL



OFFSET WASHER DETAIL

NOTES:

1. FASTENER SHALL BE INSERTED TO MAINTAIN MINIMUM CONCRETE COVER REQUIREMENTS.
2. ALL STEEL COMPONENTS AND RIVETS SHALL BE GALVANIZED.
3. ALL DIMENSIONS ARE IN MILLIMETERS UNLESS OTHERWISE NOTED.
4. ALL WELDING TO BE IN ACCORDANCE WITH THE LATEST EDITION OF CSA W59.

MUNICIPAL MASTER SPECIFICATIONS

GALVANIZED STEEL HONEYCOMB GRATING FOR DITCH INLETS

DRAWING NUMBER 04410

DATE: APRIL 2023

SCALE: N.T.S.