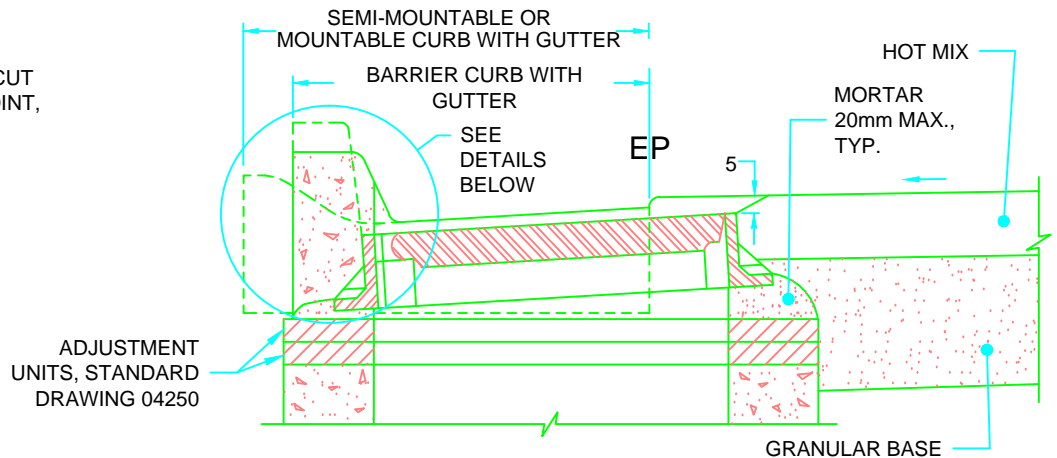
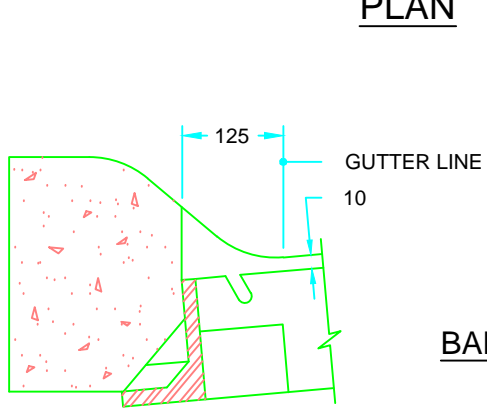


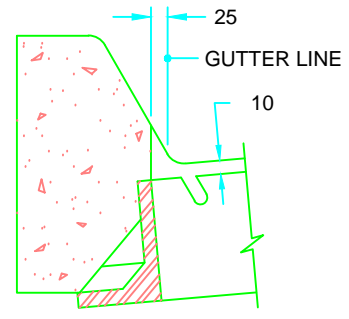
**PLAN**



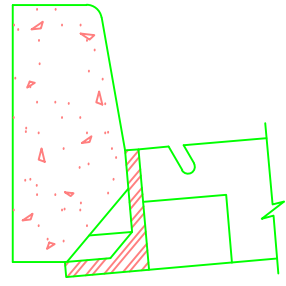
**SECTION A-A**



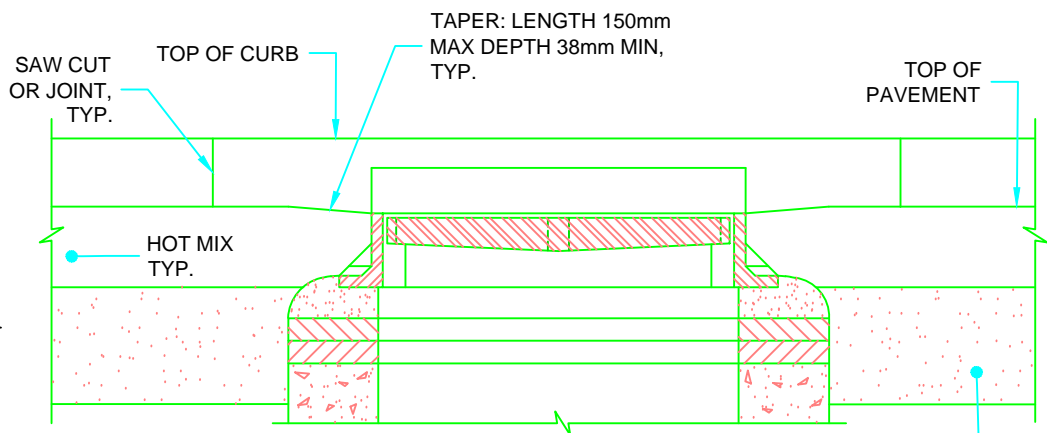
**SEMI-MOUNTABLE OR MOUNTABLE CURB WITH GUTTER**



**BARRIER CURB WITH GUTTER**



**BARRIER CURB**



**SECTION B-B**

**NOTES:**

1. ALL DIMENSIONS ARE IN MILLIMETERS UNLESS OTHERWISE SHOWN.

MASTER SPECIFICATIONS

CATCH BASIN FRAME WITH GRATE INSTALLATION AT CURB AND GUTTER

DRAWING NUMBER 04430

DATE: MARCH 2016  
SCALE: N.T.S.