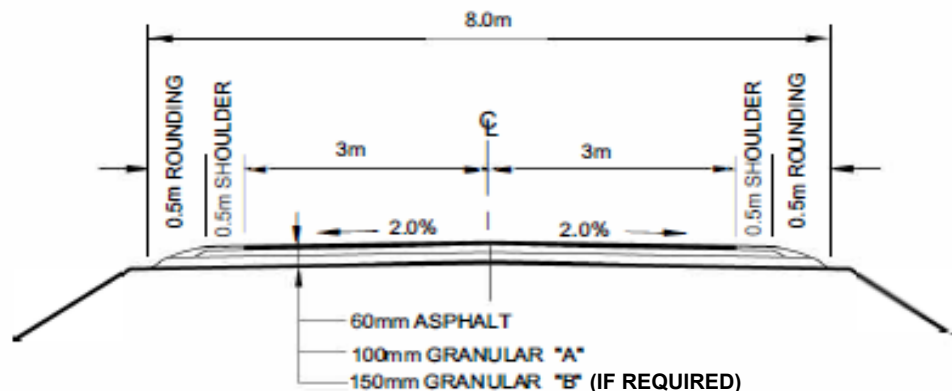
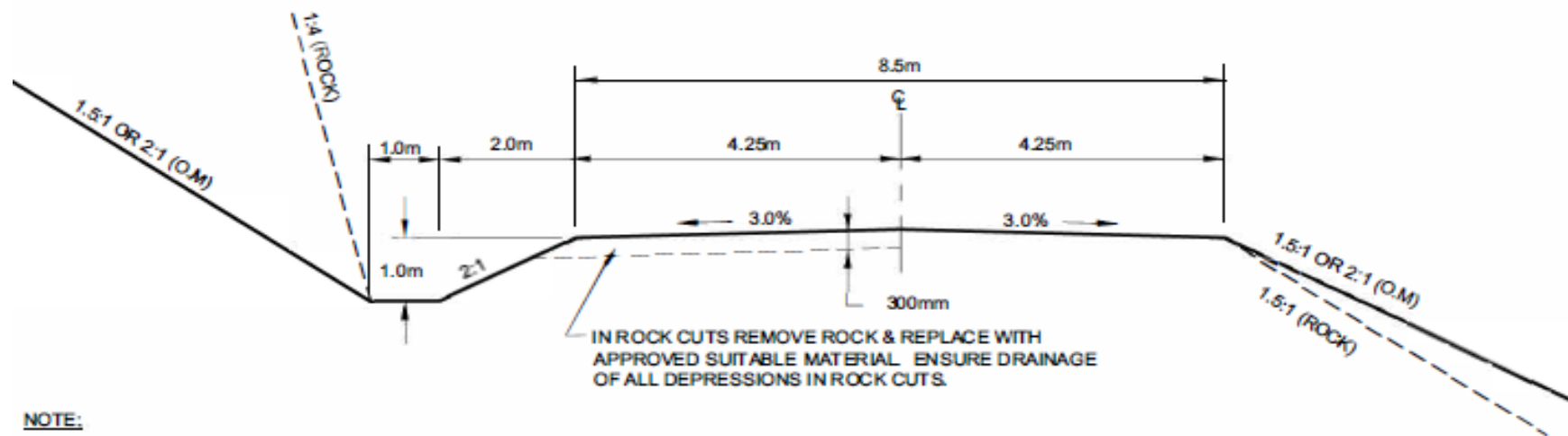


### MUNICIPAL ROAD



TYPICAL CROSS SECTION FOR MUNICIPAL ROAD FINAL CONSTRUCTION



**NOTE:**

IF SCARIFYING IS REQUIRED WIDTH OF SCARIFYING SHALL BE WIDTH OF PAVEMENT PLUS 300mm ON BOTH SIDES.

TYPICAL CROSS SECTION FOR MUNICIPAL ROAD SUB-GRADE CONSTRUCTION

MASTER SPECIFICATIONS

TYPICAL CROSS SECTION MUNICIPAL ROAD

DRAWING NUMBER 04650

DATE: MARCH 2022

SCALE: NTS